

This Owner's Manual is provided and hosted by [Appliance Factory Parts](#).



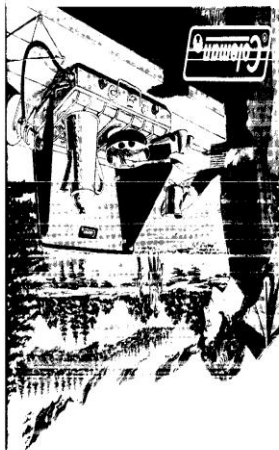
Coleman 5410A700 Owner's Manual

[Shop genuine replacement parts for Coleman
5410A700](#)



[Find Your Coleman Camping Parts - Select From 855 Models](#)

----- Manual continues below -----

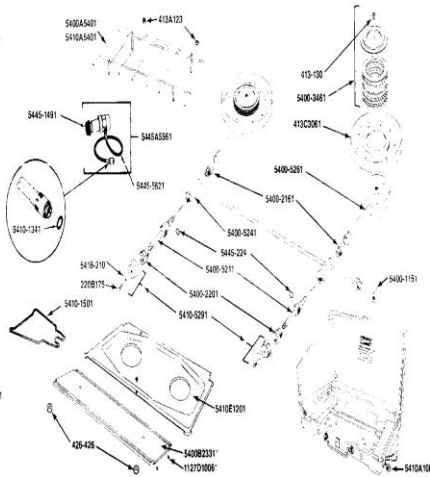


How To Use and Enjoy Your Coleman Propane Camp Stove Models 5400A700 and 5410A700

Parts List for Coleman Propane Camp Stove Models 5400A700 and 5410A700

PART NUMBER	DESCRIPTION
8B242	Enamel, Four Green
220B175	Screw, Self Tapping
413-130	Screw
413A123	Grate Clip
413C361	Burner Bowl
425-425	Fla Nut
1127D1005	Screw*
5400-1151	Lock Nut
5400-2161	Gas Lip
5400-2291	Valve Nut
5400-3451	Cap & Fillers
5400-5211	Valve Stem Assy
5400-5241	Valve Body Assy
5400A5401	Grate
5400B2331	Burner Bracket
5410-1341	O Ring
5410-1501	Home Support
5410-5291	Valve Knob Assy
5410A108	Dust Cover
5418-210	Disc
5410A5401	Grate
5410E1201	Stove Top
5445-224	O Ring, Valve
5445-1491	Knob, Regulator
5445-5821	Hose Assy, Regulator
5445A5561	Regulator

*Special for 5400A700 only.



WARNING:

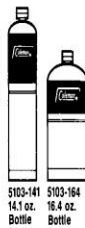
1. This stove consumes air (oxygen). Do not use in unventilated areas. Ample ventilation must be provided. Provide additional ventilation for persons and other fuel burning appliances occupying the same enclosed area.
2. Use as a cooking appliance only. Never alter in any way or use with any device or part not expressly approved by Coleman. Never use as a space heater. Never leave stove unattended while burning.
3. Never install or remove propane bottle while stove is lighted, near flame (including pilot lights), other ignition sources or while stove is hot to touch.
4. Never store propane near flame (including pilot lights), other sources of ignition or where temperatures exceed 130°F.
5. Never allow tents, sleeping bags, clothing or any flammable material to come within three feet of the top and one foot of all sides of the stove.
6. Always use propane bottle in upright position or with Coleman bottle support. Protect propane bottle and hose from excessive heat.
7. Never refill disposable propane bottles.
8. During stove set up, check all connections and hoses for leaks applying soapy water with cloth or brush. Never use a flame. Keep rubber hoses away from flame and sharp objects.
9. Keep all connections and fittings clean.
10. Propane is heavier than air and will accumulate in low places. If you smell gas, leave the enclosure immediately and ventilate thoroughly.
11. Clean stove frequently to avoid grease accumulations and possible grease fires.
12. Keep out of reach of children.

Things You Should Know:

1. It is unsafe and illegal in some places to store or use L.P. bottles of greater than 2 1/2 lb. water capacity (approximately 1 lb. propane) in occupied enclosures.
2. The usual storage areas for camping and picnic equipment is the basement, attic, or garage. To avoid the accumulation of dust, cobwebs, etc., that is common in these areas, place your stove in a plastic bag and seal it with a rubber band.
3. For repair service, call 1-800-835-3278 TOLL FREE for location of your nearest Coleman service center. If stove must be mailed to service center, attach your name, address, and a description of problem to product and mail to service center prepaid. If necessary to write the service center or the factory, refer to your stove by specific model number: 5400A700 or 5410A700.

Propane Fuel

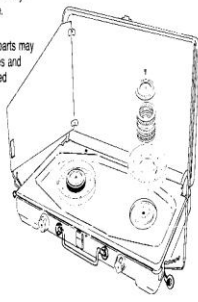
Two disposable propane bottles carrying the Coleman name. A standard 14.1 oz. bottle will serve all the needs now utilizing this size. A 16.4 oz. disposable bottle is also available for better fuel economy and a longer burning time.



Model 5410A700 Stove Top Removal & Reassembly

1. Remove grate by lifting straight up.
2. Remove screw in center of each burner and lift off burner assembly.
3. The stove top may then be removed for cleaning.
4. To reassemble, replace stove top.
5. Replace burner assembly. (Make sure to alternate flat and corrugated rings in stacking.)
6. Replace burner cap on top of burner assembly. Be sure the burner rings are carefully aligned to insure full burner performance. Tighten screw securely.
7. Replace grate.

Caution: Metal parts may have sharp edges and should be handled with care.



PROPANE ACCESSORIES

MODEL 5410A1601 HOSE ADAPTOR
Allows operation of two appliances from Coleman regulator.

NOTE: Hose adaptor must be used with Coleman extension hoses (Model 5410-7931).

MODEL 5410-751 11# REFILLABLE PROPANE BOTTLE AND VALVE
11 lb. capacity, with standard P.O.L. valve.

Bottles are shipped and sold empty.

MODEL 5410-7901 BULK ADAPTOR
Allows Coleman propane appliances to operate from refillable propane bottles.

MODEL 5410-7931 10' EXTENSION HOSE
Used with bulk adaptor (Model 5410-7901) when Coleman propane appliances are operated from a refillable propane bottle. Hose allows appliance to be placed at a distance from fuel source.

MODEL 5410-785 RECREATIONAL VEHICLE ADAPTOR
Allows dual regulator hook-up from recreational vehicle bulk propane bottle.

Coleman Limited 1 Year Warranty

This product is warranted to the retail consumer for one year from date of retail purchase against defects in material and workmanship and to be replaceable. If a Customer Information Card is enclosed, it is to be mailed, research purposes only and its return is optional.

WHAT IS COVERED: Replacement parts and labor. Transportation charges to Consumer for repaired Product.

WHAT IS NOT COVERED: Transportation charges to Coleman for defective Product. Damages caused by abuse or failure to perform normal maintenance—see owner's manual. Sales outside of the United States. Any other expense. Consequential damages, incidental damages, or incidental expenses, including damage to property. Some states do not allow the exclusion or limitation of incidental or consequential damages, so the above limitation or exclusion may not apply to you.

HOW TO OBTAIN WARRANTY PERFORMANCE: Locate nearest Coleman Service Center by calling 1-800-835-3278 TOLL FREE. Attach to Product your name, address, description of problem, phone number and proof of date of retail purchase (sales slip). Package and return Product to Coleman Service Center, transportation charges prepaid.

IMPLIED WARRANTIES: Any implied warranties, including the implied warranty of merchantability and fitness for a particular purpose, are limited in duration to one year from date of retail purchase. Some states do not allow limitation on how long an implied warranty lasts, so the above limitation may not apply to you.

To the extent any provision of this warranty is prohibited by federal, state, or municipal law and cannot be enforced, it is null and void. This warranty gives you specific legal rights, and you may also have other rights which vary from state to state.

THE COLEMAN COMPANY, INC. 415 N. Minnesota Wichita, Kansas 67214

Made in United States of America
THE COLEMAN COMPANY, INC.
General Office and Factory, Wichita, Kansas U.S.A. 67201
Canadian Office and Factory, Toronto, Canada

1 Follow Instructions And Warnings To Avoid Possible Injury or Property Damage.

WARNING:

1. This stove consumes air (oxygen). Do not use in unventilated areas. Ample ventilation must be provided. Provide additional ventilation for persons and other fuel burning appliances occupying the same enclosed area.
2. Use as a cooking appliance only. Never alter in any way or use with any device or part not expressly approved by Coleman. Never use as a space heater. Never leave stove unattended while burning.
3. Never install or remove propane bottle while stove is lighted, near flame (including pilot lights), other ignition sources or while stove is hot to touch.
4. Never store propane near flame (including pilot lights), other sources of ignition or where temperatures exceed 130°F.
5. Never allow tents, sleeping bags, clothing or any flammable material to come within three feet of the top and one foot of all sides of the stove.
6. Always use propane bottle in upright position or with Coleman bottle support. Protect propane bottle and hose from excessive heat.
7. Never refill disposable propane bottles.
8. During stove set up, check all connections and hoses for leaks applying soapy water with cloth or brush. Never use a flame. Keep rubber hoses away from flame and sharp objects.
9. Keep all connections and fittings clean.
10. Propane is heavier than air and will accumulate in low places. If you smell gas, leave the enclosure immediately and ventilate thoroughly.
11. Clean stove frequently to avoid grease accumulations and possible grease fires.
12. Keep out of reach of children.

2 To Set Up

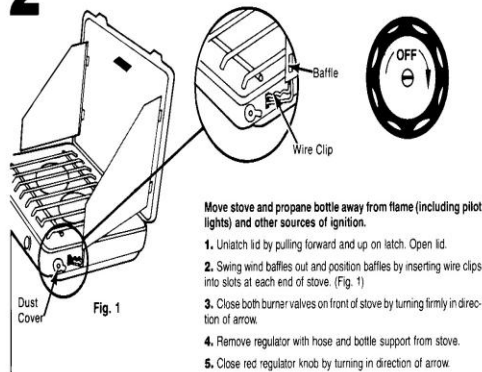


Fig. 1

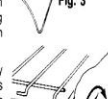
Move stove and propane bottle away from flame (including pilot lights) and other sources of ignition.

1. Unlatch lid by pulling forward and up on latch. Open lid.
2. Swing wind baffles out and position baffles by inserting wire clips into slots at each end of stove. (Fig. 1)
3. Close both burner valves on front of stove by turning firmly in direction of arrow.
4. Remove regulator with hose and bottle support from stove.
5. Close red regulator knob by turning in direction of arrow.

14.1 & 16.4 oz. Non-Refillable Bottles

TIGHTEN ALL CONNECTIONS FIRMLY BY HAND. Never use wrench or pliers.

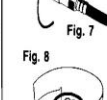
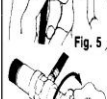
6. Remove protective cap from top of propane bottle. Screw propane bottle into regulator by turning to right. Take care not to cross thread. (Fig. 2)
7. Snap bottle support onto neck of propane bottle. Support bottle as shown in Fig. 3.
8. Remove dust cover from stove inlet. Screw hose fitting into stove inlet by pushing in and turning to right. (Fig. 4)
9. Turn red regulator knob fully open. Check all connections and hoses for leaks applying soapy water with cloth or brush. NEVER USE A FLAME TO CHECK FOR LEAKS.
10. Close red regulator knob by turning in direction of arrow.



Large Refillable Bottle

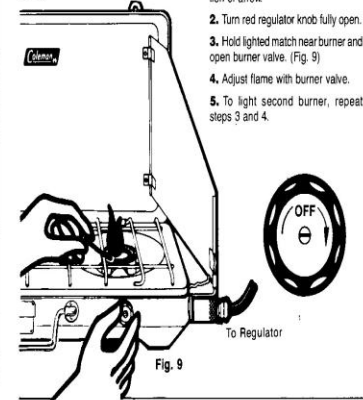
TIGHTEN ALL CONNECTIONS FIRMLY BY HAND. Never use wrench or pliers.

6. Screw adapter into regulator by pushing in on hand wheel and turning to right. (Fig. 5)
7. Make sure valve outlet on bottle is clean. Screw adapter into bottle valve by pushing hand wheel forward and turning to LEFT. (Fig. 6)
8. Screw regulator hose into extension hose by pushing in and turning to right. (Fig. 7)
9. Remove dust cover from stove inlet. Screw extension hose into stove inlet by pushing in and turning to right. (Fig. 4)
10. Open bottle valve at least one full turn. (Fig. 8) Turn red regulator knob fully open. (Fig. 8) Check all connections and hoses for leaks applying soapy water with cloth or brush. NEVER USE A FLAME TO CHECK FOR LEAKS.
11. Close red regulator knob in direction of arrow.



Periodically check all connections and hoses for leaks using soapy water. NEVER USE A FLAME TO CHECK FOR LEAKS.

3 To Light



1. Close burner valves firmly in direction of arrow.
2. Turn red regulator knob fully open.
3. Hold lighted match near burner and open burner valve. (Fig. 9)
4. Adjust flame with burner valve.
5. To light second burner, repeat steps 3 and 4.

4 To Turn Off

1. Close burner valves firmly in direction of arrow.
2. Close red regulator knob by turning in direction of arrow.

5 To Pack Or Store

Move stove and propane bottle away from flame (including pilot lights) and other sources of ignition.

14.1 & 16.4 oz. Non-Refillable Bottles

1. ALWAYS disconnect fuel bottle from regulator.
2. Remove hose from stove inlet and replace dust cover.
3. Store regulator with hose and bottle support under stove grate or in safe, clean place.
4. Fold in wind baffles, close lid and latch.

Large Refillable Bottle

1. ALWAYS close bottle valve firmly.
2. Remove adapter from bottle valve by turning hand wheel to RIGHT.
3. Remove hose from stove inlet and replace dust cover.
4. Store regulator, hose, and adapter under stove grate or in safe, clean place.
5. Fold in wind baffles, close lid and latch.

