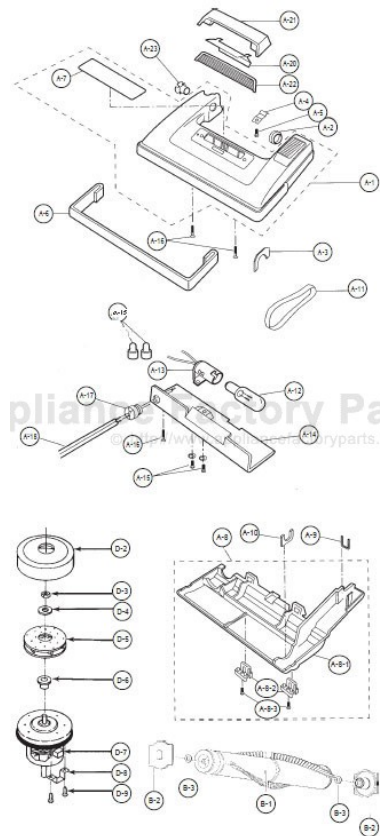


This Owner's Manual is provided and hosted by Appliance Factory Parts.



PANASONIC MC-5150 Owner's Manual

[Shop genuine replacement parts for PANASONIC
MC-5150](#)



[Find Your PANASONIC Vacuum Cleaner Parts - Select From 665 Models](#)

----- Manual continues below part list -----

Available Replacement Parts for PANASONIC MC-5150

P-77020	Screw.
PR-1015	BELT, FLAT, UPRIGHTS, 1 PACK
PR-1016	BELT, PANASONIC (2 PACK)

Original & Replacement

PANASONIC

Model 5117, 5140, 5150, 5155

PARTS LISTING (NOZZLE HOUSING)

KEY	PART NO.	DESCRIPTION
A-1	NLA	Nozzle Housing, 5117
A-1	P-73033	Nozzle Housing, 5140
A-1	NLA	Nozzle Housing, 5150
A-1	NLA	Nozzle Housing, 5155
A-2	P-73905	Plastic Holder
A-3	P-76425	Tight Packing
A-4	P-77205	Pedal Spring
A-5	P-77020	Screw
A-6	NLA	Bumper Order P-74018
A-6	NLA	Bumper Order P-74018
A-6	P-74018	Furniture Guard, 5140, 5155
A-7	P-02T-9H00U	Top Mark, 5117
A-7	P-02T-ZS00U	Top Mark, 5140
A-7	P-02T-ZT10U	Top Mark, 5150
A-7	P-02T-ZR00U	Top Mark, 5155
A-8	P-76015	Lower Plate (Unit)
A-8-1	P-27AZSZKU13	Lower Plate (Only)
A-8-1	PR-7600	Bottom Plate, Plastic W/Latch
A-8-2	P-76940	Latch
A-8-2	PR-7601	Bottom Plate Clip, Plastic
A-8-3	P-77020	Screw
A-9	P-76315	Belt Cover
A-10	P-76740	Body Packing
A-11	P-MC210B	Belt
A-11	PR-1015	Belt, UB Style
A-12	FA-3500	Bulb, 25 Watt 5155
A-13	P-93H-F800V	Lamp Holder, 5155
A-14	P-85H-V20	Bulb Supporter, 5155
A-15	P-XYN3+C6S	Screw, 5155
A-16	P-77020	Screw, 5155
A-17	P-58E-V30	Wire Bushing, 5155
A-18	P-38G-V200U	Wire Cord (Lead Wire Black 5155)
A-19	SS-3270	Wire Connector 5155
A-20	P-84H-V20	Reflection Plate, 5155
A-21	P-86H2F1KU09	Reflection Plate Supporter, 5155
A-22	P-21H-V20	Window, 5155
A-23	P-73900	Plastic Shaft

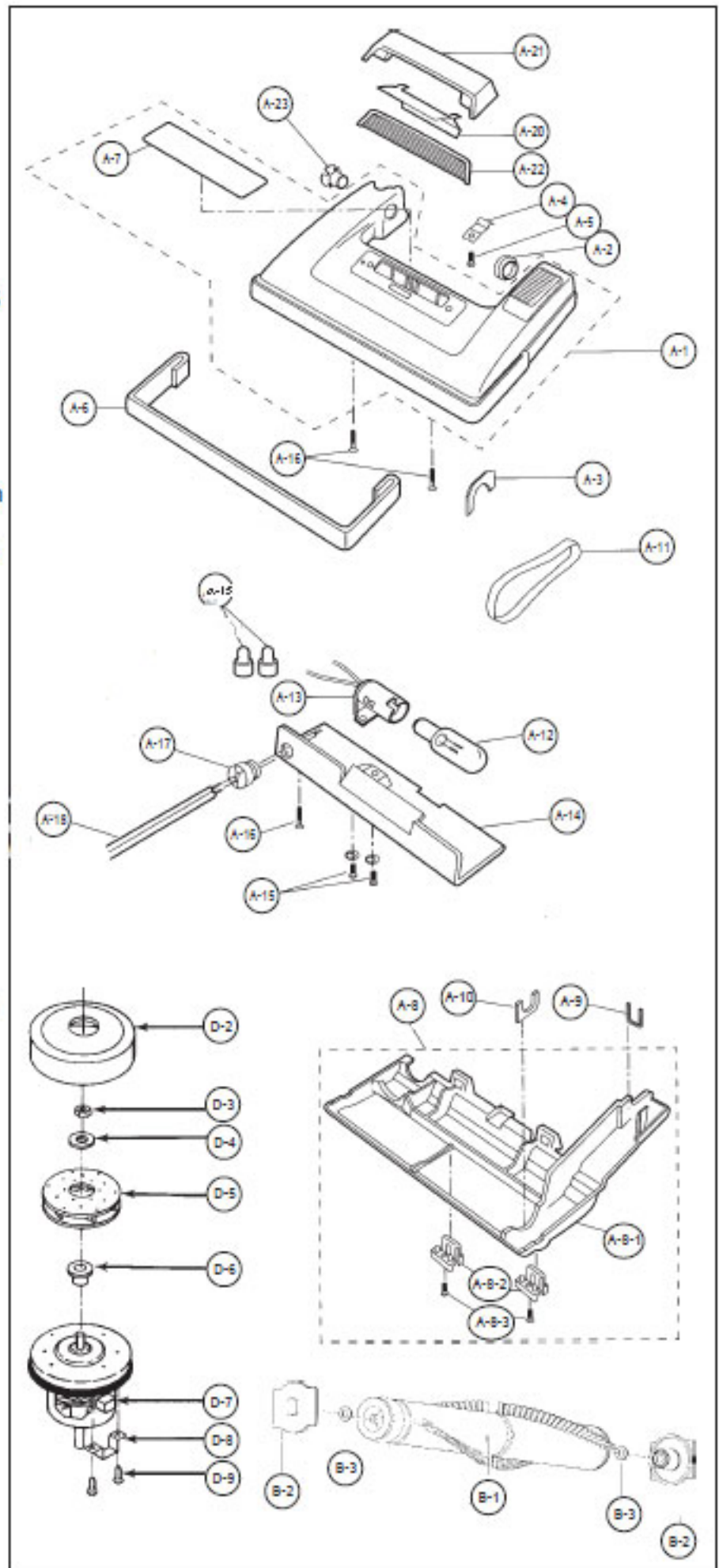
PARTS LIST (AGITATOR ASSEMBLY)

KEY	PART NO.	DESCRIPTION
B-1	P-20020	Agitator Unit, Wood
B-2	P-20525	End Cap "A"
B-3	P-681424	Washer

See Page 27-10 Key# B-1B for 5117 Brushroll

PARTS LIST (FAN REPLACEMENT)

KEY	PART NO.	DESCRIPTION
D-2	P-53F-AV00U	Fan Case
D-3	P-33F-AC00U	Nut
D-4	P-62F-AV00U	Washer
D-5	P-28525	Fan
D-6	P-60F-AV00U	Spacer
D-7	P-63050	Brush Assembly
D-8	P-02D-V300U	Bracket
D-9	P-40D-V300U	Screw



NLA = No Longer Available