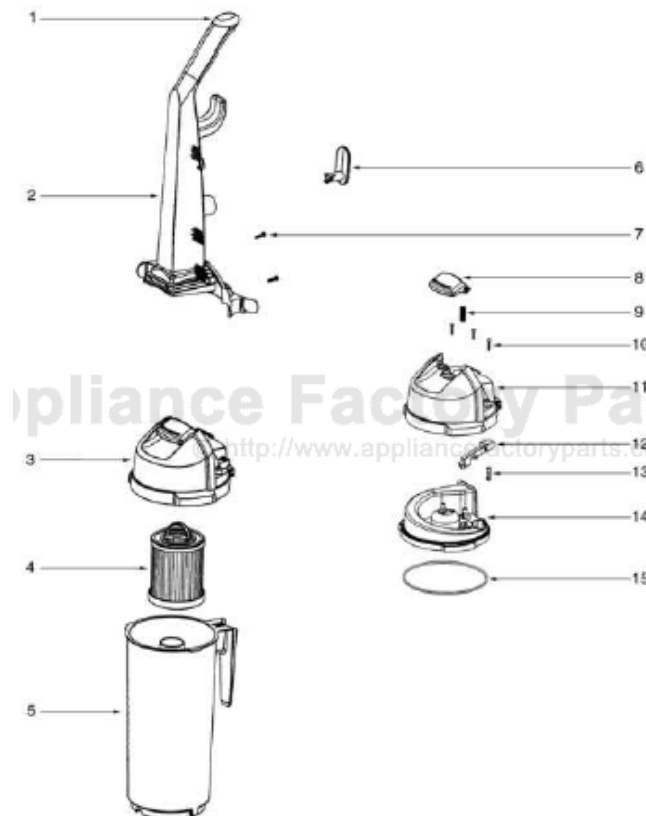


This Owner's Manual is provided and hosted by [Appliance Factory Parts](http://www.appliancefactoryparts.com).



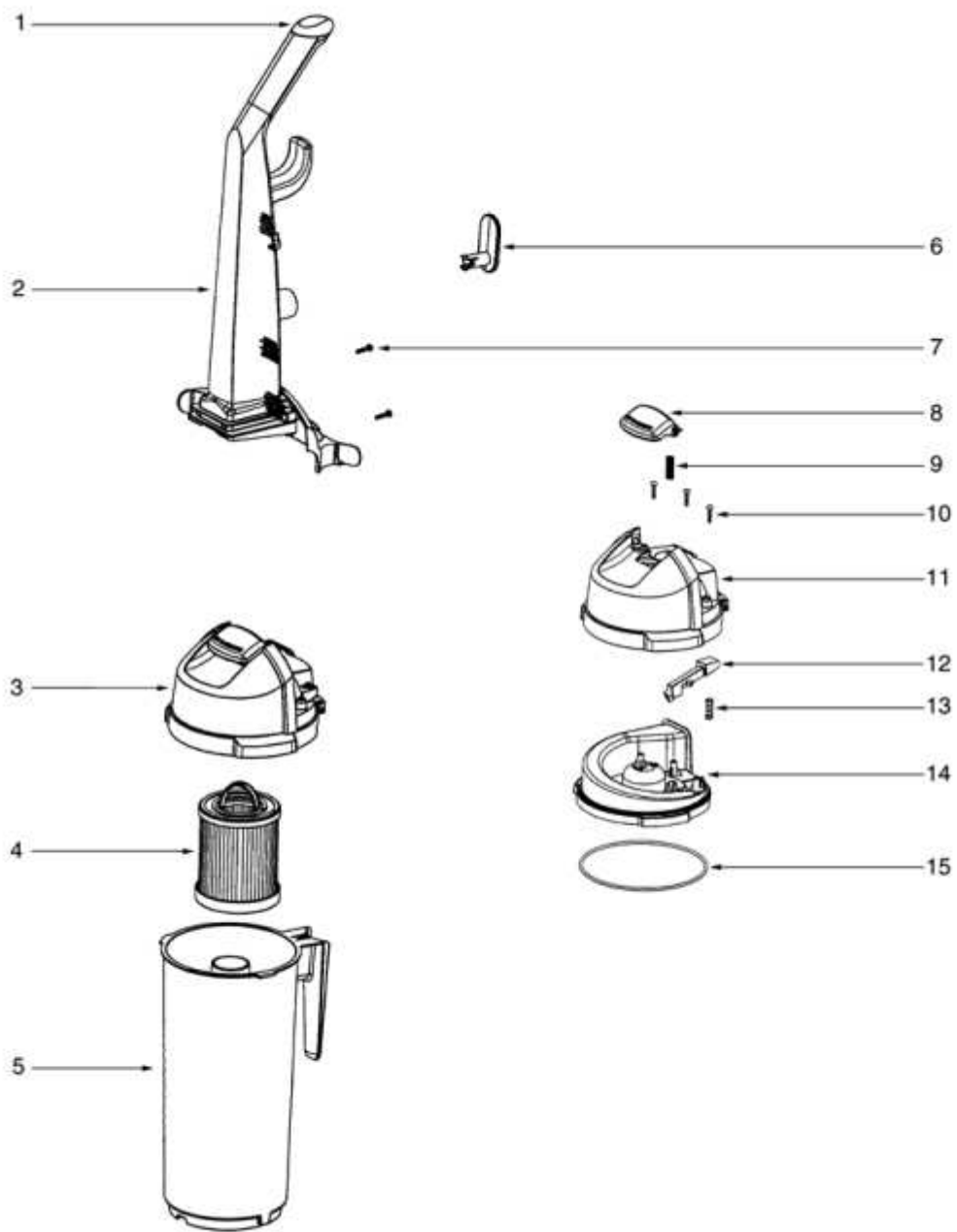
Eureka 5847BV Owner's Manual

[Shop genuine replacement parts for Eureka 5847BV](#)

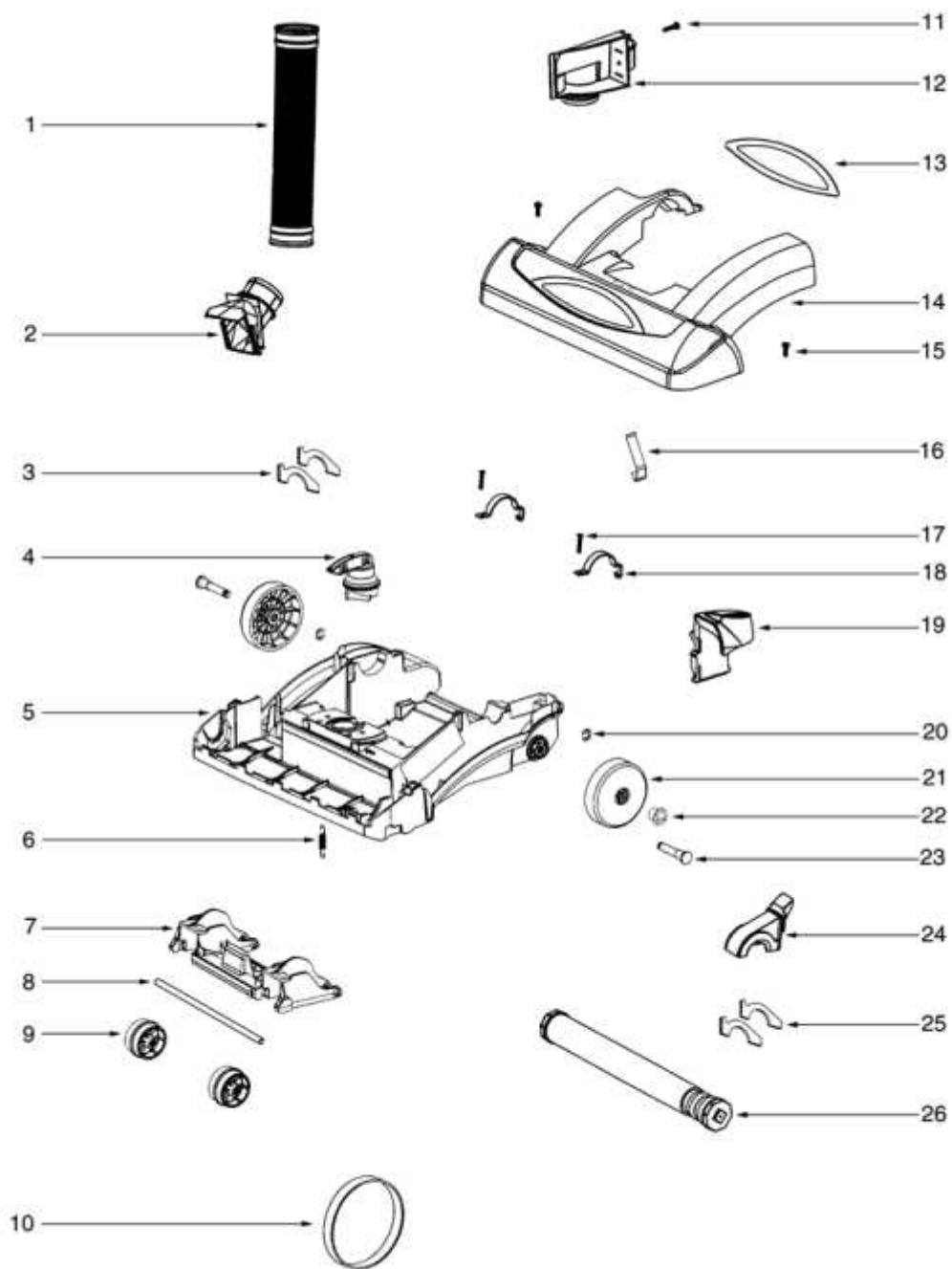


[Find Your Eureka Vacuum Cleaner Parts - Select From 853 Models](#)

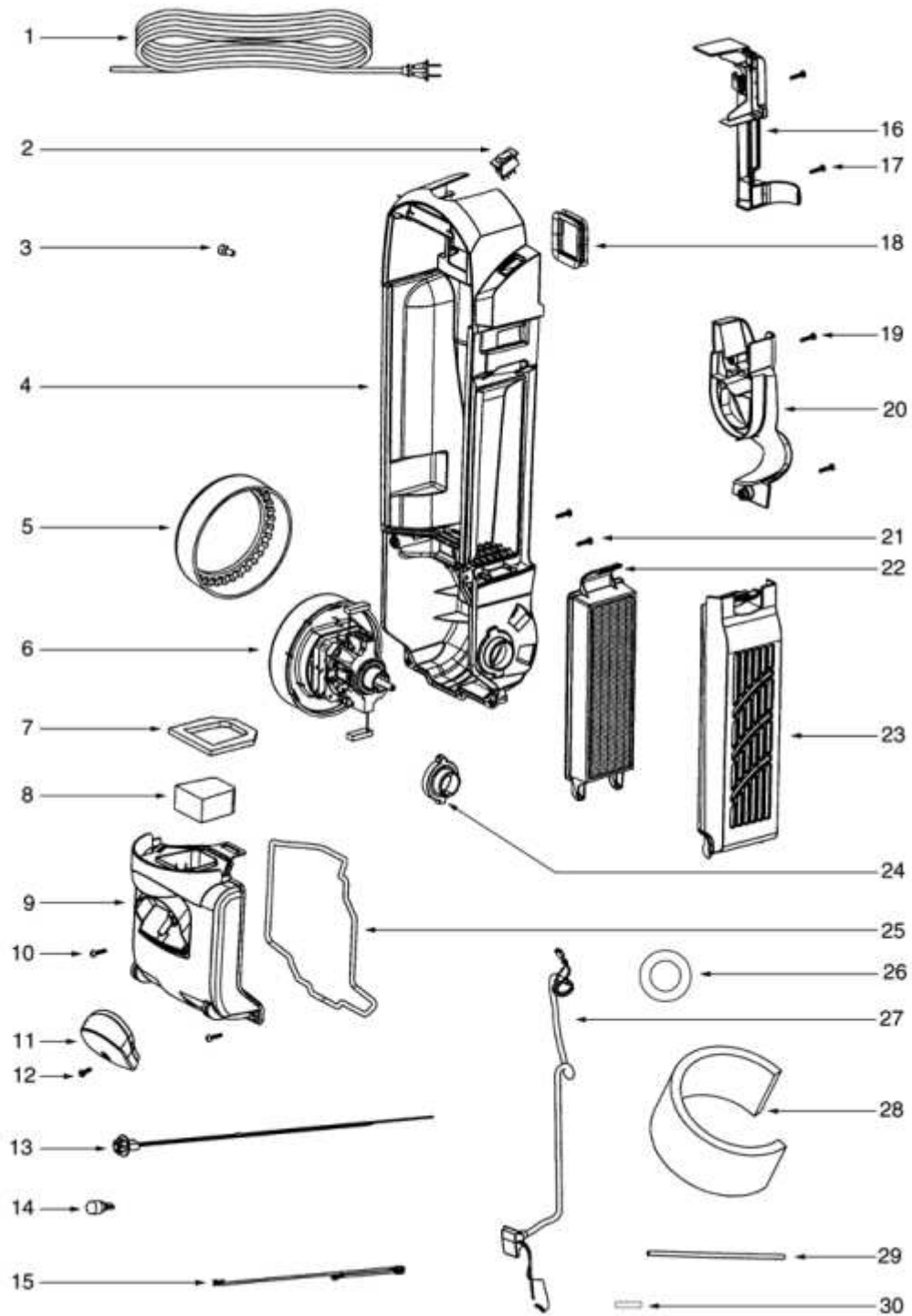
----- Manual continues below -----



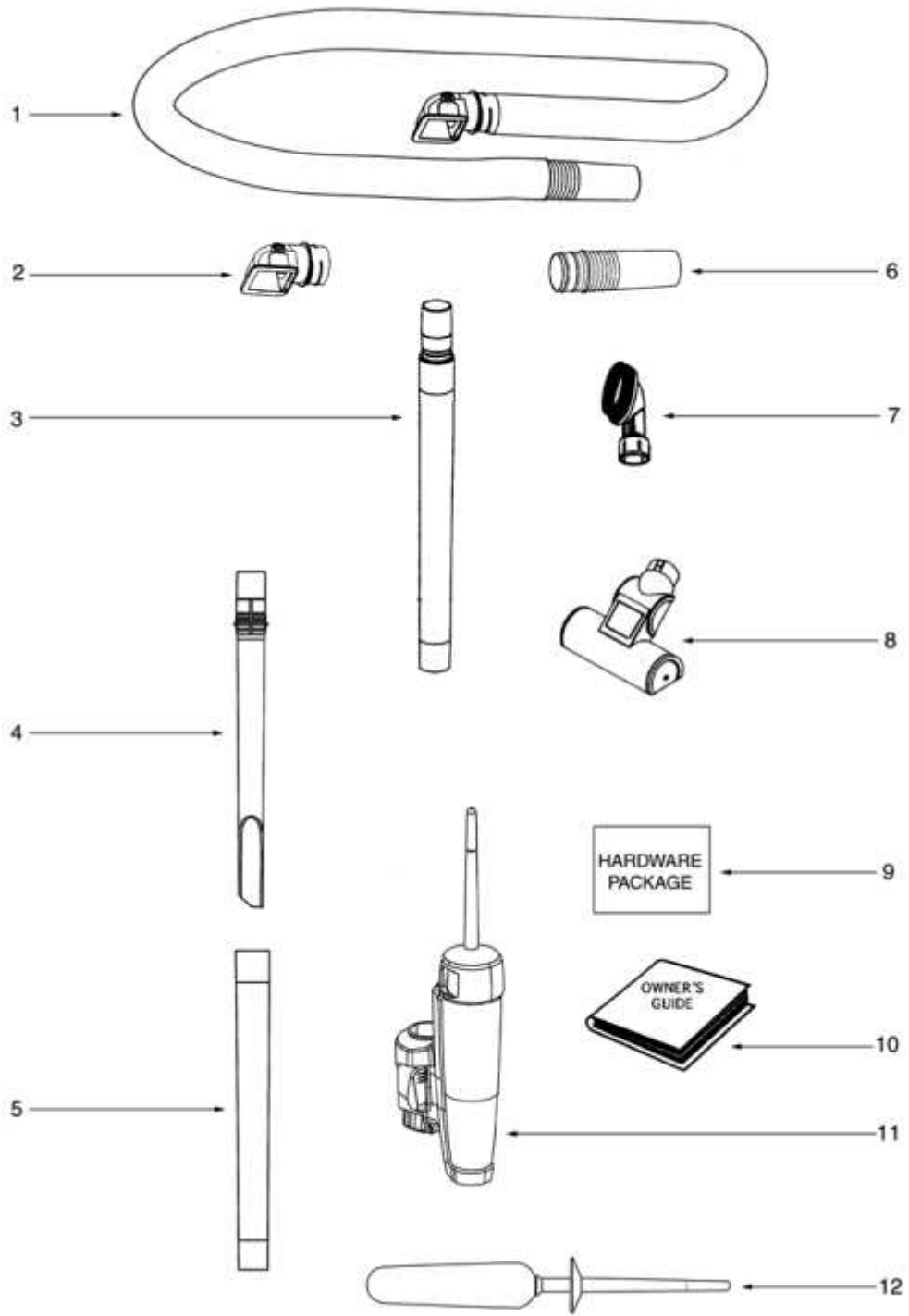
Ref #	Part	Description	Comments	Qty
1	71235-119N	CAP - HANDLE		
2	71473	HANDLE ASSEMBLY		
3	71537-5	CYCLONE ASSEMBLY		
4	61825	DUST CUP FILTER PACKAGE D		
5	61864-1	DUST CUP ASSY - PKGD		
6	70864A-119N	HOOK - CORD		
7	53238-44	SCREW PACKAGE		
8	71479-333N	LATCH - DUST CUP		
9	61866	SPRING PACKAGE		
10	53238-27	SCREW PACKAGE		
11	72004-5	CYCLONE ASSEMBLY		
12	71785-119N	CATCH - FILTER IN PLACE		
13	61867	SPRING PACKAGE		
14	71451-119N	CYCLONE		
15	71475	GASKET - CYCLONE		
	71537-3	CYCLONE ASSEMBLY		
	72004-3	CYCLONE ASSEMBLY		
	71537-2	CYCLONE ASSEMBLY		
	72004-2	TOP COVER & GRAPHICS ASSE		
	72004-1	CYCLONE ASSEMBLY		
	71537-1	CYCLONE ASSEMBLY		



Ref #	Part	Description	Comments	Qty
1	71466	BASE HOSE ASSY		
2	71447-119N	BASE HOSE ASSY		
3	71673A	FELT - BASE		
4	71448-333N	KNOB - HEIGHT ADJUSTMENT		
5	61877-2	BASE ASSEMBLY - PACKAGED		
6	54943	SPRING PACKAGE		
7	71446-119N	CARRIAGE - WHEEL		
8	71478	AXLE - FRONT		
9	39173A-119N	WHEEL - FRONT		
10	61120A	BELT PKG ASSY-(U-EXTENDED		
12	71726-119N	BASE HOSE ASSY		
13	72178-1	DELUXE 15" LENS & GRAPHIC		
14	61878-5	HOOD ASSEMBLY - PACKAGED		
15	53238-44	SCREW PACKAGE		
16	71574	SPRING - HANDLE RELEASE		
17	53238-27	SCREW PACKAGE		
18	71487	CLAMP - MOTOR		
19	71457-333N	RELEASE - HANDLE		
20	54432-1	PACKAGE - RETAINING RING		
21	72117-119N	WHEEL - REAR		
22	72113-1	BUSHING - AXLE		
23	38590A	AXLE - REAR		
24	71741	BELT CAP ASSEMBLY		
25	71672A	FELT - BELT CAP		
26	61869-1	BRUSHROLL ASSY - CTND		



Ref #	Part	Description	Comments	Qty
1	38680-29	SUPPLY CORD & TERMINAL AS		
2	39455-1	SWITCH - ROCKER		
3	60192-1	WIRE SPLICE 5		
4	72126B	REAR HOUSING ASSEMBLY		
5	71649	GASKET - MOTOR CAN (Eurek		
6	60261-11	MOTOR ASSEMBLY - PACKAGED		
7	71483	GASKET - DIRT CUP LOWER		
8	71480	FILTER - PRE-MOTOR		
9	61863-5	MOTOR COVER ASSY - PACKAG		
11	71460-313N	LENS - HEADLAMP		
12	53238-44	SCREW PACKAGE		
13	70701-2	SOCKET & TERMINAL ASSY		
14	57940-2	LAMP - HEADLIGHT		
15	39252-1	THERMOSTAT & TERMINAL ASS		
16	72127	SWITCH COVER ASSEMBLY		
18	71482	GASKET - INTAKE		
20	71455-119N	TOOL PACK - LOWER		
21	53238-27	SCREW PACKAGE		
22	61840	WASHABLE HEPA FILTER - PK		
23	72006-2	FILTER COVER & GRAPHICS A		
24	70084	BUSHING - MOTOR SUPPORT		
25	71484	GASKET - MOTOR COVER		
26	71969-1	GASKET - MOTOR HUB		
27	71465	CORD - JUMPER		
28	72224-1	FOAM - SOUND		
29	70651-1	TUBE - FLEXIBLE		
30	72167	PLUG		
	61830	HEPA FILTER PKG - STYLE H		
	61863-2	MOTOR COVER ASSY - PACKAG		
	61863-3	MOTOR COVER ASSY - PACKAG		



Ref #	Part	Description	Comments	Qty
1	61865-3	HOSE ASSY - CTND		
2	71725-313N	ADAPTER - HOSE		
3	71492A	NESTING WAND ASSEMBLY		
4	71956A--355N	CREVICE WAND		
5	71973-119N	WAND - OUTER		
6	70559A-119N	COUPLING - HOSE		
7	60990-2	COMBINATION BRSH BRSTLD-C		
8	28612A	TURBO NOZZLE ASSY (MODEL		
9	72323	PACKAGE - HARDWARE		
10	71496A	OWNER'S GUIDE		
11	72293	ELECTROSTATIC DUSTER ASSE		
12	72498	DUSTER ASSEMBLY		