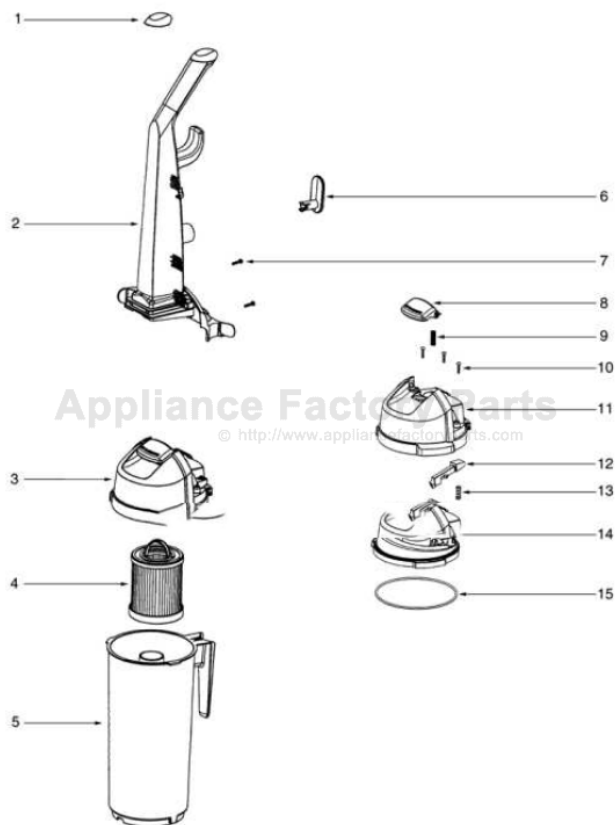


This Owner's Manual is provided and hosted by [Appliance Factory Parts](http://www.appliancefactoryparts.com).



Eureka 5849E Owner's Manual

[Shop genuine replacement parts for Eureka 5849E](#)

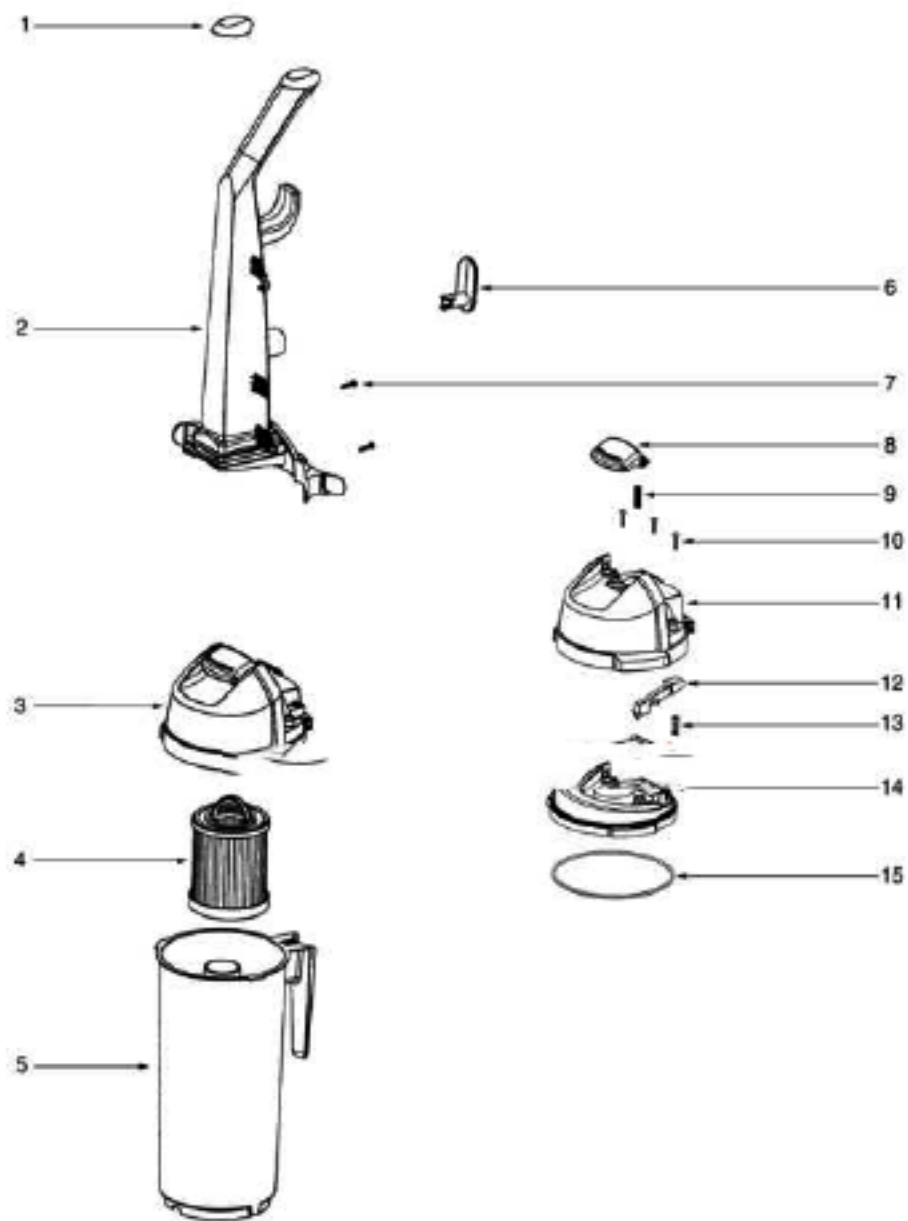


[Find Your Eureka Vacuum Cleaner Parts - Select From 855 Models](#)

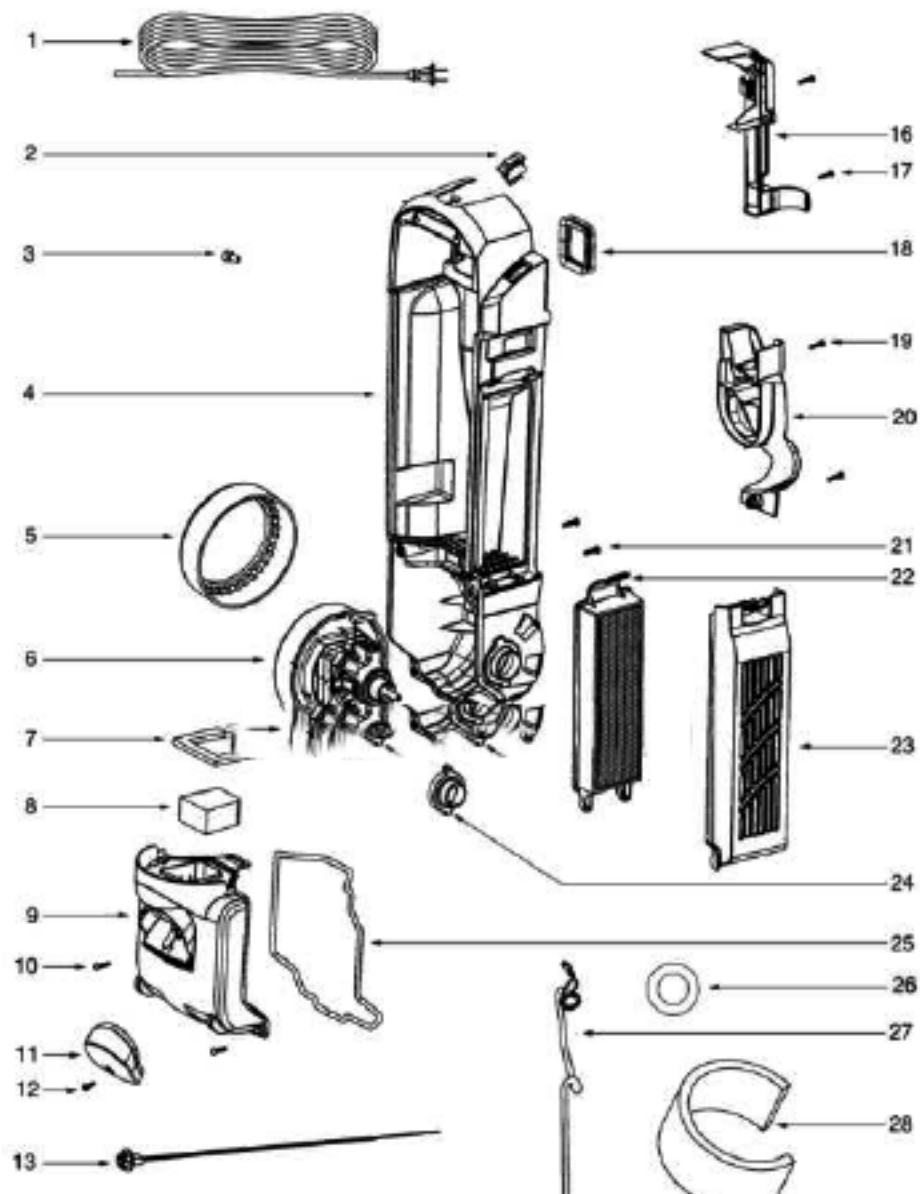
----- Manual continues below part list -----

Available Replacement Parts for Eureka 5849E

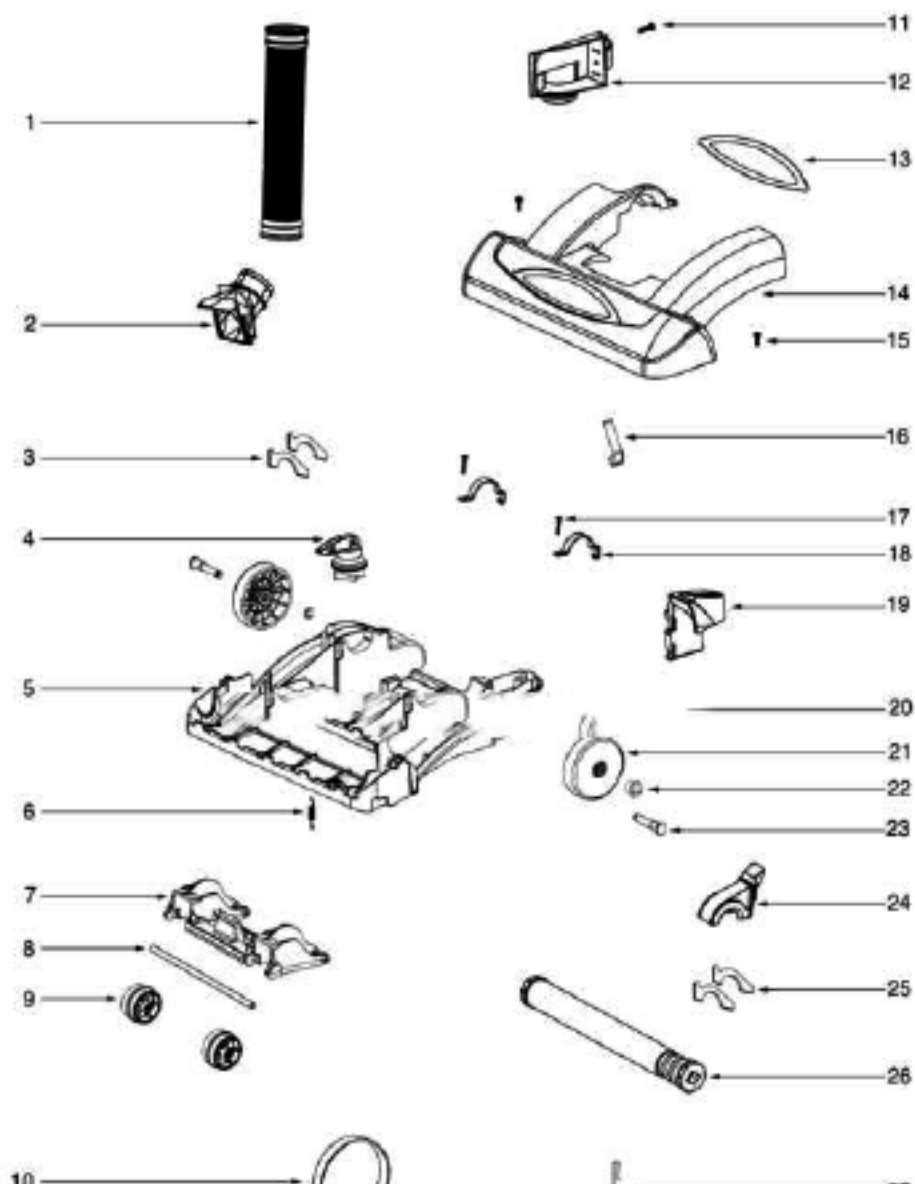
| | |
|------------------------------|-------------------------------------|
| e-39266 | BELT OEM EUREKA EXTENED LIFE 1 PACK |
| E-61830 | STYLE HF5 EUREKA HEPA FILTER |
| E-71492 | WAND, NESTING W/CREVICE TOOL |
| e-60990-2 | BRUSH |
| E-71725-313N | ADAPTER-HOSE |
| E-61865-4 | hose assembly cartoned |



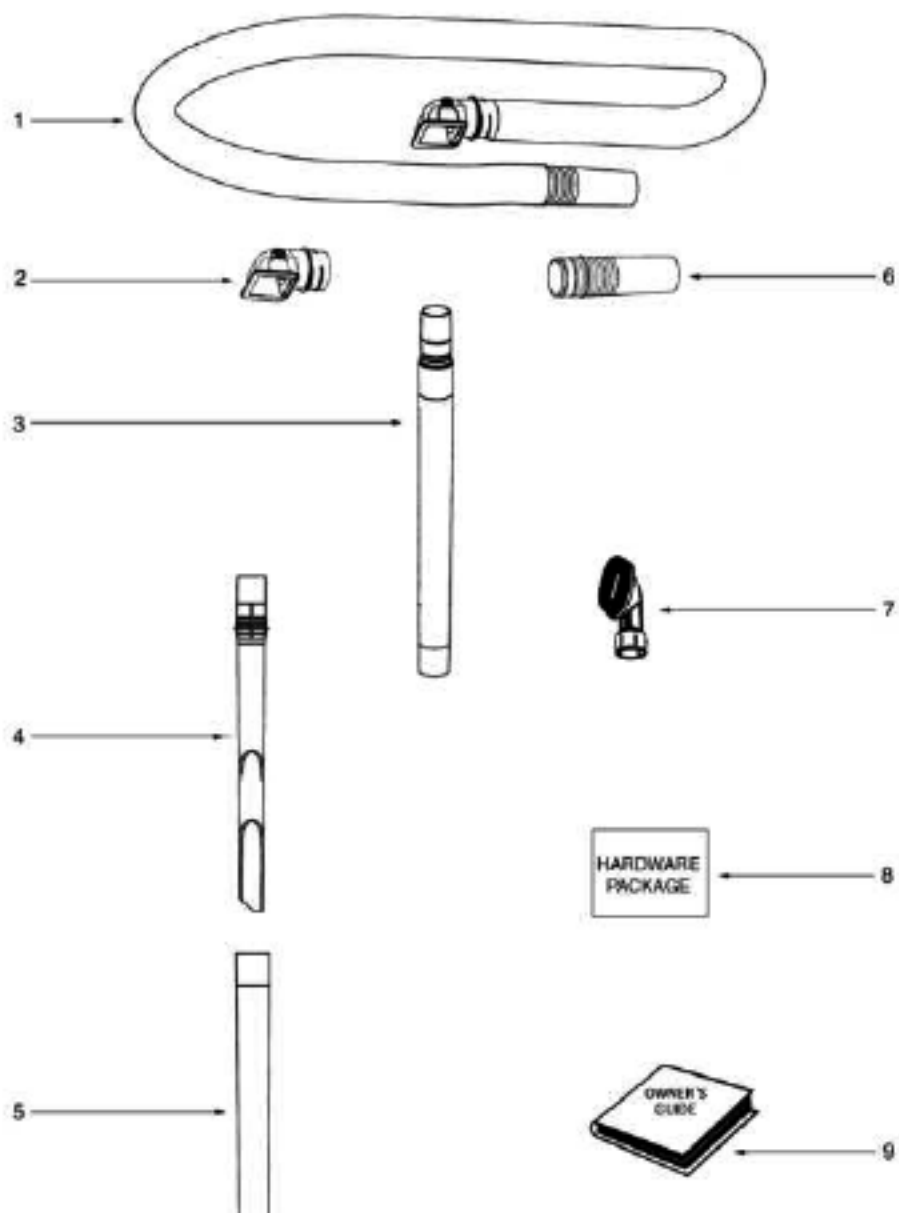
| Ref# | Part | Description | Comments | Qty |
|------|-------------|---------------------------|--|-----|
| 1 | 71235-119N | CAP - HANDLE | | |
| 2 | 71473A | HANDLE ASSEMBLY | Includes items 1 & 6 | |
| 3 | 71537-13 | CYCLONE ASSEMBLY | Includes items 8,9,10,11,12,13,14 & 15 | |
| 4 | 61825 | DUST CUP FLTR(STYLE DCF3) | | |
| 5 | 61864-1 | DUST CUP ASSY - PRGD | | |
| 6 | 70864A-119N | HOOK - CORD | | |
| 7 | 53238-44 | SCREW PACKAGE | | |
| 8 | 71479-355N | LATCH - DUST CUP | | |
| 9 | 61866 | SPRING PACKAGE | | |
| 10 | 53238-27 | SCREW PACKAGE | | |
| 11 | 72004-12 | TOP COVER & GRAPHICS ASSE | | |
| 12 | 71785-119N | CATCH - FILTER IN PLACE | | |
| 13 | 61867 | SPRING PACKAGE | Pkg. of 5 | |
| 14 | 71451-119N | CYCLONE | | |
| 15 | 71475 | GASKET - CYCLONE | | |



| Ref# | Part | Description | Comments | Qty |
|------|------------|---------------------------|------------------------|-----|
| 1 | 39585-2 | SUPPLY CORD & TERMINAL AS | | |
| 2 | 39455-1 | SWITCH - ROCKER | | |
| 3 | 60192-1 | WIRE SPLICE 5 | | |
| 4 | 72126B | REAR HOUSING ASSEMBLY | Includes items 18 & 25 | |
| 5 | 71649 | GASKET - MOTOR CAN (Eurek | | |
| 6 | 60261-11 | MOTOR ASSEMBLY - PACKAGED | | |
| 7 | 71483 | GASKET - DIRT CUP LOWER | | |
| 8 | 71480 | FILTER - PRE-MOTOR | | |
| 9 | 61863-8 | MOTOR COVER ASSY - PACKAG | Includes items 7 & 8 | |
| 11 | 71460-313N | LENS - HEADLAMP | | |
| 12 | 53238-44 | SCREW PACKAGE | | |
| 13 | 70701-2 | SOCKET & TERMINAL ASSY | | |
| 14 | 57940-3 | LAMP - HEADLIGHT | | |
| 15 | 39252-1 | THERMOSTAT & TERMINAL ASS | | |
| 16 | 72127 | SWITCH COVER ASSEMBLY | | |
| 18 | 71482 | GASKET - INTAKE | | |
| 20 | 71455-119N | TOOL PACK - LOWER | | |
| 21 | 53238-27 | SCREW PACKAGE | | |
| 22 | 61830 | HEPA FILTER PKG - STYLE H | | |
| 23 | 72006-4 | FILTER COVER & GRAPHICS A | | |
| 24 | 70084 | BUSHING - MOTOR SUPPORT | | |
| 25 | 71484 | GASKET - MOTOR COVER | | |
| 26 | 71969-1 | GASKET - MOTOR HUB | | |
| 27 | 71465 | CORD - JUMPER | | |
| 28 | 72224-1 | FOAM - SOUND | | |
| 29 | 70651-1 | TUBE - FLEXIBLE | | |
| 30 | 72167 | PLUG | | |
| 10 | 53238-27 | SCREW PACKAGE | Pkg. of 10 | |
| 17 | 53238-27 | SCREW PACKAGE | Pkg. of 10 | |
| 19 | 53238-27 | SCREW PACKAGE | Pkg. of 10 | |



| Ref# | Part | Description | Comments | Qty |
|------|-------------|---------------------------|------------|-----|
| 1 | 71466 | BASE HOSE ASSY | | |
| 2 | 71447-119N | BASE HOSE ASSY | | |
| 3 | 73153 | FELT - BASE | | |
| 4 | 71448-355N | KNOB - HEIGHT ADJUSTMENT | | |
| 5 | 61877-8 | BASE ASSEMBLY - PACKAGED | | |
| 6 | 54943 | SPRING PACKAGE | | |
| 7 | 71446A-119N | CARRIAGE - WHEEL | | |
| 8 | 71478 | AXLE - FRONT | | |
| 9 | 39173A-119N | WHEEL - FRONT | | |
| 10 | 61120A | BELT PKG ASSY-STYLE U EXT | | |
| 12 | 71726-119N | BASE HOSE ASSY | | |
| 13 | 72178-4 | DELUXE 15" LENS & GRAPHIC | | |
| 14 | 61878-14 | HOOD ASSEMBLY - PACKAGED | | |
| 15 | 53238-44 | SCREW PACKAGE | | |
| 16 | 71574 | SPRING - HANDLE RELEASE | | |
| 17 | 53238-27 | SCREW PACKAGE | | |
| 18 | 71487 | CLAMP - MOTOR | | |
| 19 | 71457-355N | RELEASE - HANDLE | | |
| 20 | 54432-1 | PACKAGE - RETAINING RING | Pkg. of 10 | |
| 21 | 72117-119N | WHEEL - REAR | | |
| 22 | 72113-1 | BUSHING - AXLE | | |
| 23 | 38590A | AXLE - REAR | | |
| 24 | 71741A | BELT CAP ASSEMBLY | | |
| 25 | 73152 | FELT - BELT CAP | | |
| 26 | 61869-1 | BRUSHROLL ASSY - CTND | | |
| 27 | 38063 | GUARD - BELT | | |
| 11 | 53238-27 | SCREW PACKAGE | Pkg. of 10 | |



| Ref# | Part | Description | Comments | Qty |
|------|-------------|---------------------------|----------------------|-----|
| 1 | 61865-4 | HOSE ASSY - CTND | Includes items 2 & 6 | |
| 2 | 71725-313N | ADAPTER - HOSE | | |
| 3 | 71492A | NESTING WAND ASSEMBLY | Includes items 4 & 5 | |
| 4 | 71956A-355N | WAND - CREVICE | | |
| 5 | 71973-119N | WAND - OUTER | | |
| 6 | 70559A-119N | COUPLING - HOSE | | |
| 7 | 60990-2 | COMBINATION BRSH BRSTLD-C | | |
| 8 | 72322 | PACKAGE - HARDWARE | | |
| 9 | 71496C | OWNER'S GUIDE | | |