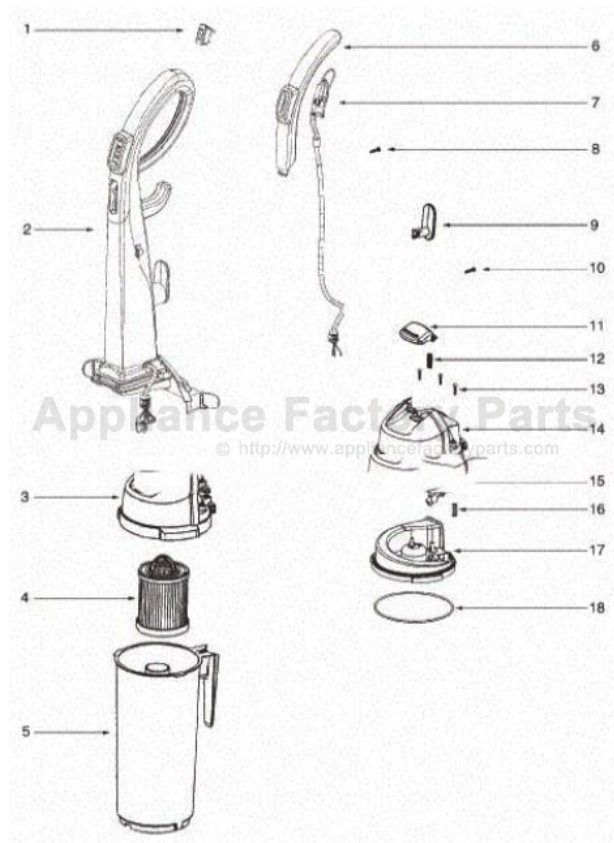


This Owner's Manual is provided and hosted by [Appliance Factory Parts](http://www.appliancefactoryparts.com).



Eureka 5855AV Owner's Manual

[Shop genuine replacement parts for Eureka 5855AV](#)

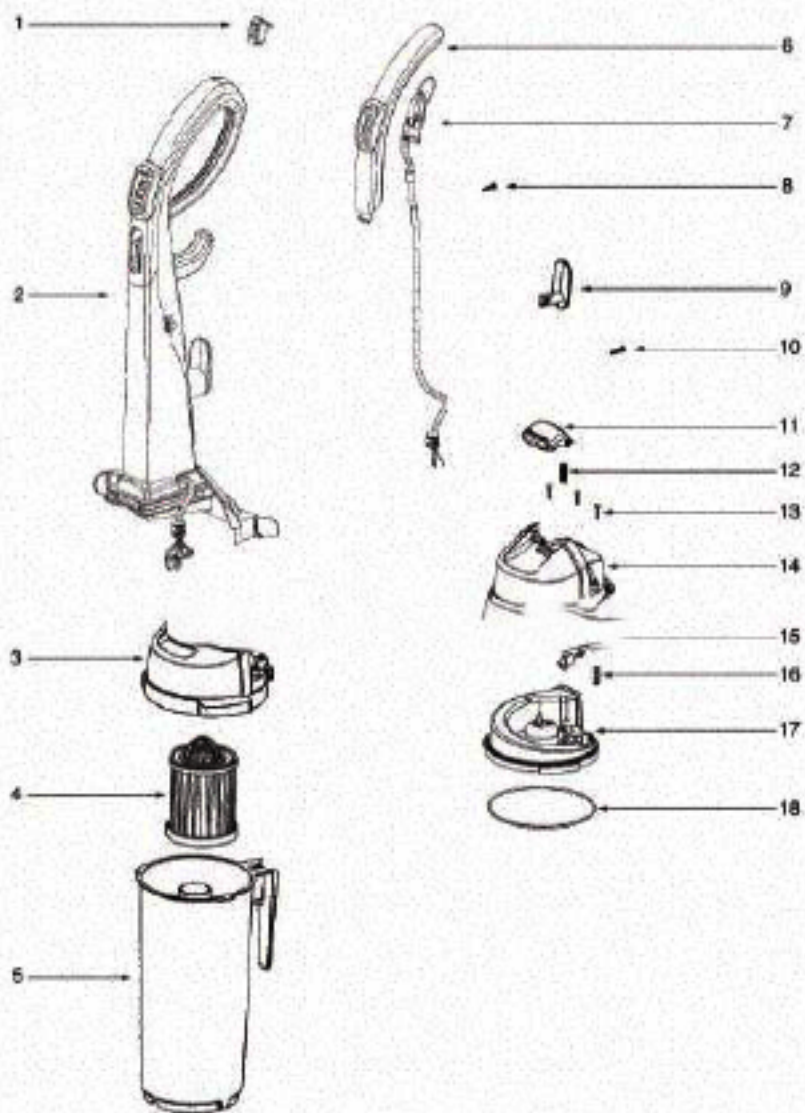


[Find Your Eureka Vacuum Cleaner Parts - Select From 855 Models](#)

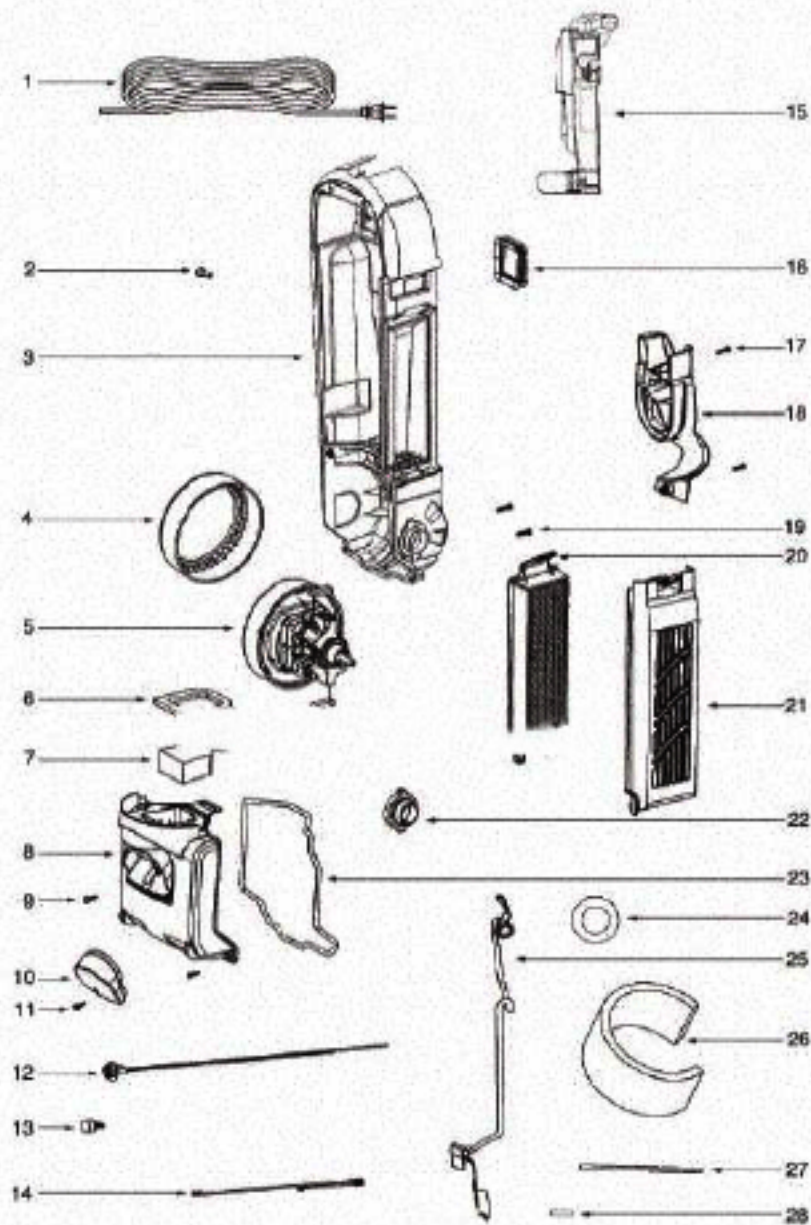
----- Manual continues below part list -----

Available Replacement Parts for Eureka 5855AV

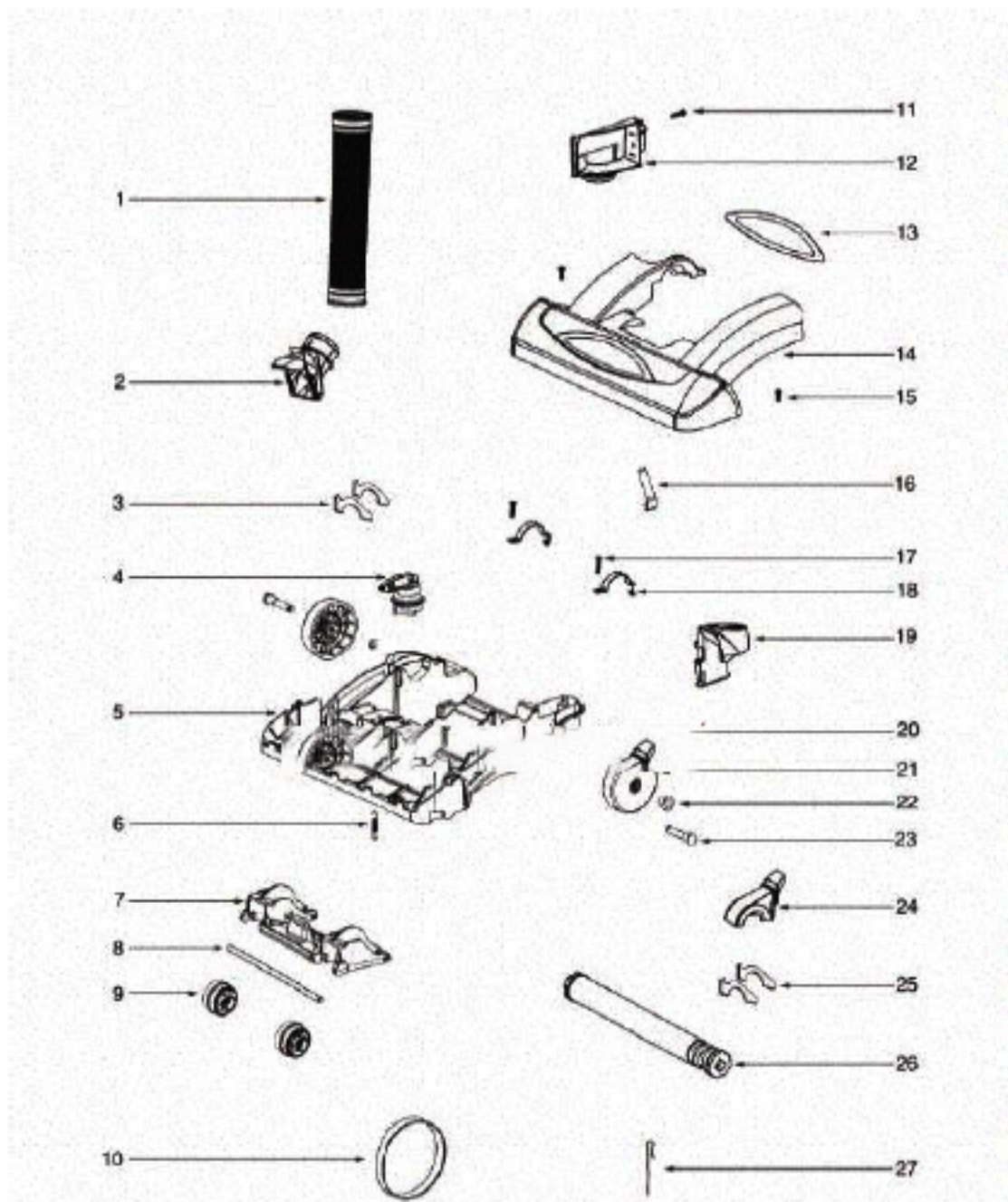
e-39266	BELT OEM EUREKA EXTENED LIFE 1 PACK
E-61830	STYLE HF5 EUREKA HEPA FILTER
E-71492	WAND, NESTING W/CREVICE TOOL
e-60990-2	BRUSH
E-71725-313N	ADAPTER-HOSE
E-61865-4	hose assembly cartoned
ER-2028	ROLLER



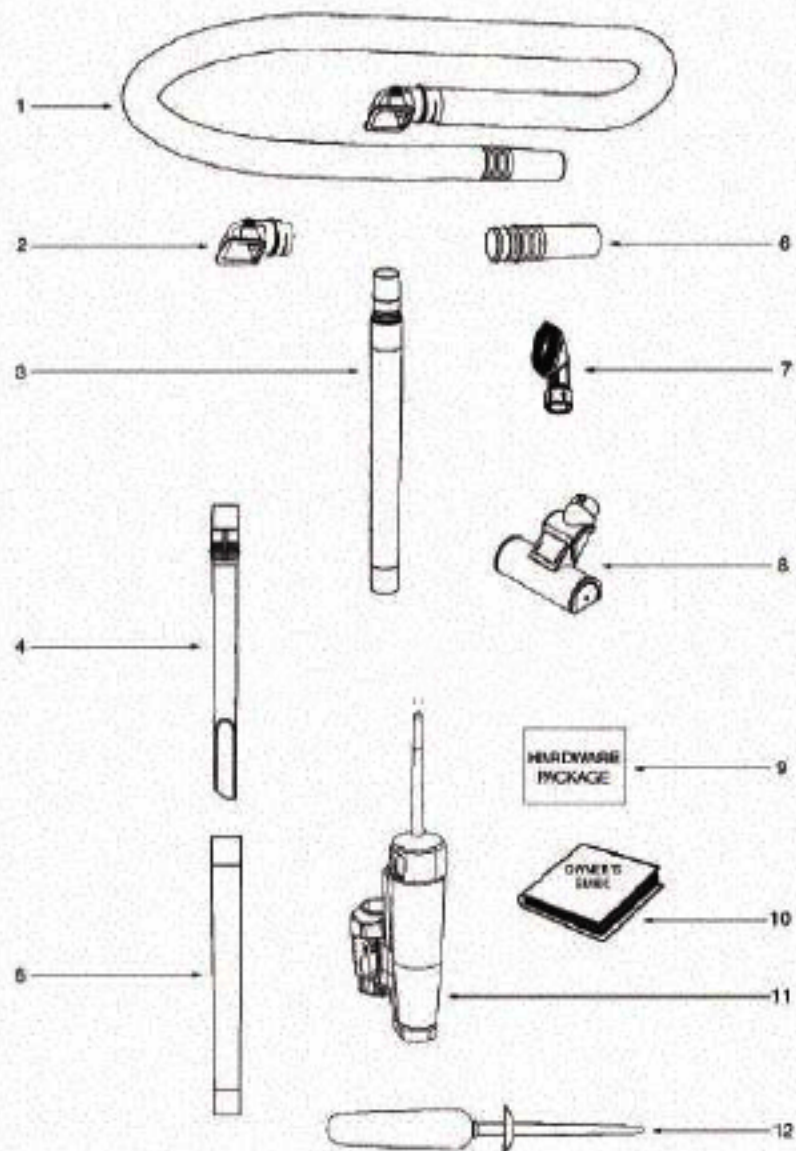
Ref#	Part	Description	Comments	Qty
1	28073A	SWITCH - ROCKER		
2	72886-4SV	HANDLE ASSEMBLY	Includes items 1,6,7 & 8	
3	71537-11	CYCLONE ASSEMBLY	Includes items 11,12,13,14,15,16,17 & 18	
4	61825	DUST CUP FLTR(STYLE DCF3)		
5	61864-1	DUST CUP ASSY - PKGD		
6	72889-2	SWITCH COVER & GRAPHICS A		
7	39731	CORD - JUMPER (UPPER)		
9	70864A-119N	HOOK - CORD		
10	53238-44	SCREW PACKAGE	Pkg. of 10	
11	71479-355N	LATCH - DUST CUP		
12	61866	SPRING PACKAGE	Pkg. of 5	
13	53238-27	SCREW PACKAGE	Pkg. of 10	
14			Available only with cyclone assy. complete.	
15	71785-119N	CATCH - FILTER IN PLACE		
16	61867	SPRING PACKAGE	Pkg. of 5	
17	71451-119N	CYCLONE		
18	71475	GASKET - CYCLONE		
	74084-2	TURBO CLIP & GRAPHICS ASS	NOT ILLUSTRATED	



Ref#	Part	Description	Comments	Qty
1	74082-1	SUPPLY CORD & TERMINAL AS		
2	60192-1	WIRE SPLICE 5		
3	73251A	REAR HOUSING ASSEMBLY	Includes 16 & 23	
4	71649	GASKET - MOTOR CAN (Eumpk		
5	60261-11	MOTOR ASSEMBLY - PACKAGED		
6	71483	GASKET - DIRT CUP LOWER		
7	71480	FILTER - PRE-MOTOR		
8	61863-3	MOTOR COVER ASSY - PACKAG	Includes items 6 & 7	
10	71460-313N	LENS - HEADLAMP		
11	53238-44	SCREW PACKAGE		
12	70701-2	SOCKET & TERMINAL ASSY		
13	57940-3	LAMP - HEADLIGHT		
14	39252-1	THERMOSTAT & TERMINAL ASS		
15	72890A	CORD EXIT COVER ASSEMBLY		
16	71482	GASKET - INTAKE		
18	71455-119N	TOOL PACK - LOWER		
9	53238-27	SCREW PACKAGE		
20	61830	HEPA FILTER PKG - STYLE H		
21	72006-4	FILTER COVER & GRAPHICS A		
22	70084	BUSHING - MOTOR SUPPORT		
23	71484	GASKET - MOTOR COVER		
24	71969-1	GASKET - MOTOR HUB		
25	39785	CORD - JUMPER		
26	72224-1	FOAM - SOUND		
27	70651-1	TUBE - FLEXIBLE		
28	72167	PLUG		



Ref#	Part	Description	Comments	Qty
1	71466	BASE HOSE ASSY		
2	71447-119N	BASE HOSE ASSY		
3	73153	FELT - BASE		
4	71448-355N	KNOB - HEIGHT ADJUSTMENT		
5	61877-8	BASE ASSEMBLY - PACKAGED	Includes items 3,4,6,7,8,9,16,19,20,21,22,23 & 27	
6	54943	SPRING PACKAGE		
7	71445A-119N	CARRIAGE - WHEEL		
8	71478	AXLE - FRONT		
9	39173A-119N	WHEEL - FRONT		
10	61120A	BELT PKG ASSY-STYLE U EXT		
11	53238-27	SCREW PACKAGE		
12	71726-119N	BASE HOSE ASSY		
13	72178-5	DELUXE 15" LENS & GRAPHIC		
14	61878-17	HOOD ASSEMBLY - PACKAGED	Includes item 13	
15	53238-44	SCREW PACKAGE		
16	71574	SPRING - HANDLE RELEASE		
17	53238-27	SCREW PACKAGE	Pkg. of 10	
18	71487	CLAMP - MOTOR		
19	71457-355N	RELEASE - HANDLE		
20	54432-1	PACKAGE - RETAINING RING	Pkg. of 10	
21	72117-119N	WHEEL - REAR		
22	72113-1	BUSHING - AXLE		
23	38590A	AXLE - REAR		
24	71741A	BELT CAP ASSEMBLY	Includes item 25	
25	73152	FELT - BELT CAP		
26	62228-3	BRUSHROLL ASSEMBLY - CART		
27	38063	GUARD - BELT		



Ref#	Part	Description	Comments	Qty
1	61865-4	HOSE ASSY - CTND	Includes items 2 & 6	
2	71725-313N	ADAPTER - HOSE		
3	71492A	NESTING WAND ASSEMBLY	Includes items 4 & 5	
4	71956A-355N	WAND - CREVICE		
5	71973-119N	WAND - OUTER		
6	70559A-119N	COUPLING - HOSE		
7	60990-2	COMBINATION BRSH BRSTLD-C		
8	28612A	TURBO NOZZLE ASSY (MODEL		
9	72322	PACKAGE - HARDWARE		
10	71496C	OWNER'S GUIDE		
11	72293-4	ELECTROSTATIC DUSTER ASSE	Includes item 12	
12	73530	DUSTER ASSEMBLY		