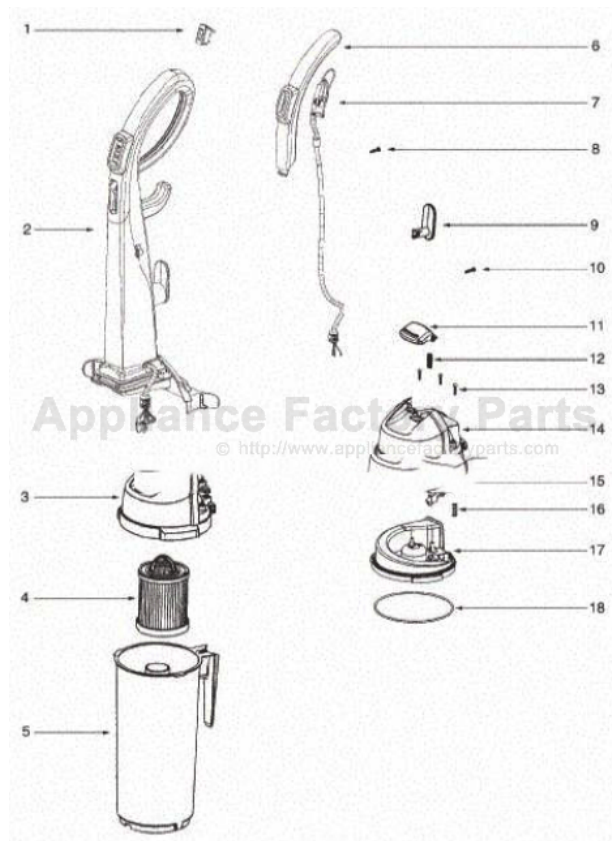


This Owner's Manual is provided and hosted by [Appliance Factory Parts](http://www.appliancefactoryparts.com).



# Eureka 5860AVH Owner's Manual

[Shop genuine replacement parts for Eureka 5860AVH](#)

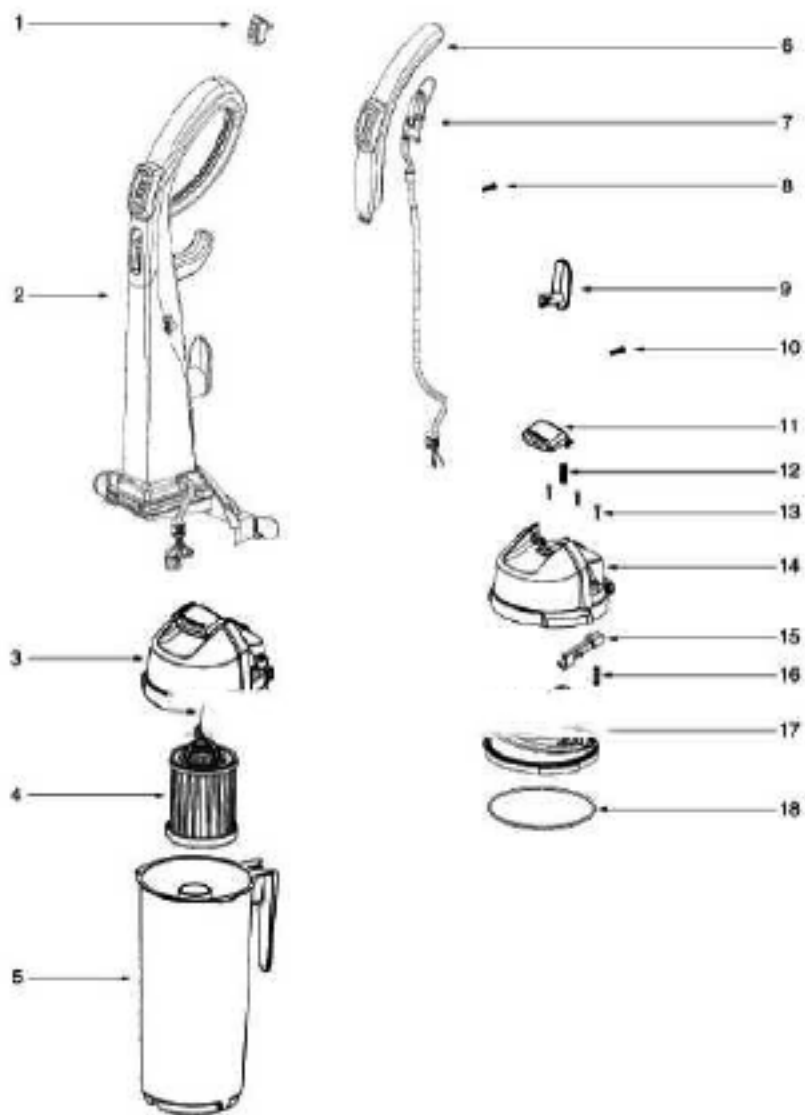


[Find Your Eureka Vacuum Cleaner Parts - Select From 855 Models](#)

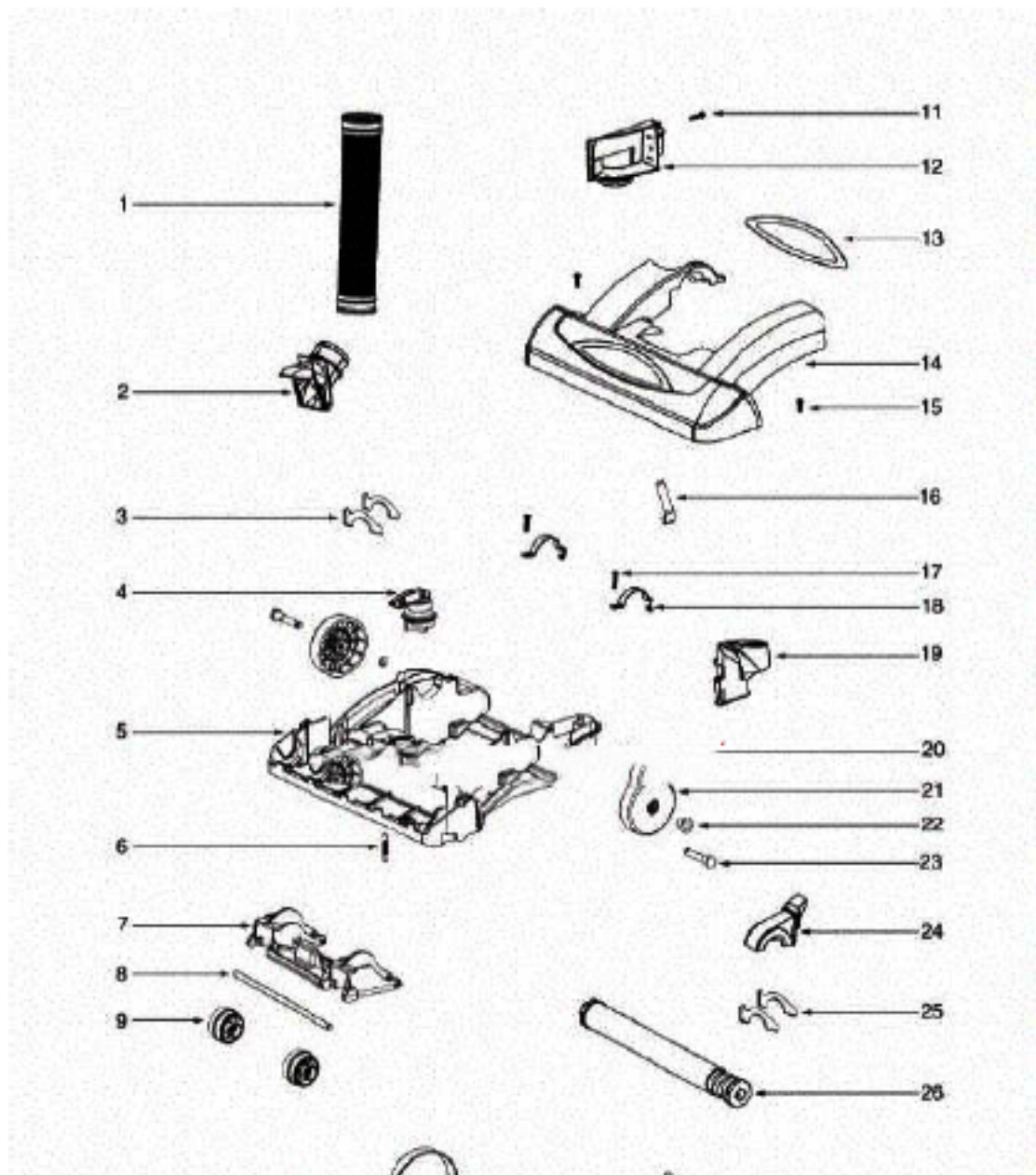
----- Manual continues below part list -----

## Available Replacement Parts for Eureka 5860AVH

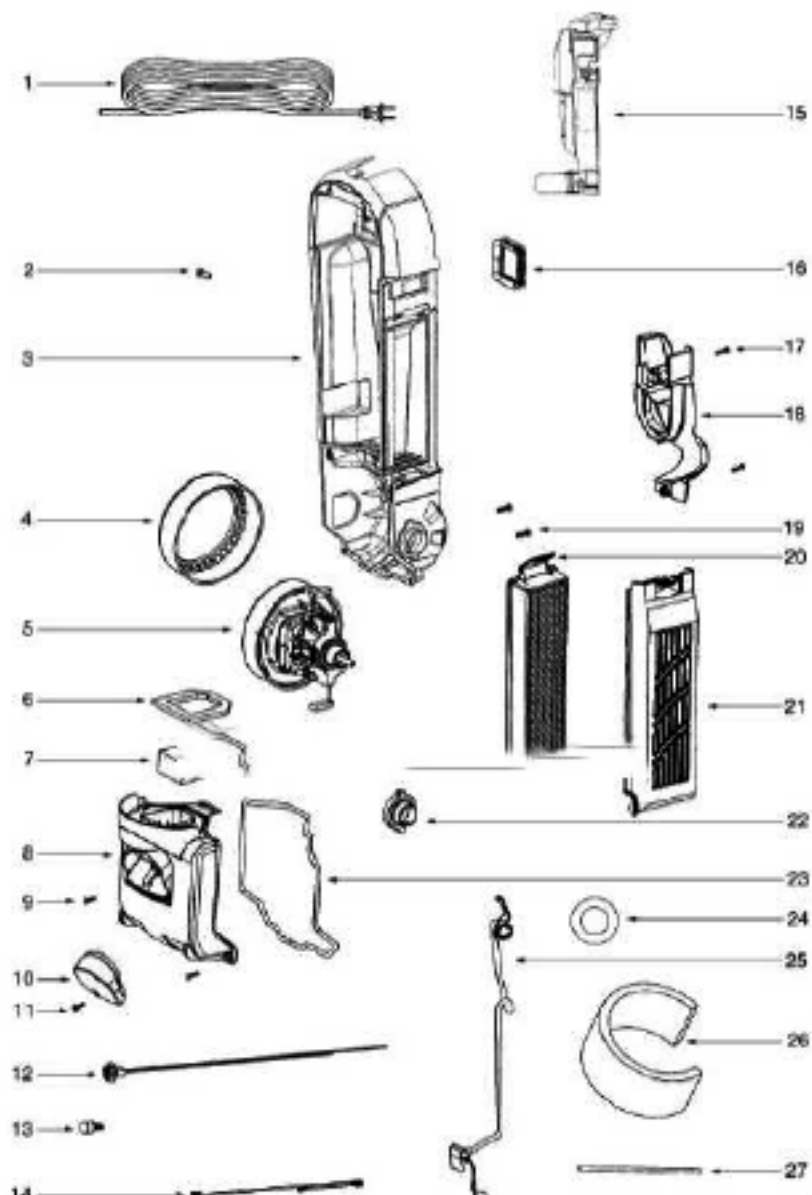
<a href="#">E-61830</a>	STYLE HF5 EUREKA HEPA FILTER
<a href="#">E-71492</a>	WAND, NESTING W/CREVICE TOOL
<a href="#">e-60990-2</a>	BRUSH
<a href="#">E-71725-313N</a>	ADAPTER-HOSE
<a href="#">E-61865-4</a>	hose assembly cartoned
<a href="#">ER-2028</a>	ROLLER



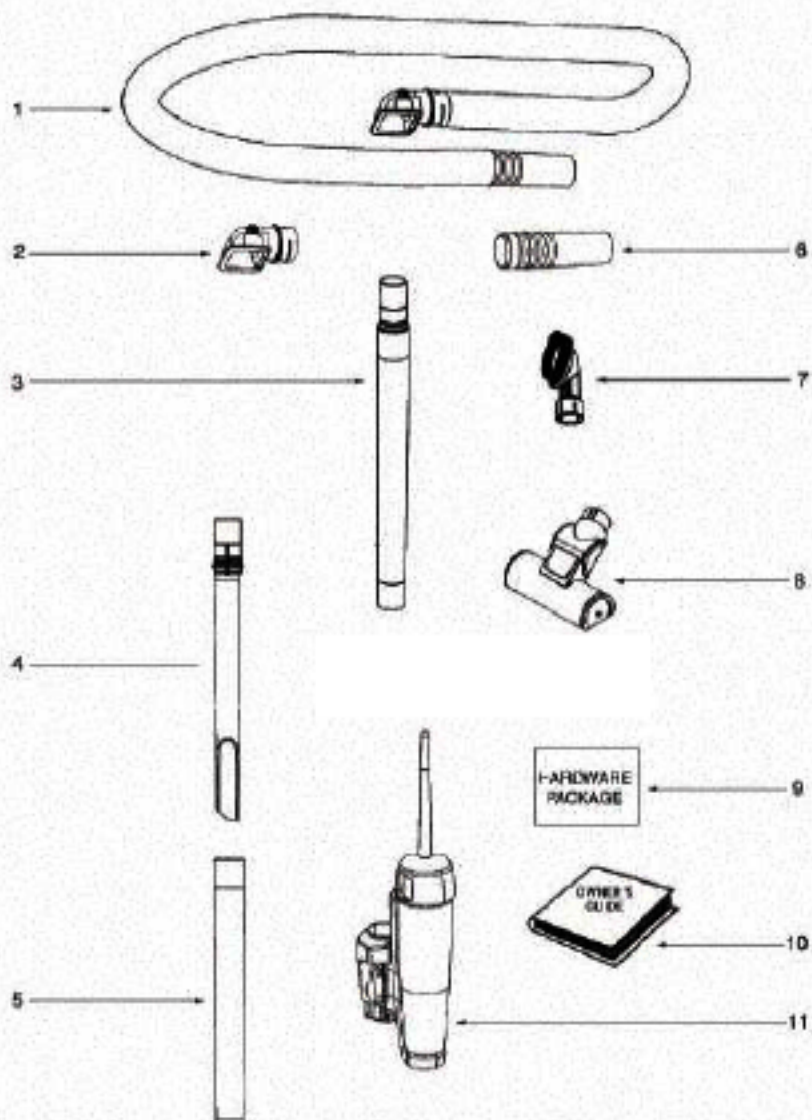
Ref#	Part	Description	Comments	Qty
1	28073A	SWITCH - ROCKER		
2	72886-5		Includes 1, 6, 7 & 8	
3	71537-24	CYCLONE ASSEMBLY	Includes items 11,12,13,14,15,16,17 & 18	
4	61825	DUST CUP FLTR(STYLE DCF3)		
5	61864-1	DUST CUP ASSY - PKGD		
15	71785-119N	CATCH - FILTER IN PLACE		
14			On cyclone assy complete only.	
13	53238-27	SCREW PACKAGE	Pkg of 10	
12	61865	SPRING PACKAGE		
11	71479-355N	LATCH - DUST CUP		
10	54669-5	SCREW PACKAGE	Pkg of 10	
9			On handle assy complete only.	
8	53238-27	SCREW PACKAGE	Pkg of 10	
7	39731	CORD - JUMPER (UPPER)		
6	73354-415M	COVER - SWITCH (SINGLE SP		
16	61867	SPRING PACKAGE	Pkg of 5	
17	71451-119N	CYCLONE		
18	71475	GASKET - CYCLONE		



Ref#	Part	Description	Comments	Qty
1	72001	BASE HOSE ASSY		
2			On base hose only.	
3	73153	FELT - BASE		
4	71448-355N	KNOB - HEIGHT ADJUSTMENT		
5	61877-8	BASE ASSEMBLY - PACKAGED	Includes items 3,4,6,7,8,9,16,19,20,21,22,23 &27	
6	54943	SPRING PACKAGE	Pkg of 10	
7	71445A-119N	CARRIAGE - WHEEL		
8	71478	AXLE - FRONT		
9	39173A-119N	WHEEL - FRONT		
10	61120A	BELT PKG ASSY-STYLE U EXT	Pkg of 2	
27	38083	GUARD - BELT		
26	62228-3	BRUSHROLL ASSEMBLY - CART		
25	73152	FELT - BELT CAP		
24	71741A	BELT CAP ASSEMBLY	Includes item 25	
23	38590A	AXLE - REAR		
21	72117-119N	WHEEL - REAR		
22	72113-1	BUSHING - AXLE		
20	54432-2	PACKAGE - RETAINING RING	Pkg of 10	
19	71457-355N	RELEASE - HANDLE		
18	71487	CLAMP - MOTOR		
21	53238-27	SCREW PACKAGE	Pkg of 10	
16	71574	SPRING - HANDLE RELEASE		
23	53238-44	SCREW PACKAGE	Pkg of 10	
13			On hood assy only.	
12			On base hose only.	
14	61878-24		Includes item 13.	



Ref#	Part	Description	Comments	Qty
1	39584-8	CORD - LOW LEAD (17 GA)		
2	60192-1	WIRE SPLICE 5	Pkg of 5	
3	73251A	REAR HOUSING ASSEMBLY	Includes items 16 & 23	
4	71649	GASKET - MOTOR CAN (Eumpk)		
5	60261-11	MOTOR ASSEMBLY - PACKAGED		
6	71483	GASKET - DIRT CUP LOWER		
7	71480	FILTER - PRE-MOTOR		
8	61863-15	MOTOR COVER ASSY - PACKAG	Includes items 6 & 7	
9	53238-27	SCREW PACKAGE	Pkg of 10	
10	71460-313N	LENS - HEADLAMP		
11	53238-44	SCREW PACKAGE	Pkg of 10	
12	70701-2	SOCKET & TERMINAL ASSY		
13	57940-3	LAMP - HEADLIGHT		
14	39252-1	THERMOSTAT & TERMINAL ASS		
15	72990A	CORD EXIT COVER ASSEMBLY		
28	72167	PLUG		
27	70651-1	TUBE - FLEXIBLE		
24	71969-1	GASKET - MOTOR HUB		
23	71484	GASKET - MOTOR COVER		
24	70084	BUSHING - MOTOR SUPPORT		
21	72006-4	FILTER COVER & GRAPHICS A		
22	70084	BUSHING - MOTOR SUPPORT		
20	61830	HEPA FILTER PKG - STYLE H		
16	71482	GASKET - INTAKE		
18	71455-119N	TOOL PACK - LOWER		
25	39785	CORD - JUMPER		
26	72224-1	FOAM - SOUND		



Ref#	Part	Description	Comments	Qty
1	61865-4	HOSE ASSY - CTND	Includes items 2 & 6	
2	71725-313N	ADAPTER - HOSE		
6	70559A-119N	COUPLING - HOSE		
3	71492A	NESTING WAND ASSEMBLY	Includes items 4 & 5	
7	60990-2	COMBINATION BRSH BRSTLD-C		
8	28512A-1	TURBO NOZZLE ASSY (MODEL		
9	72322	PACKAGE - HARDWARE		
10	73584			
4	71956A-355N	WAND - CREVICE		
12	73530	DUSTER ASSEMBLY		
5	71973-119N	WAND - OUTER		
11	72293-4	ELECTROSTATIC DUSTER ASSE	Includes item 12	