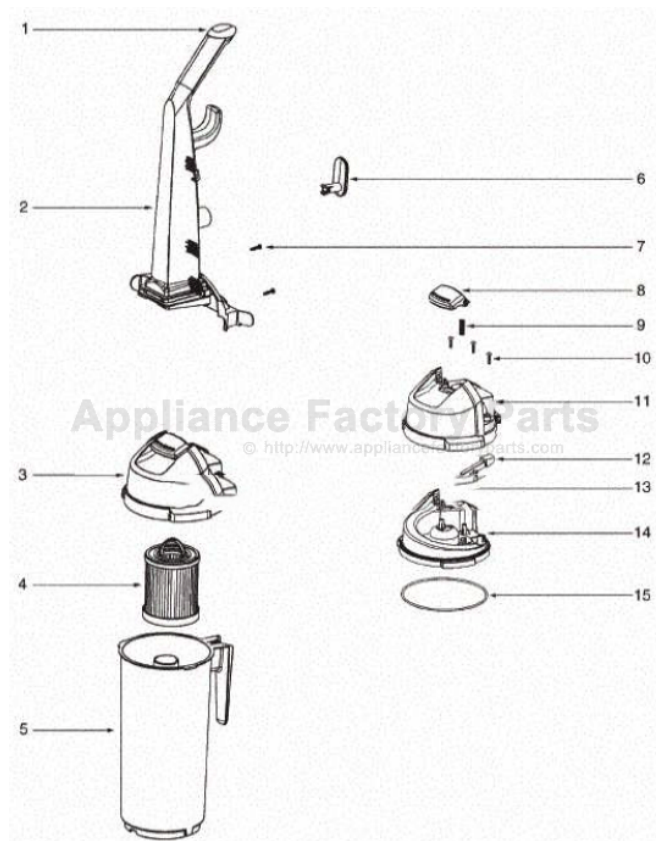


This Owner's Manual is provided and hosted by [Appliance Factory Parts](http://www.appliancefactoryparts.com).



Eureka 5863AVS Owner's Manual

[Shop genuine replacement parts for Eureka 5863AVS](#)

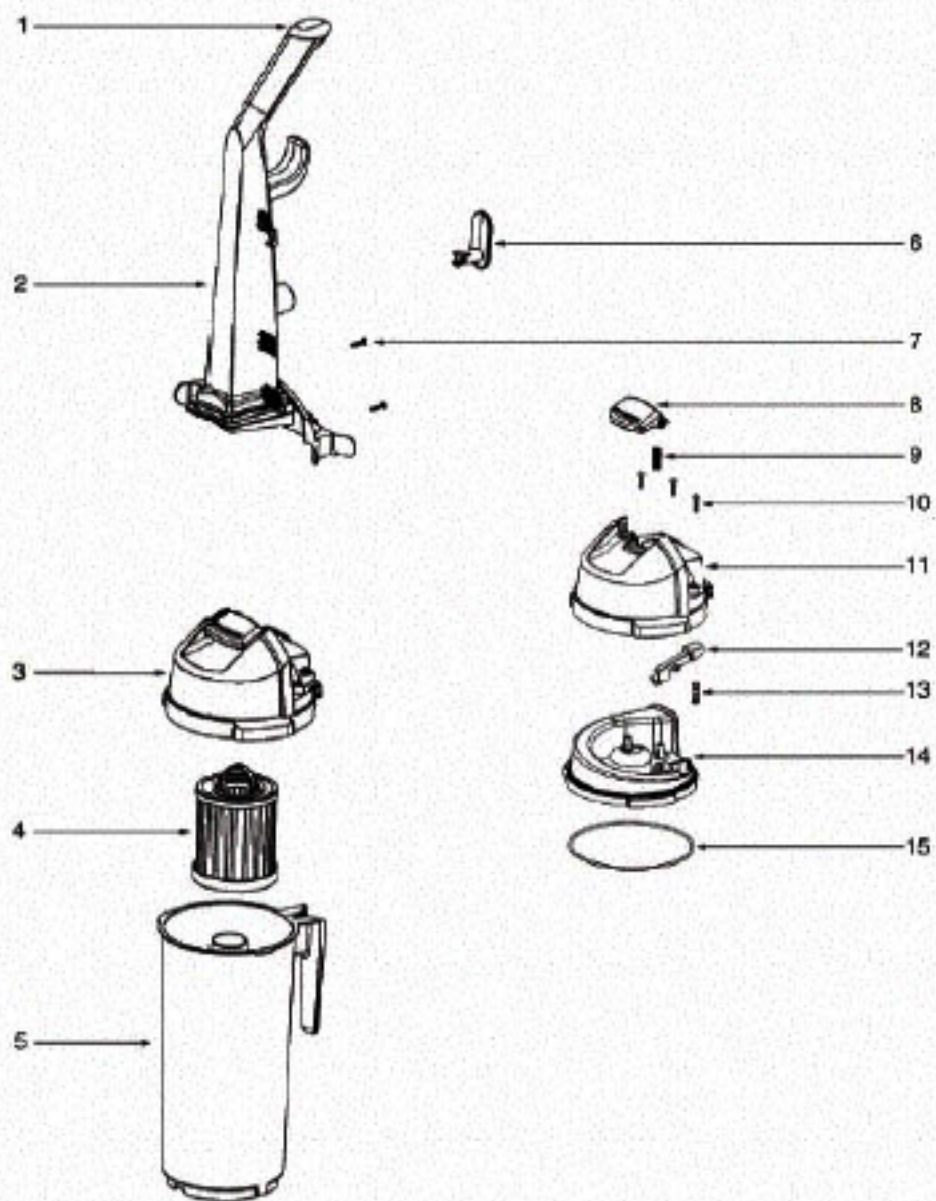


[Find Your Eureka Vacuum Cleaner Parts - Select From 855 Models](#)

----- Manual continues below part list -----

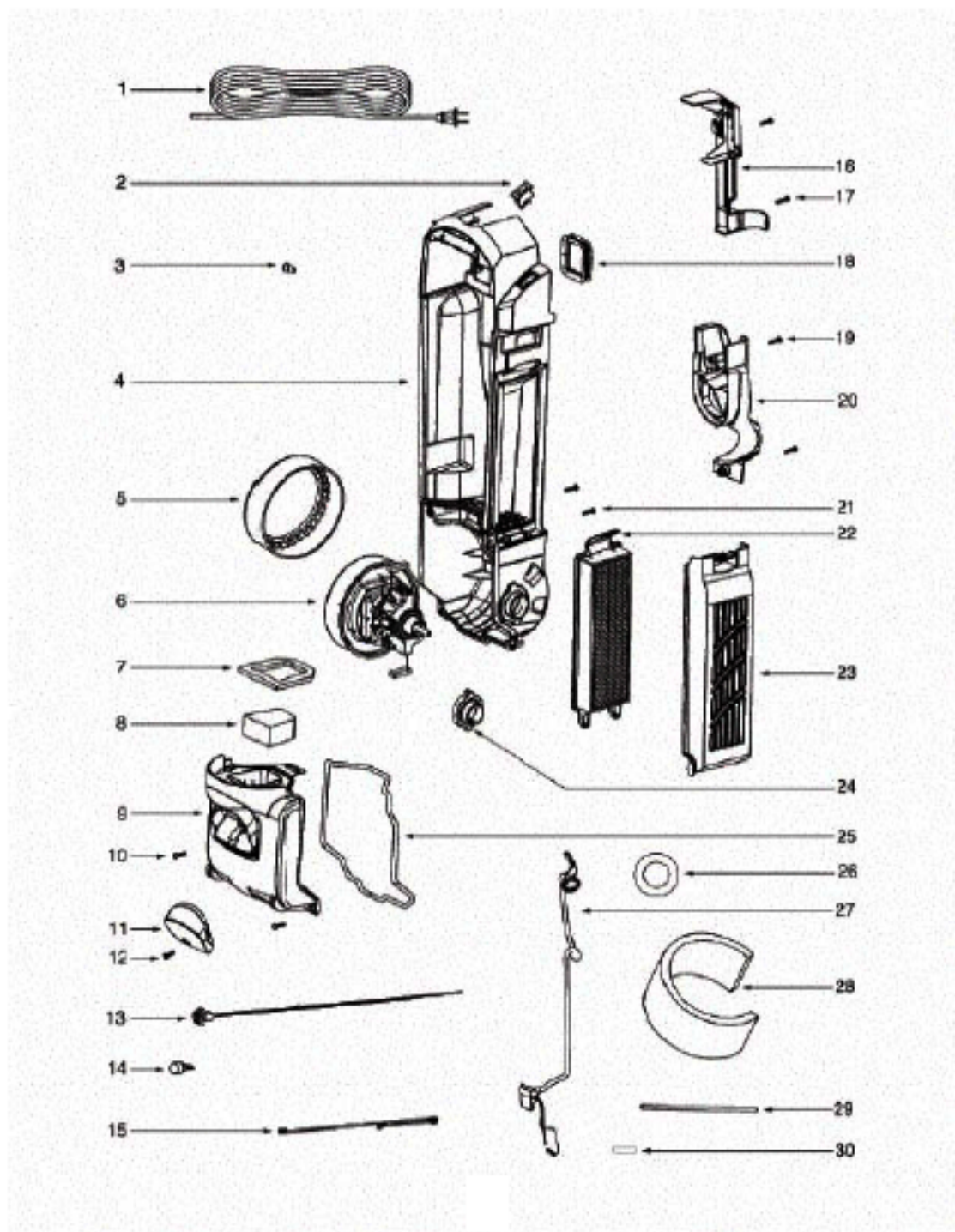
Available Replacement Parts for Eureka 5863AVS

e-39266	BELT OEM EUREKA EXTENED LIFE 1 PACK
E-71492	WAND, NESTING W/CREVICE TOOL
e-60990-2	BRUSH
E-71725-313N	ADAPTER-HOSE



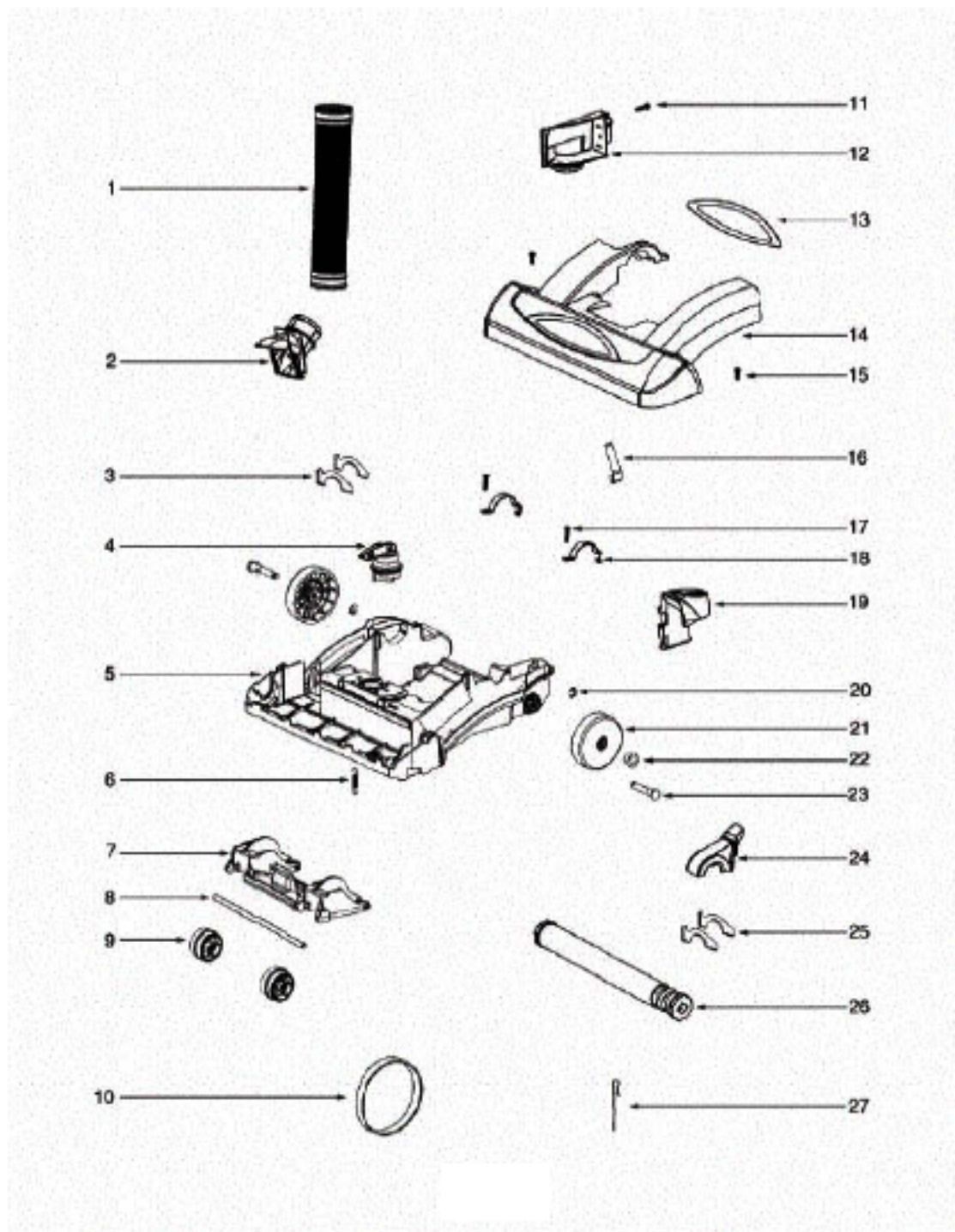
Handle and Dust Cup - 5863AVS

Ref #	Part	Description	Comments	Qty
1	71235-119N	CAP - HANDLE		
2	74589-1	HANDLE ASSY W/DRILLED HOL	Includes items 1 & 6	
3	71537-33	CYCLONE ASSEMBLY	Includes items 8,9,10,11,12,13,14 & 15	
4	61825-4	DUST CUP FILTER PACKAGE D		
5	62576	DUST CUP ASSEMBLY - PACKA		
6	39977-119N	HOOK - CORD		
7	53238-44	SCREW PACKAGE	Pkg of 10	
8	71479-355N	LATCH - DUST CUP		
9	61866	SPRING PACKAGE		
10	53238-27	SCREW PACKAGE	Pkg of 10	
12	71785-119N	CATCH - FILTER IN PLACE	(Filter in place)	
13	61867	SPRING PACKAGE	Pkg of 5	
14	71451-119N	CYCLONE		
15	71475	GASKET - CYCLONE		
11	72004-28		On cyclone assembly complete only.	



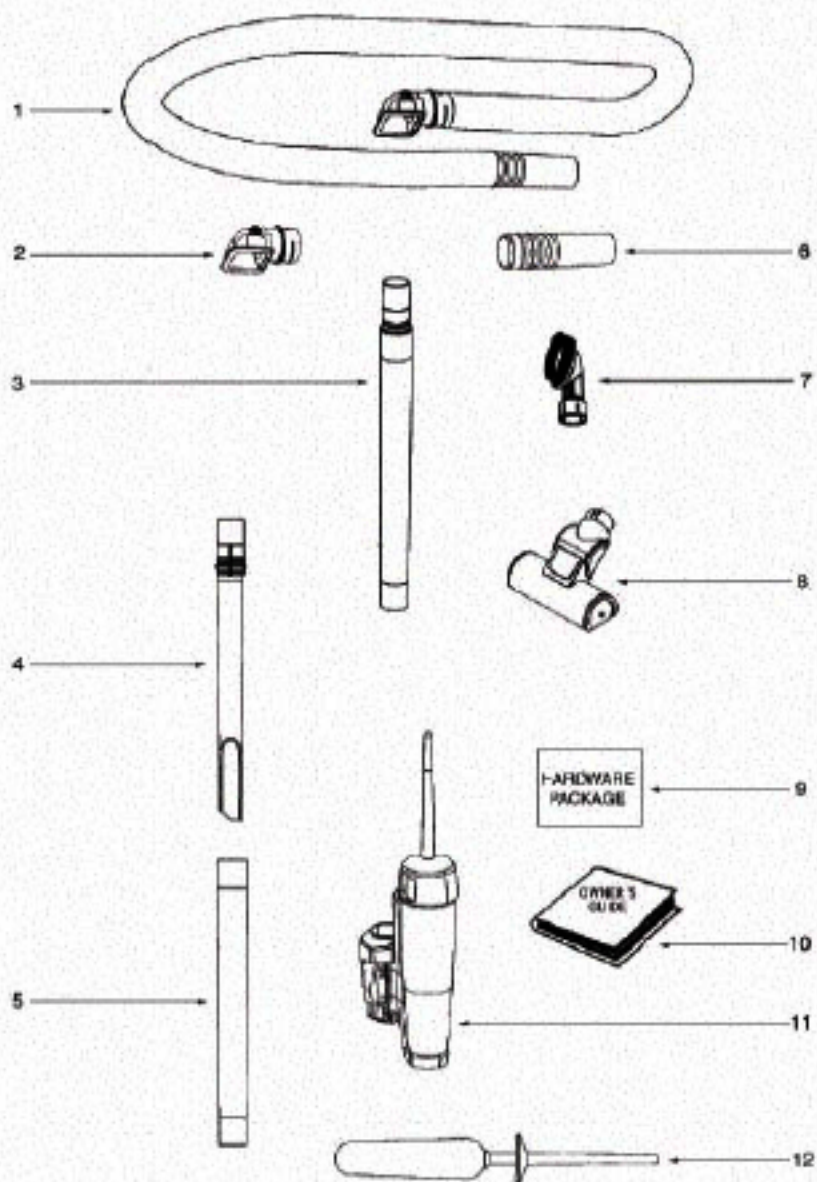
Main Body - 5863AVS

Ref #	Part	Description	Comments	Qty
1	39585-2	SUPPLY CORD & TERMINAL AS		
2	39455-1	SWITCH - ROCKER		
3	60192-1	WIRE SPLICE 5		
4	72126B-2	REAR HOUSING ASSEMBLY	Includes items 18 & 25	
5	74026-119N	GASKET - MOTOR CAN		
6	62075-2	MOTOR ASSEMBLY - CTND	Includes adjustment ring, 74110-119N.	
7	71483	GASKET - DIRT CUP LOWER		
8	71480	FILTER - PRE-MOTOR		
9	61863-20	MOTOR COVER ASSY - PACKAG	Includes items 7 & 8	
11	74025-313N	LENS - HEADLAMP		
12	53238-44	SCREW PACKAGE		
13	70701-3	SOCKET & TERMINAL ASSY		
14	57940-3	LAMP - HEADLIGHT		
15	39252-12	THERMOSTAT & TERMINAL ASS		
16	72127-2	SWITCH COVER ASSEMBLY		
18	71482	GASKET - INTAKE		
20	71455-119N	TOOL PACK - LOWER		
21	53238-27	SCREW PACKAGE	Pkg of 10	
22	61830-4	HEPA FILTER PKG - STYLE H		
23	72006-11	FILTER COVER & GRAPHICS A		
24	74112-119N	BUSHING - MOTOR		
25	71484	GASKET - MOTOR COVER		
26	74664-1	GASKET - MOTOR HUB		
27	74602	CORD - JUMPER		
30	72167-1	PLUG		
6a	62082	SCREW PACKAGE	Pkg of 10	



Base and Hood - 5863AVS

Ref #	Part	Description	Comments	Qty
1	75410	BASE HOSE ASSEMBLY		
2			With hose only.	
3	73153	FELT - BASE		
4	71448-355N	KNOB - HEIGHT ADJUSTMENT		
5	62574	BASE ASSEMBLY - PACKAGED	Includes items 3,4,6,7,8,9,16,19,20,21,22,23 & 27	
6	54943	SPRING PACKAGE		
7	71448A-119N	CARRIAGE - WHEEL		
8	71478-1	AXLE - FRONT		
9	39173A-119N	WHEEL - FRONT		
10	61120A	BELT PKG ASSY-STYLE U EXT		
12			With hose only.	
14	62575-1	HOOD ASSEMBLY - PACKAGED	Includes item 13	
15	53238-44	SCREW PACKAGE	Pkg of 10	
16	71574	SPRING - HANDLE RELEASE		
17	53238-27	SCREW PACKAGE	Pkg of 10	
18	74080	CLAMP - MOTOR		
19	71457-355N	RELEASE - HANDLE		
20	54432-2	PACKAGE - RETAINING RING		
21	72117-119N	WHEEL - REAR		
22	73432	BUSHING - AXLE		
23	38590A	AXLE - REAR		
24	71741A-1	BELT CAP ASSEMBLY	Includes item 25	
25	73152	FELT - BELT CAP		
26	62365-2	BRUSHROLL ASSEMBLY - CRTN		
27	38063	GUARD - BELT		



Accessories - 5863AVS

Ref #	Part	Description	Comments	Qty
1	61865-7	HOSE ASSEMBLY - CARTONED	Includes items 2 and 6.	
2	71725-313N	ADAPTER - HOSE		
3	71492A	NESTING WAND ASSEMBLY		
4	71956A-355N	WAND - CREVICE		
5	71973-119N	WAND - OUTER		
6	70559A-119N	COUPLING - HOSE		
7	60990-2	COMBINATION BRSH BRSTLD-C		
9	72322	PACKAGE - HARDWARE		
10	71496C	OWNERS GUIDE		
11	72293-4	ELECTROSTATIC DUSTER ASSE		
12	75628	ELECTROSTATIC DUSTER ASSY		
8	75391	TURBO NOZZLE ASSEMBLY	Not pictured.	
14	73846-119N	MOUNT - TURBO CLIP	Not pictured.	
15	73847-119N	PLATE - TURBO NOZZLE MOUN		
16	75430-313N	CLIP - TURBO NOZZLE		