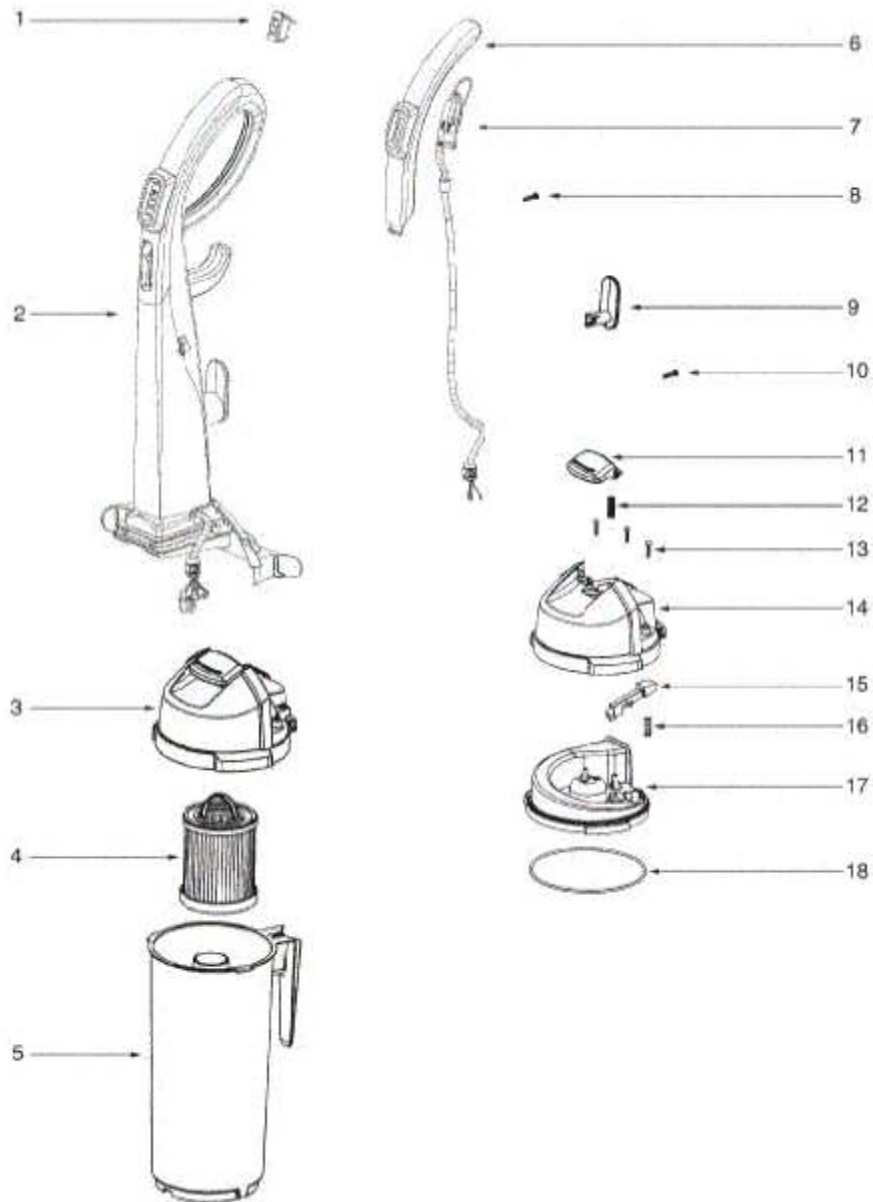
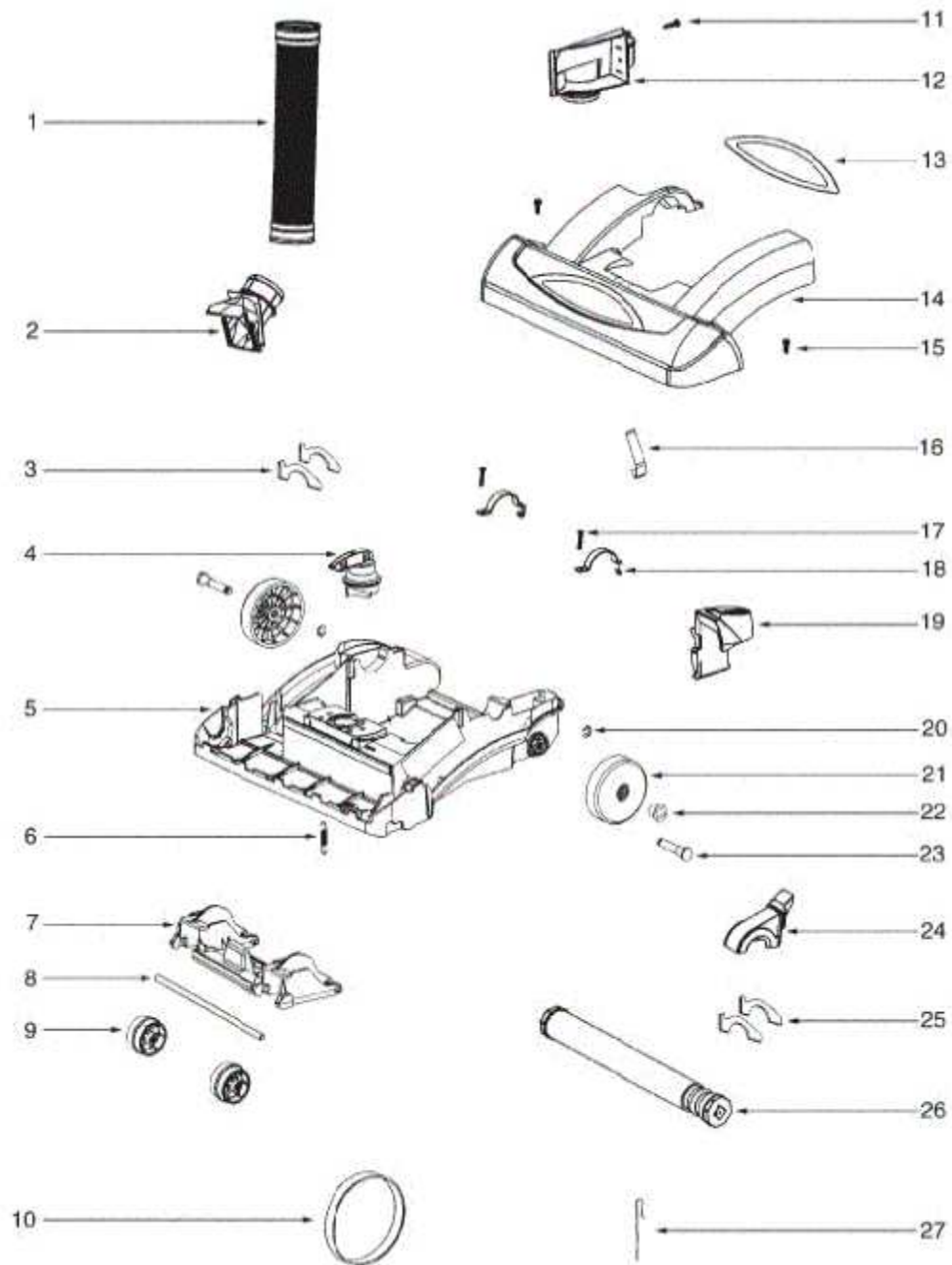


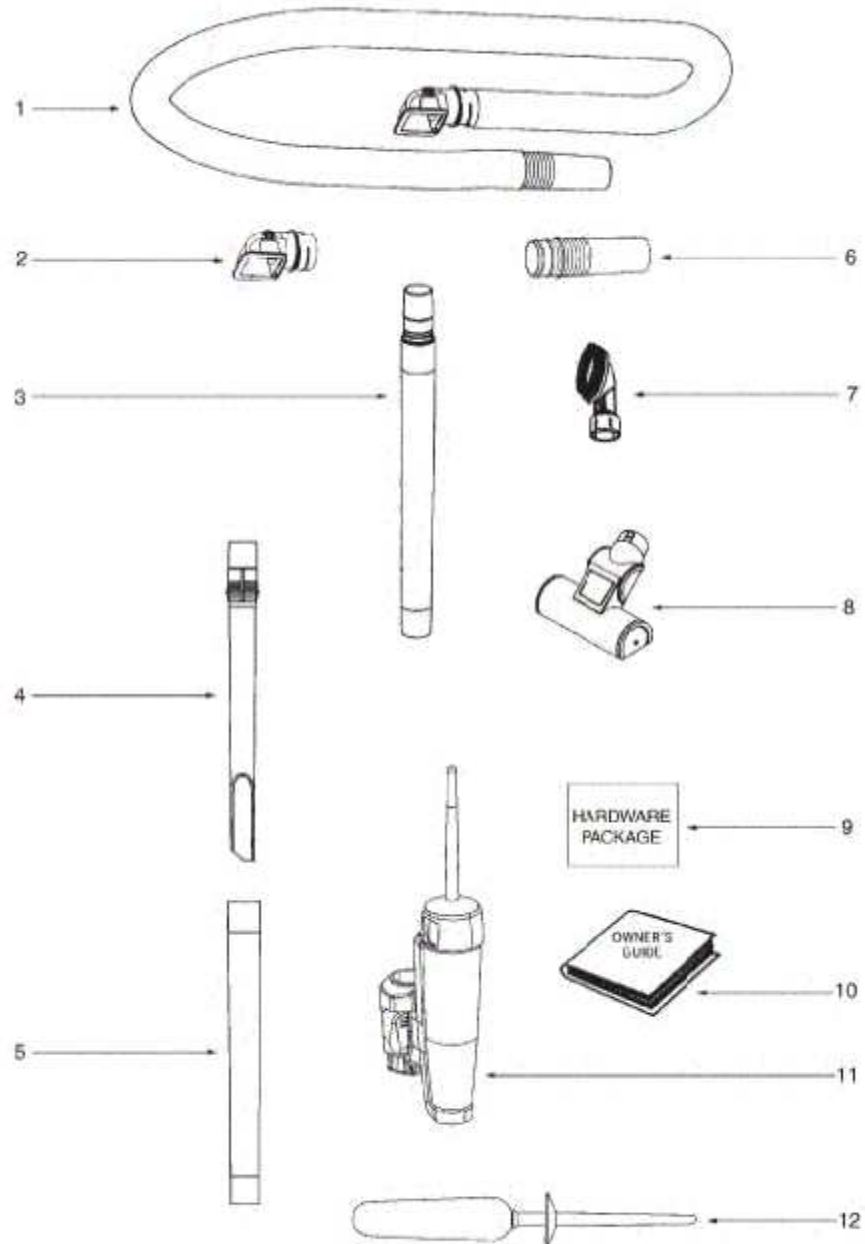
Ref #	Part	Description	Comments	Qty
1	39584-8	CORD - LOW LEAD (17 GA)		
2	60192-1	WIRE SPLICE 5		
3	73251	REAR HOUSING ASSEMBLY		
4	71649	GASKET - MOTOR CAN (Eurek		
5	60261-11	MOTOR ASSEMBLY - PACKAGED		
6	71483	GASKET - DIRT CUP LOWER		
7	71480	FILTER - PRE-MOTOR		
8	61863-3	MOTOR COVER ASSY - PACKAG		
10	71460-313N	LENS - HEADLAMP		
11	53238-44	SCREW PACKAGE		
12	70701-2	SOCKET & TERMINAL ASSY		
13	57940-3	LAMP - HEADLIGHT		
14	39252-1	THERMOSTAT & TERMINAL ASS		
15	72890	CORD EXIT COVER ASSEMBLY		
16	71482	GASKET - INTAKE		
18	71455-119N	TOOL PACK - LOWER		
17	53238-27	SCREW PACKAGE		
20	61830	HEPA FILTER PKG - STYLE H		
21	72006-4	FILTER COVER & GRAPHICS A		
22	70084	BUSHING - MOTOR SUPPORT		
23	71484	GASKET - MOTOR COVER		
24	71969-1	GASKET - MOTOR HUB		
25	39785	CORD - JUMPER		
26	72224-1	FOAM - SOUND		
27	70651-1	TUBE - FLEXIBLE		
28	72167	PLUG		



Ref #	Part	Description	Comments	Qty
1	27871-1	SWITCH - ROCKER		
3	71537-13	CYCLONE ASSEMBLY		
4	61825	DUST CUP FLTR(STYLE DCF3)		
5	61864-1	DUST CUP ASSY - PKGD		
6	72889-1	SWITCH COVER & GRAPHICS A		
7	72846	CORD - UPPER JUMPER (S. S		
9	70864A-119N	HOOK - CORD		
10	54669-5	SCREW PACKAGE		
11	71479-355N	LATCH - DUST CUP		
12	61866	SPRING PACKAGE		
8	53238-27	SCREW PACKAGE		
14	72004-12	TOP COVER & GRAPHICS ASSE		
15	71785-119N	CATCH - FILTER IN PLACE		
16	61867	SPRING PACKAGE		
17	71451-119N	CYCLONE		
18	71475	GASKET - CYCLONE		



Ref #	Part	Description	Comments	Qty
1	71466	BASE HOSE ASSY		
2	71447-119N	BASE HOSE ASSY		
3	73153	FELT - BASE		
4	71448-355N	KNOB - HEIGHT ADJUSTMENT		
5	61877-8	BASE ASSEMBLY - PACKAGED		
6	54943	SPRING PACKAGE		
7	71446A-119N	CARRIAGE - WHEEL		
8	71478	AXLE - FRONT		
9	39173A-119N	WHEEL - FRONT		
10	61120A	BELT PKG ASSY-(U-EXTENDED		
12	71726-119N	BASE HOSE ASSY		
13	72178-5	DELUXE 15" LENS & GRAPHIC		
14	61878-17	HOOD ASSEMBLY - PACKAGED		
15	53238-44	SCREW PACKAGE		
16	71574	SPRING - HANDLE RELEASE		
11	53238-27	SCREW PACKAGE		
18	71487	CLAMP - MOTOR		
19	71457-355N	RELEASE - HANDLE		
20	54432-1	PACKAGE - RETAINING RING		
21	72117-119N	WHEEL - REAR		
22	72113-1	BUSHING - AXLE		
23	38590A	AXLE - REAR		
24	71741A	BELT CAP ASSEMBLY		
25	73152	FELT - BELT CAP		
26	61869-1	BRUSHROLL ASSY - CTND		
27	38063	GUARD - BELT		



Ref #	Part	Description	Comments	Qty
1	61865-3	HOSE ASSY - CTND		
2	71725-313N	ADAPTER - HOSE		
3	71492A	NESTING WAND ASSEMBLY		
4	71956A-355N	WAND - CREVICE		
5	71973-119N	WAND - OUTER		
6	70559A-119N	COUPLING - HOSE		
7	60990-2	COMBINATION BRSH BRSTLD-C		
8	28612A	TURBO NOZZLE ASSY (MODEL		
11	72293-4	ELECTROSTATIC DUSTER ASSE		
12	73530	DUSTER ASSEMBLY		