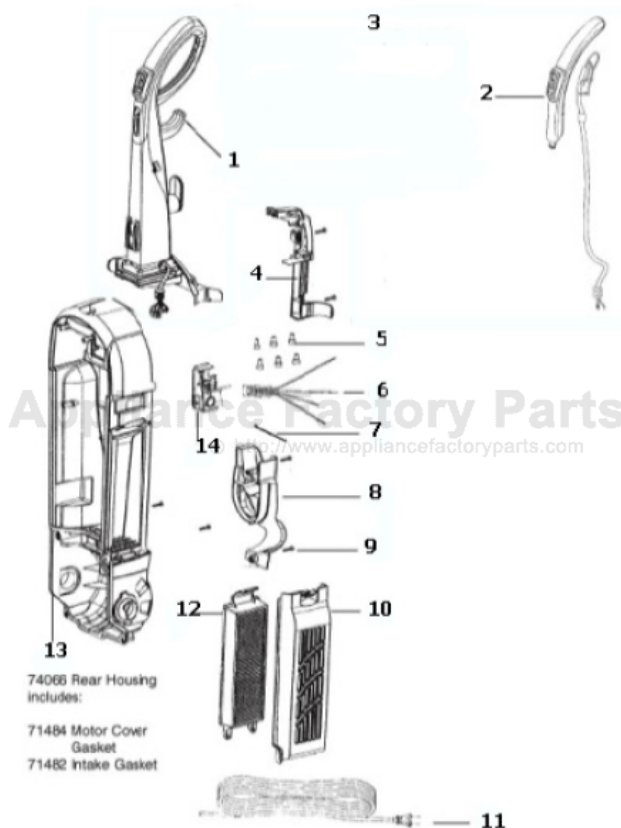


This Owner's Manual is provided and hosted by [Appliance Factory Parts](http://www.appliancefactoryparts.com).



# Eureka 5893AVZ Owner's Manual

[Shop genuine replacement parts for Eureka 5893AVZ](#)

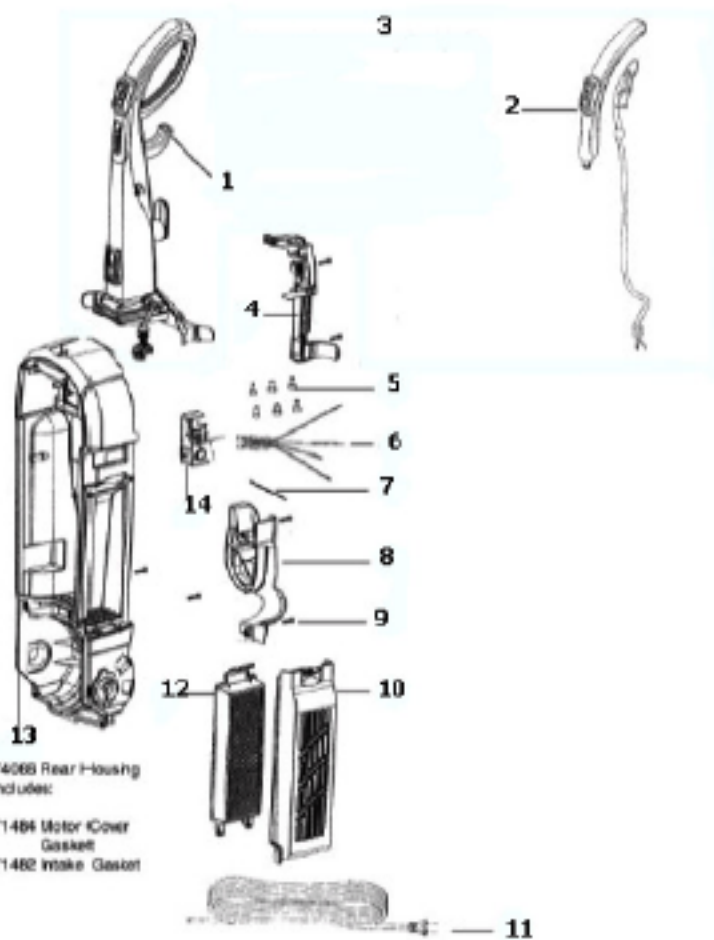


[Find Your Eureka Vacuum Cleaner Parts - Select From 855 Models](#)

----- Manual continues below part list -----

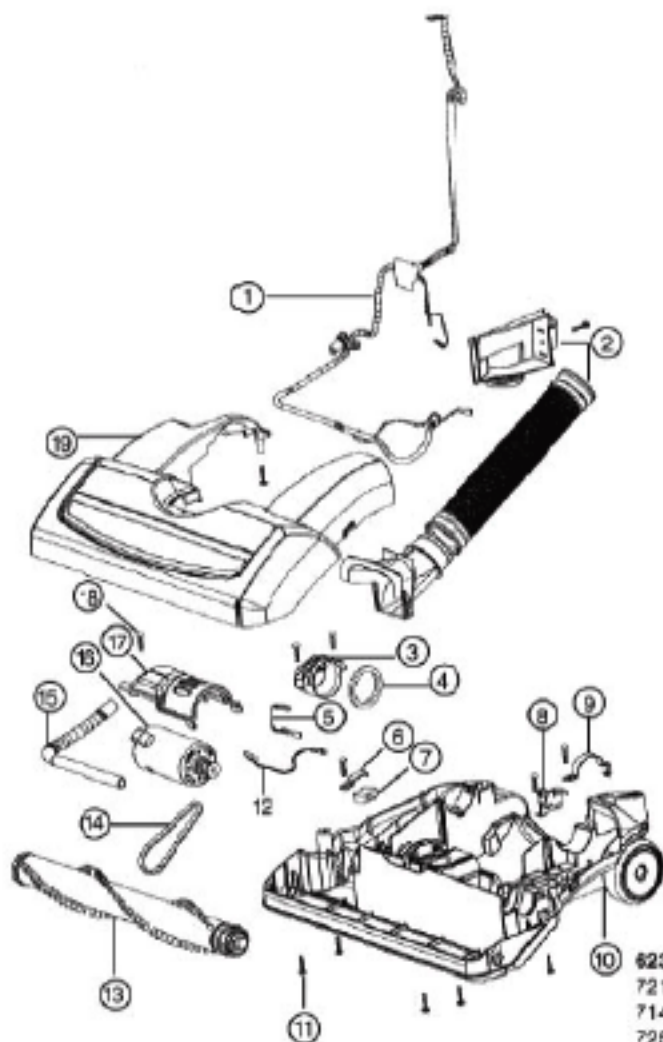
## Available Replacement Parts for Eureka 5893AVZ

<a href="#">E-61830</a>	STYLE HF5 EUREKA HEPA FILTER
<a href="#">72393</a>	ELECTROLUX OXYGEN BELT (1 PACK)
<a href="#">E-73494</a>	FILTER, 1 PK
<a href="#">E-71492</a>	WAND, NESTING W/CREVICE TOOL
<a href="#">e-60990-2</a>	BRUSH
<a href="#">E-71725-313N</a>	ADAPTER-HOSE



## Main Body - 5893AVZ

Ref #	Part	Description	Comments	Qty
1	74075	UPPER HANDLE ASSEMBLY		
2	74359-2	SWITCH COVER ASSEMBLY	Includes items 72846 upper jumper cord and 27871-1 rocker switch.	
3	74074-4	HANDLE ASSEMBLY	Includes item 399770119N cord hook.	
4	74111	CORD EXIT COVER ASSEMBLY		
5	60192-1	WIRE SPLICE 5 (53214-2)	Pkg of 5	
6	73134A	RECTIFIER & LEAD ASSY		
7	46713-3	TIE - CABLE (PURCHASED)		
8	71455-119N	TOOL PAK-LOWER		
9	53238-27	SCREW PKG	Pkg of 10	
10	72006-11	FILTER COVER & GRAPHICS A		
11	39584-8	CORD - LOW LEAD (17 GA)		
12	61830	HEPA FILTER PKG - STYLE H		
13	74066	REAR HOUSING ASSEMBLY	Includes items 71484 motor cover gasket and 71482 intake gasket.	

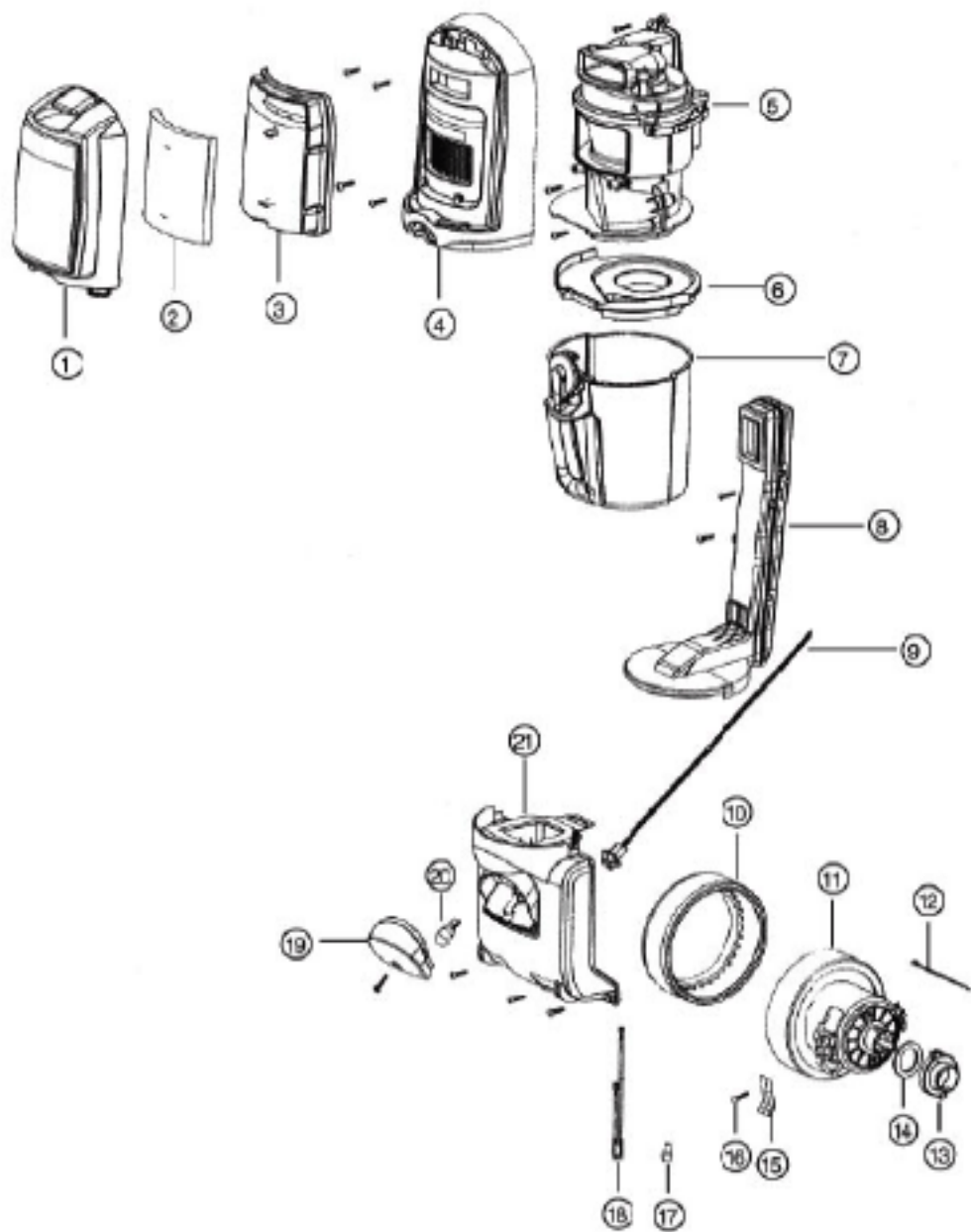


**62375-1 Base Assembly Includes:**

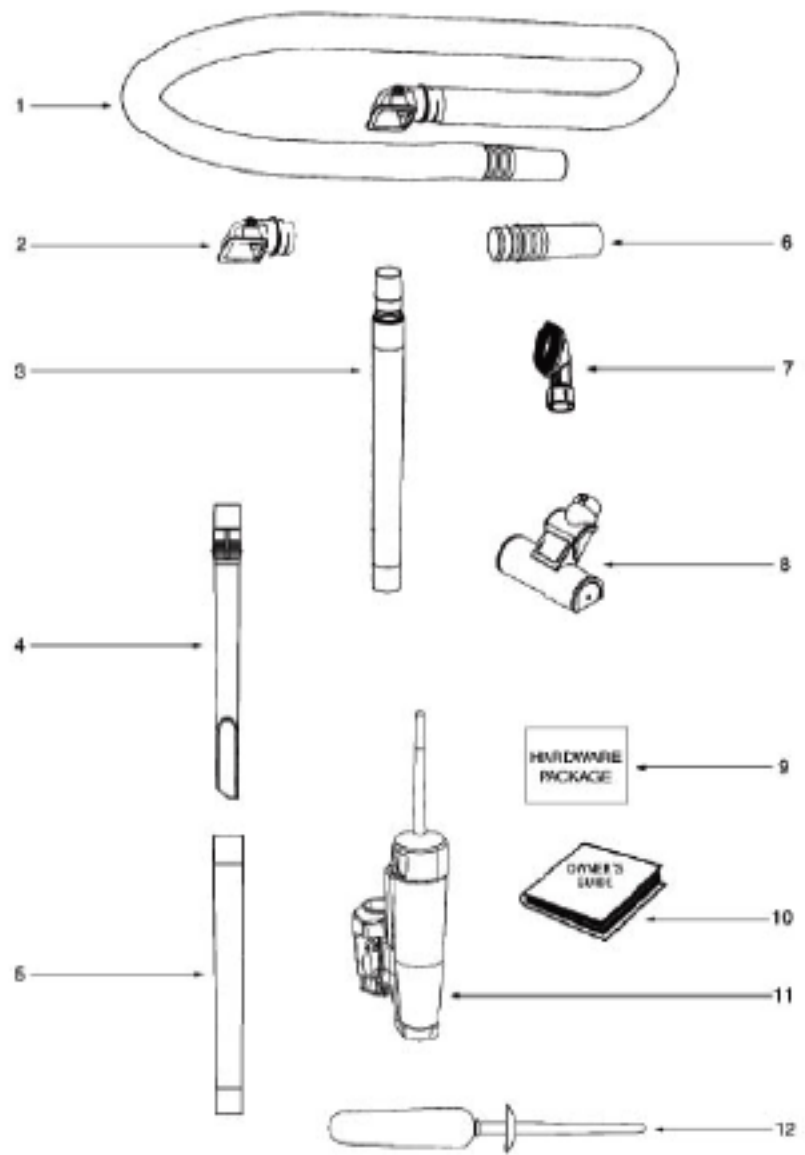
- 72170-119N, wheel carriage
- 71478, front axle
- 72511, front wheel
- 88590A, rear axle
- 73432, axle bushing
- 54943, spring (Pkg of 5)
- 72512-1, rear wheel assy
- 54432-2, retaining ring (Pkg of 10)
- 74776-119N, handle release
- 71574, handle release spring
- 73153, felt - base
- 72397-119N, height adj knob

## Base and Hood - 5893AVZ

Ref #	Part	Description	Comments	Qty
1	73215	CORD - JUMPER (LOWER)		
2	72882	BASE HOSE ASSEMBLY		
3	72733-119N	COVER - SUCTION		
4	72829A	GASKET - SUCTION COVER		
5	39490-6	LEAD & TERMINAL ASSEMBLY		
6	72514	BRACKET - CIRCUIT PROTECT		
7	72401	CIRCUIT PROTECTOR		
8	59397-2	MICRO SWITCH & BRACKET AS		
9	74080	CLAMP - MOTOR		
10	62375-1	BASE ASSY.		
11	54669-6	SCREW PACKAGE		
12	39490-7	LEAD & TERMINAL ASSEMBLY		
13	62365-1	BRUSHROLL ASSY.		
14	72393	COGGED BELT		
15	72827	TUBE - COOLING		
16	62373-1	MOTOR & PULLEY ASSY.		
17	73151	BRUSH ROLL MOTOR COVER AS		
18	53238-27	SCREW PKG	Pkg of 10	
19	62374-7	HOOD ASSEMBLY - PACKAGED		



Ref#	Part	Description	Comments	Qty
1	74070-7	FILTER DOOR ASSEMBLY		
2	74038	FOAM FILTER		
3	73494	FILTER ASSY		
4	74069-2	CYCLONE COVER ASSEMBLY		
5	74068	SLINGER/CYCLONE ASSY.		
6	73500-2	CUP - LID ASSEMBLY		
7	63143-3	DUST CUP PACKAGED		
8	74067	AIR TUBE ASSEMBLY		
9	70701-2	HEADLIGHT SOCKET TERMINAL		
10	74026-119N	GASKET - MOTOR CAN		
11	62075-2	MOTOR		
12	46713-3	TIE - CABLE (PURCHASED)		
13	74112-119N	BUSHING - MOTOR		
14	74664-1	GASKET - MOTOR HUB		
15	72443	THERMOSTAT CLIP		
16	61803-3	SCREW PKG	Pkg of 5	
17	60192-1	WIRE SPLICE 5 (53214-2)	Pkg of 5	
18	73992-1	THERMOSTAT & TERMINAL ASS		
19	74025-313N	LENS - HEADLAMP		
20	57940-3	HEADLIGHT		
21	74354-3	MOTOR COVER ASSEMBLY		
Not Pictured	73388			



Ref #	Part	Description	Comments	Qty
1	61865-13	HOSE ASSEMBLY - CARTONED	Includes items 2 & 6	
2	71725-313N	ADAPTER HOSE		
3	71482A	NESTED WAND	Includes items 4 & 5	
4	71956A-355N	CREVICE WAND		
5	71973-119N	WAND-OUTER		
6	70558A-119N	HOSE COUPLING		
7	60990-2	COMBO BRUSH (S230)(GE)		
8	75391	TURBO NOZZLE ASSEMBLY		
9	72892	PACKAGE - HARDWARE		
10	77415			
11	75628A-3	ELECTROSTATIC DUSTER ASSY	Includes item 12	
12	74123A	Duster Assembly		
13	75430-313N	CLIP - TURBO NOZZLE	Not pictured.	