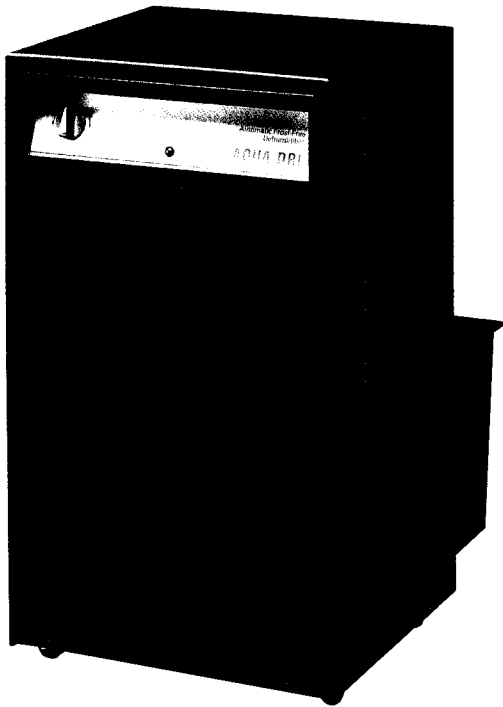


# ILLUSTRATED PARTS BREAKDOWN

# EBCO<sup>®</sup>

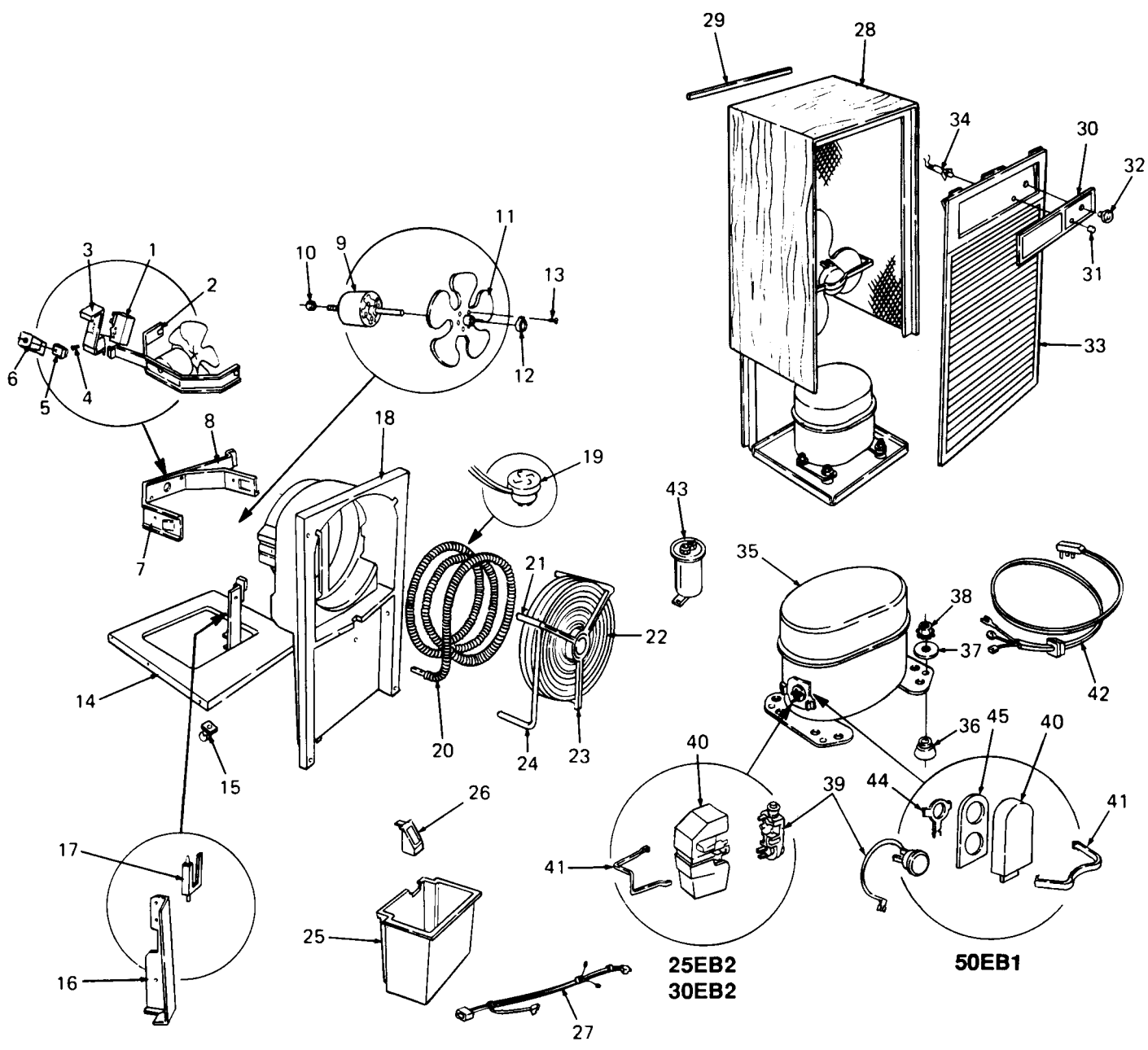
**DEHUMIDIFIER MODELS:  
AQUA-DRI<sup>®</sup>  
25EB2, 30EB2, 50EB1**



## SPECIFICATIONS

Voltage	115 VAC $\pm$ 10%/1PH/60 Hertz	
Size	22-5/16" H., 12-5/8" W., 11-1/2" D.	
Shipping Weight (Approx)	25EB2 .....	50 LBS.
	30EB2 .....	52 LBS.
	50EB1 .....	60 LBS.

Models:	25EB2	30EB2	50EB1
Capacity, Pint	25	30	50
Amps	5.0	6.0	8.25
Ref. Charge/OZ. (Grams)	R-500/9.5 (269)	R-500/7.5 (212)	R-22/6.0 (170)
Oil Charge/OZ.	13	12	10.1



## PARTS LIST

ITEM NO.	DESCRIPTION	25EB2	30EB2	50EB1
1	Humidistat .....	400900	400900	400900
2	Terminal Guard .....	400901	400901	400901
3	Bracket .....	400902	400902	400902
4	Screw .....	400903	400903	400903
5	Switch .....	400904	400904	400904
6	Bracket .....	400905	400905	400905
7	Motor Bracket .....	400906	400906	400906
8	Dampener Bracket .....	400907	400907	400907
9	Fan Motor .....	400908-001	400908-001	400908-001
10	Nut .....	400909	400909	400909
11	Fan Blade .....	400910	400910	400910
12	Clamp .....	400911	400911	400911
13	Screw .....	400912	400912	400912
14	Base w/Casters .....	400913	400913	400913
15	Caster (4 Required) .....	400914	400914	400914
16	Bracket .....	400915	400915	400915
17	Bucket Switch .....	400916	400916	400916
18	Shroud .....	400917	400917	400917
19	Defrost Thermostat .....	400918	400918	400918
20	Condenser .....	400920	400920	400958
21	Inner Evaporator Clamp .....	400921	400921	400921
22	Evaporator .....	400922	400922	400959
23	Outer Evaporator Clamp .....	400924	400924	400924
24	Capillary Tube 28" .....	400925	---	---
	Capillary Tube 25" .....	---	400926	---
	Capillary Tube 45" .....	---	---	400960
25	Bucket w/Float .....	400928	400928	400928
26	Float .....	400929	400929	400929
27	Wiring Harness .....	400930-001	400930-001	400930-002
28	Wrapper .....	400931	400931	400931
29	Trim .....	400932	400932	400932
30	Trimplate .....	400933	400934	400962
31	Lens - Amber .....	400936	400936	400936
32	Knob (2) .....	400937	400937	400937
33	Front Panel .....	400938	400938	400938
34	Light .....	400939	400939	400939
<b>Not Shown</b>				
	Rear Grille .....	---	---	400961

**SEE PAGE 4 FOR COMPRESSORS AND SERVICE CORDS**

## COMPRESSORS AND SERVICE CORDS

### USED ON MODEL 25EB2

35	Compressor .....	400940
36	Grommet .....	400942
37	Washer .....	400943
38	Nut .....	400944
39	Overload/Relay .....	400945
40	Cover .....	400947
41	Clamp .....	400948
42	Power Cord .....	400949

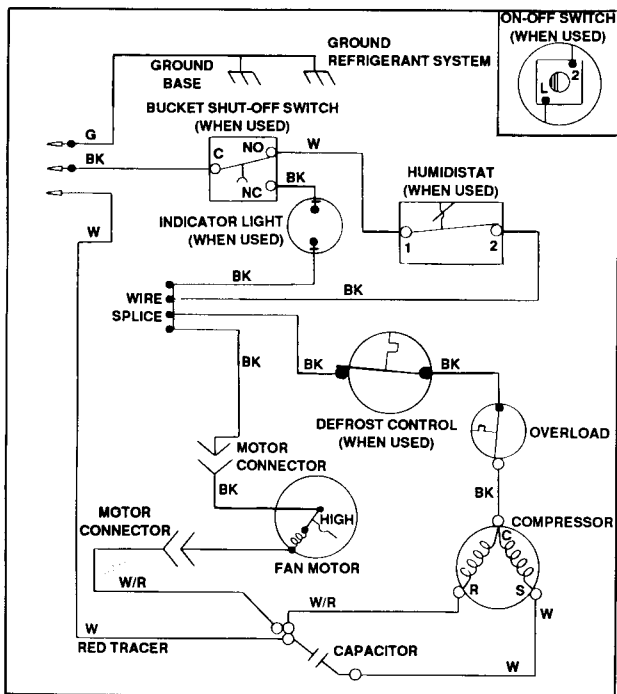
### USED ON MODEL 30EB2

35	Compressor .....	400941
36	Grommet .....	400942
37	Washer .....	400943
38	Nut .....	400944
39	Overload/Relay .....	400946
40	Cover .....	400947
41	Clamp .....	400948
42	Power Cord .....	400949

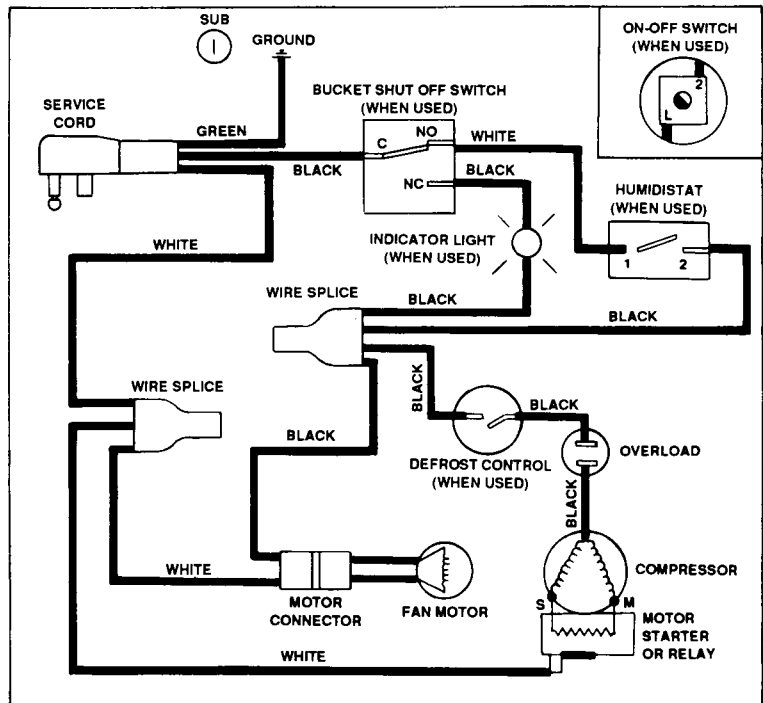
### USED ON MODEL 50EB1

35	Compressor .....	400963
36	Grommet .....	400964
37	Washer .....	400943
38	Nut .....	400944
39	Overload .....	400965
40	Cover .....	400966
41	Clamp .....	400962
42	Power Cord .....	400949-001
43	Capacitor .....	400968
44	Overload Clip .....	400969
45	Terminal Cover Gasket .....	400970

## ELECTRICAL DIAGRAM



50EB1



25EB2  
30EB2

AQUA-DRI® is a registered trademark of EBCO Manufacturing Company

**EBCO**® MANUFACTURING COMPANY

265 N. Hamilton Rd. • P.O. Box 13150 • Columbus, OH 43213-0150 • 614/861-1350 • Fax: 614/861-5017

Printed in U.S.A.  
Copyright 1993 EBCO Manufacturing Co.