

PARTIAL STAINLESS STEEL GAS BBQ GRILL USER'S MANUAL

MODEL NUMBER: PG-40402S0L

CUSTOMER SERVICE: (888)-287-0735

FOR OUTDOOR USE ONLY

LIMITED WARRANTY

Model Number: PG-40402S0L PermaSteel BBQ Grill

PERMASTEEL INC. Warranties that this Product shall be free from defects in workmanship and materials, for a period of 1 Year from the date of original purchase. Our obligation under this warranty shall be limited to replacement of parts during the warranty period. Our liability shall not extend beyond replacement of parts, This warranty excludes igniter batteries, normal wear & tear such as paint loss, discoloration and rust on the Product and its parts or components, and any damage arising from any of the following: negligent use or misuse of the Product, use contrary to this User's Manual, or alteration by any one other than Permasteel Inc. All warranty coverage is void if this grill is ever used for commercial or rental purposes; this warranty is valid only in the USA. the warranty period of 1 year shall not be extended or renewed by the repair or replacement of parts or compensation for the Product. If your Product is defective or otherwise requires service or parts, please call Permasteel Customer Service toll-free at (888)-287-0735, between 8:00 a.m. and 5:00 p.m. PST. Consumer is responsible for shipping, handling and processing of warranty claims after 30 days of purchase date. As proof of purchase a copy of your original purchase receipt must accompany any service request,

<u>Component</u>	<u>Warranty Period:</u>
Burners:	1 Year
Flame Tamer:	1 Year
Cooking Grids:	1 Year
Valves:	1 Year
Frame, Housing, Cart, Control Panel, Igniter, and Related Parts:	1 Year
All Stainless Steel Parts:	1 Year

LIMITATION OF REMEDIES AND LIABILITY

We shall not be liable for any incidental or consequential damages for breach of any express or implied warranty on its Product. Except to the extent prohibited by applicable law, any implied warranty or merchantability or fitness for a particular purpose on this Product shall be limited to the duration of the above warranty. Neither us nor anyone else who has been involved in the creation, production, or delivery of the Product shall be liable for damages of any type, including but not limited to any lost profits, lost savings, loss of anticipated benefits, or other incidental or consequential damages which may arise out of the purchase, use, or inability to use the Product, whether arising out of contract, negligence, strict tort, or under any warranty, or otherwise, even if you have been advised of the possibility of such damage or any other claim by any other party. Our liability for any breach of warranty shall be limited to repair or replacement of the defective part or parts as described above. Some states do not allow the exclusion or limitation of incidental or consequential damages, so the above limitation or exclusion may not apply to you. The above warranty gives you specific legal rights, and you may have other rights which vary from state to state.

TABLE OF CONTENTS

BEFORE YOU BEGIN

MESSAGE TO OUR USERS	PAGE 1
SAFETY SYMBOLS	PAGE 1
INSTALLATION & SAFETY PRECAUTIONS	PAGE 2
PROPANE & GAS WARNING	PAGE 2

ASSEMBLY

PARTS	PAGE 3
STEP I	PAGE 7
STEP II	PAGE 8
STEP III	PAGE 9
STEP IV	PAGE 10
STEP V	PAGE 11
STEP VI	PAGE 12
STEP VII	PAGE 13
STEP VIII & IX	PAGE 15
STEP X	PAGE 16

POST ASSEMBLY

GAS CONNECTION	PAGE 17
LEAK TESTING	PAGE 21
FINAL INSTALLATION CHECK LIST	PAGE 22
GRILL LIGHTING INSTRUCTION	PAGE 23
OPERATING INSTRUCTION	PAGE 25
CARE & MAINTENANCE	PAGE 28
TROUBLE SHOOTING	PAGE 30
FOOD SAFETY	PAGE 31
GRILL STORAGE	PAGE 31

MESSAGE TO OUR USERS

Thank you for your purchase of our BBQ Gas Grill. We sincerely wish you will enjoy using our fine products.

- Please read this User's Manual in its entirety before using the grill.
- Please contact our customer service at (888)-287-0735 if you have any questions.
- Please read this User's Manual carefully. Failure to follow the provided instruction can result in seriously bodily injury and/or property damage.
- Some parts of this grill may have sharp edges. Please wear suitable protective gloves.




IMPORTANT: This grill is intended for outdoor use only and is not intended to be installed in or on recreational vehicles or boats.

NOTE TO INSTALLER: Leave this User's Manual with the customer after delivery and/or installation.

NOTE TO CONSUMER: Leave this User's Manual in a convenient place for future reference.

SAFETY SYMBOLS

The symbols listed here are being used through out this User's Manual. Please pay special attention to them. The meaning of each of the symbols is listed here:

-  **DANGER**– this symbol indicates an imminently hazardous situation which will result in death or serious bodily injury if not properly followed.
-  **WARNING**– this symbol indicates a warning of potential serious bodily injury if the instructions are not strictly followed. Please be sure to read and follow all these messages carefully.
-  **CAUTION!** – this symbol indicates a potentially hazardous situation which may result in minor or moderate bodily injury if the instructions are not properly followed.

INSTALLATION/SAFETY PRECAUTIONS

WARNING



READ THIS SECTION FIRST BEFORE INSTALLING THE GRILL

- This grill is designed to use LP gas only. Please use the grill with the regulator supplied by PermaSteel.
- The installation of this appliance must conform with local codes or, in the absence of local codes, with either the **National Fuel Gas Code, ANSI Z223.1/ NFPA 54, Natural Gas and Propane Installation Code, CSA B149.1, or Propane Storage and Handling Code, B149.2, or the Standard for Recreational Vehicles, ANSI A 119.2/NFPA 1192, and CSA Z240 RV Series, Recreational Vehicle Code, as applicable.**
- The LP-gas supply cylinder is to be constructed and marked in accordance with the specifications for LP-gas cylinders of the **U.S. Department of Transportation (DOT) or the National Standard of Canada, CAN/CSA-B339, Cylinders, Spheres and Tubes for the Transportation of Dangerous Goods.**
- If an external electrical source is utilized, the outdoor cooking gas appliance, when installed, must be electrically grounded in accordance with local codes or, in the absence of local codes, with **the National Electrical Code, ANSI/NFPA 70, or the Canadian Electrical Code, CSA C22.1.** Keep the power cord of the motor away from the hot surfaces of the grill while in use. Remove and store the motor in a dry place when not in use.
- This grill is safety certified for use in the United States and Canada only. Never modify to use in other places. Modification may cause serious bodily injury or property damage. PermaSteel is not responsible for any modifications, and all warranties will be void.

PROPANE & GAS WARNING



WARNING

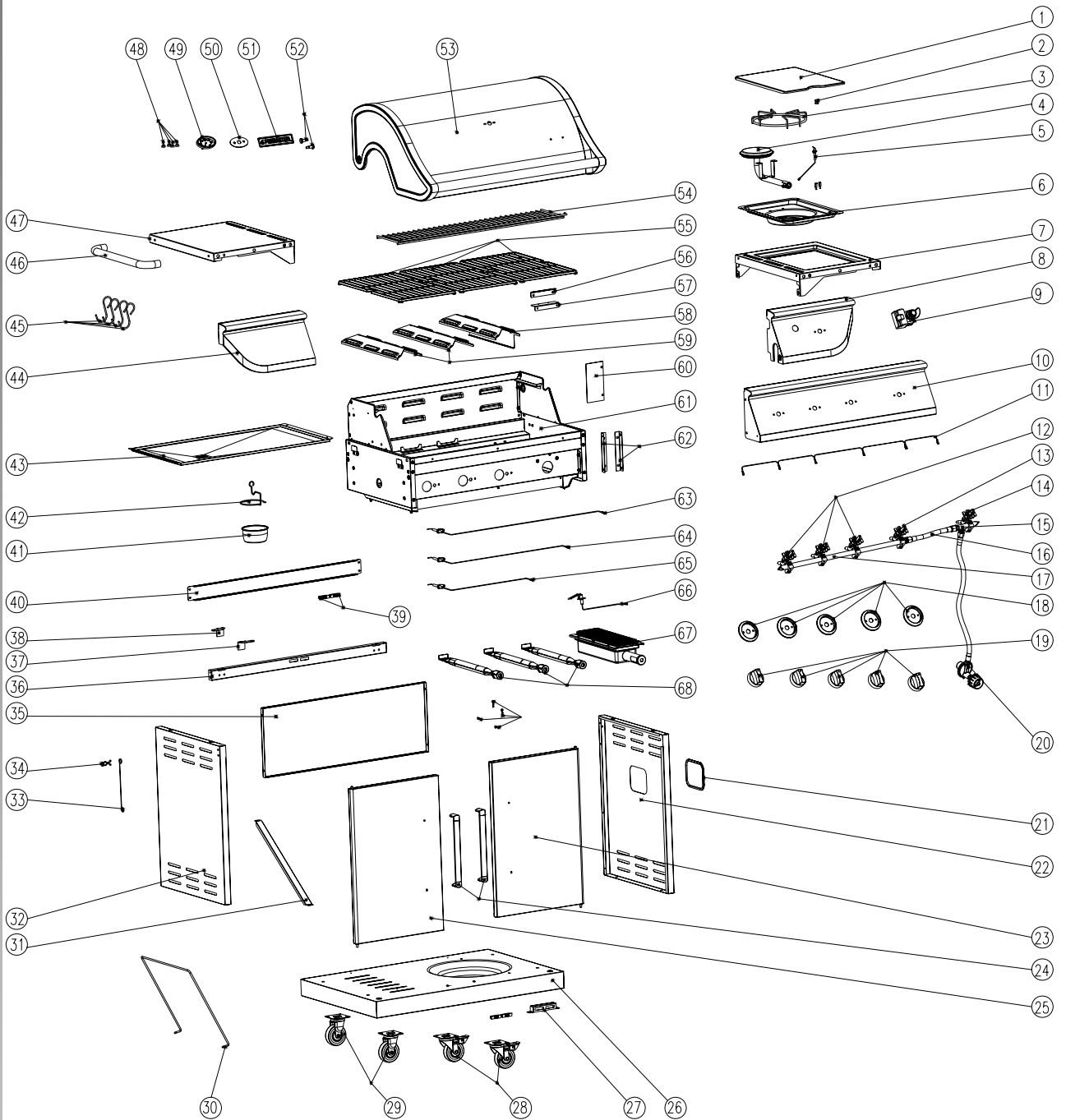
FOR YOUR SAFETY, PLEASE READ THIS SECTION FIRST

- If you smell gas:
 - Shut off gas to the grill.
 - Extinguish any open flames immediately.
 - Open the grill lid.
 - If the odor persists, please call your gas supplier or your fire department immediately.
- Do not store or use gasoline or other flammable items in the vicinity of this grill.
- Any LP cylinder that is not connected for use should not be stored in the vicinity of this grill.

GRILL PARTS LIST

REF#	DESCRIPTION	Qty	REF #	DESCRIPTION	Qty
1	Sideburner Lid	1	35	Back Panel	1
2	Rotate Rod, Sideburner Lid	2	36	Door Bracket	1
3	Sideburner Grid	1	37	Right Door Pin Bracket	1
4	Sideburner	1	38	Left Door Pin Bracket	1
5	Ignitor Wire, Sideburner	1	39	Top Door Magnet	1
6	Sideburner Base	1	40	Back Rail	1
7	Right Side Shelf	1	41	Grease Cup	1
8	Fascia, Right Side Shelf	1	42	Grease Cup Clip	1
9	Electronic Ignition Module	1	43	Grease Accumulate Panel	1
10	Control Panel	1	44	Fascia, Left Side Shelf	1
11	Impulse Control Line	1	45	Hook	4
12	Gas Valve, Main Burner	3	46	Push Bar	1
13	Gas Valve, Searing Burner	1	47	Left Side Shelf	1
14	Gas Valve, Sideburner	1	48	Silicome Rubber Bumper	4
15	Manifold, Sideburner	1	49	Temperature Gauge	1
16	Sideburner Hose	1	50	Bezel, Temperature Gauge	1
17	Manifold, Main Burner	1	51	Logo Plate	1
18	Bezel, Control Knob	5	52	Rotate Rod, Lid	2
19	Control Knob	5	53	Lid	1
20	Regulator	1	54	Warming Rack	1
21	Hole Bush	1	55	Cooking Grate	3
22	Right Side Panel	1	56	Back Bracket, Searing Burner	1
23	Right Door	1	57	Front Bracket, Searing Burner	1
24	Door Handle	2	58	Right Heat Diffuser	1
25	Left Door	1	59	Heat Diffuser	2
26	Bottom Shelf	1	60	Gas Hose Shield	1
27	Lower Door Magnet	1	61	Firebox	1
28	Caster With Brake	2	62	Fixer, Control Panel	2
29	Caster	2	63	No.1 Ignitor Wire, Main Burner	1
30	Tank Holder	1	64	No.2 Ignitor Wire, Main Burner	1
31	Tank Baffle	1	65	No.3 Ignitor Wire, Main Burner	1
32	Left Side Panel	1	66	Electrode, Main Burner	1
33	Match Holder	1	67	Searing Burner	1
34	Mater Holder Bracket	1	68	Main Burner	3

GRILL PARTS DIAGRAM



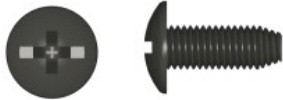



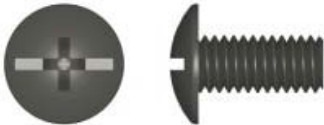
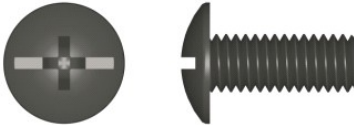




Notice: This part list is for your reference only, some parts will be different, please subject to the actual appliance in carton.

ASSEMBLY INSTRUCTIONS

**PLEASE READ AND FOLLOW THESE INSTRUCTIONS CAREFULLY
STEP BY STEP**

Tools Required:

- Adjustable wrench (not provided)
- Screwdriver (not provided)
- 7/16" Combination wrench (not provided)
- The following hardware is provided in blister pack:

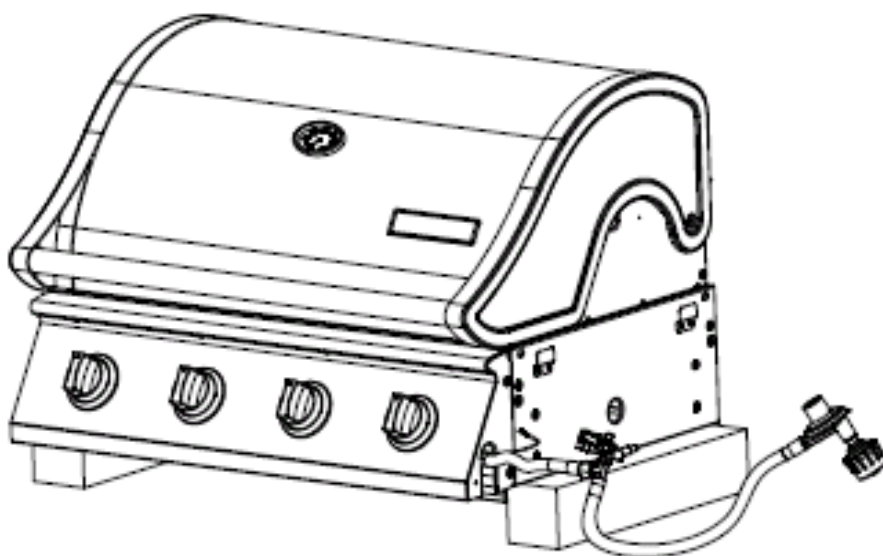
M4X10 screw Qty: 20 pcs 		
M5X10 screw Qty: 4 pcs 	M5 flat washer Qty: 4 pcs 	M5 lock washer Qty: 4 pcs 
M6X13 screw Qty: 16 pcs 	M6X15 screw Qty: 16 pcs 	M6 flat washer(Dia 16) Qty: 8 pcs 
M6 flat washer(Dia 12) Qty: 16 pcs 	M6 compression washer Qty: 8 pcs 	M6 lock washer Qty: 24 pcs 

ASSEMBLY INSTRUCTIONS

STOP!

Before proceeding further, follow the instructions below!

Open shipping box by slicing down its edges with a box cutter. Remove all packed grill parts and packing materials from the styrofoam support pieces. Obtain the aid of an assistant to remove the grill head from the support pieces. Place the grill head on its side; do not place it on its bottom or the grease tray could become bent. Remove the rest of the grill parts from the styrofoam support pieces, then place the grill head onto the support pieces, as shown in the picture to the right. Carefully open the grill head and remove the contents packed in it.



ASSEMBLY INSTRUCTIONS

STEP I:

Bottom Shelf

■ Turn bottom shelf upside down. Attach the wheels to bottom shelf with (16) **M6x15 screws**,

■ **M6 lock washers** and **M6 flat washers (Dia 12)**. Note: The casters with brakes should be mounted on the side with cutout holes.

■ Turn bottom shelf right side up. Attach door magnets to bottom shelf with (2) **M4x10 screws**.



M6X15 screw Qty: 16 pcs



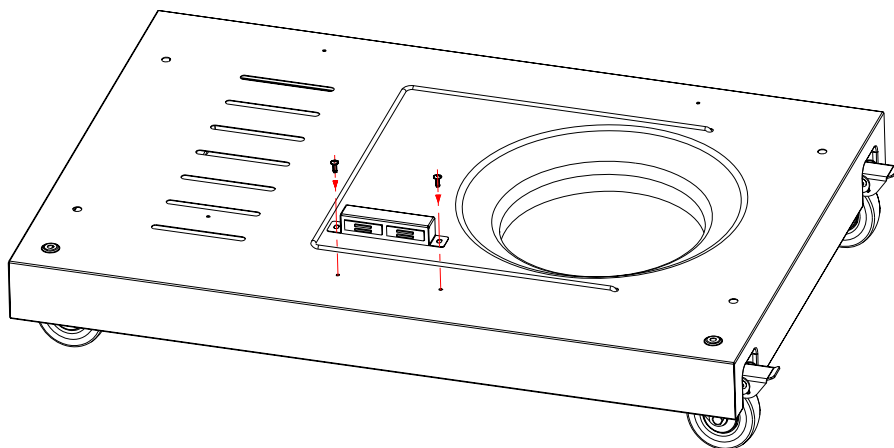
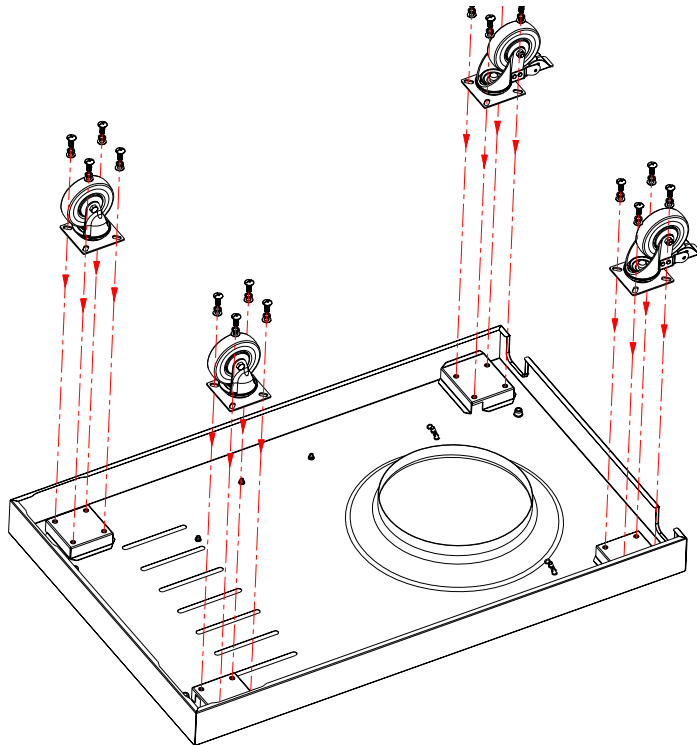
M6 lock washer Qty: 16 pcs



M6 flat washer(Dia 12)Qty: 16 pcs



M4X10 screw
Qty: 2 pcs

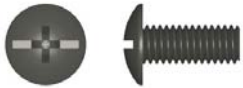


ASSEMBLY INSTRUCTIONS

STEP II:

Cart

- To attach side panels, align side panel leg holes with leg holes on each side of bottom shelf. Left side panel has match holder attachment.
- Attach left and right side panels to sides of bottom shelf with (4) **M6x13 screws**, **M6 lock washers** and **M6 flat washers (Dia 16)**. (A)
- Attach back panel to bottom shelf and two side panels with (6) **M4x10 screws**. (B)
- Attach tank baffle bar to back panel and bottom shelf with (2) **M4x10 screws**. (C)



M6X13 screw Qty: 4
pcs



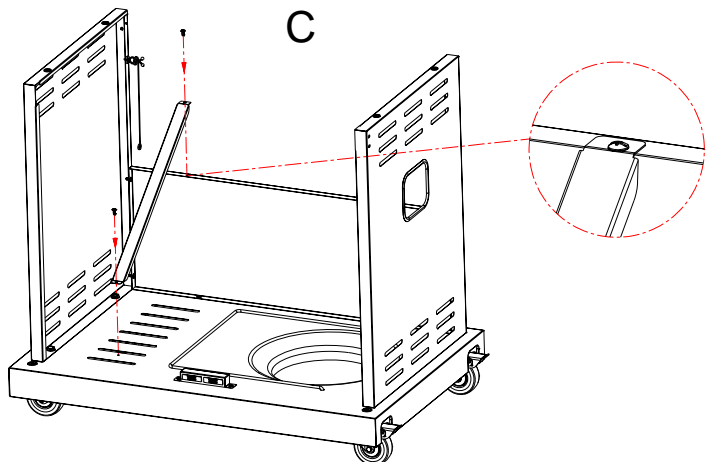
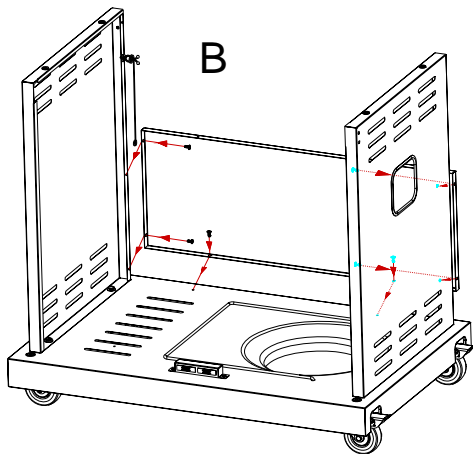
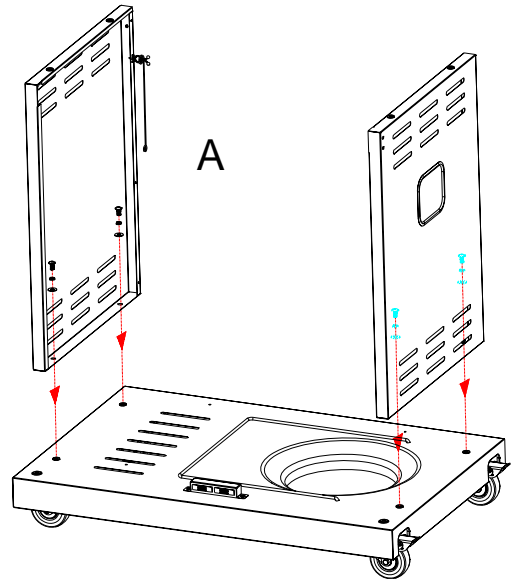
M6 flat washer (Dia 16)
Qty: 4 pcs



M4X10 screws Qty:
16 pcs



M6 lock washer Qty: 4 pcs

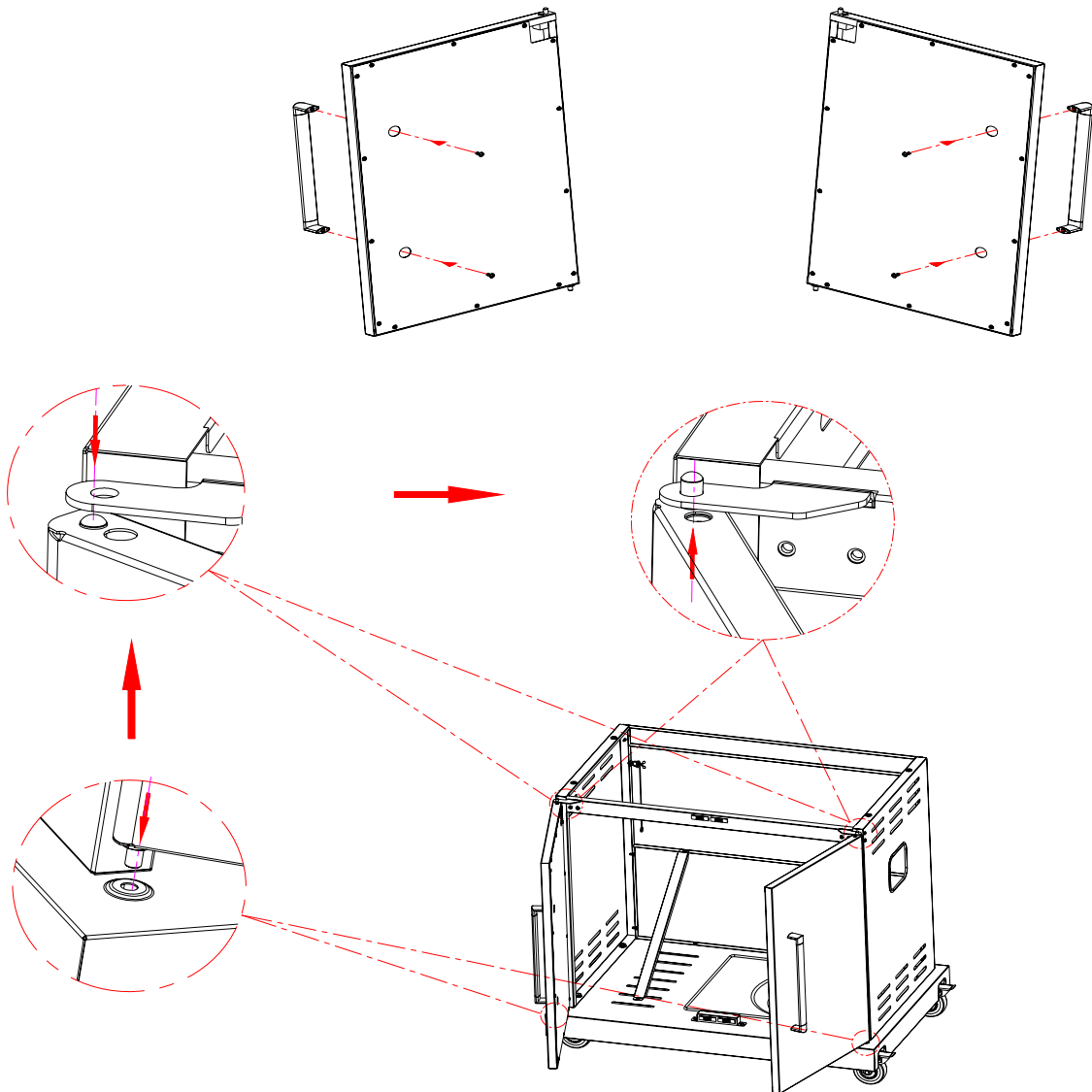


ASSEMBLY INSTRUCTIONS

STEP III:

Front Doors

- Remove the (4) M4x10 screws pre-assembled to the door handle ends, and use them to attach handles to doors.
- Insert the lower door pin into the hole on the bottom shelf. Push down the upper door pin, align it beneath hole in door pin bracket, and release pin so that it inserts in hole.
- Repeat this for the other door.
- Note: If the doors do not line up when closed or cannot close freely, loosen the screws on the door pin bracket. Adjust the door pin bracket as necessary, and retighten screws. Recheck door alignment once grill is completely assembled and readjust if necessary.



ASSEMBLY INSTRUCTIONS

STEP IV:

Grill Head to Cart

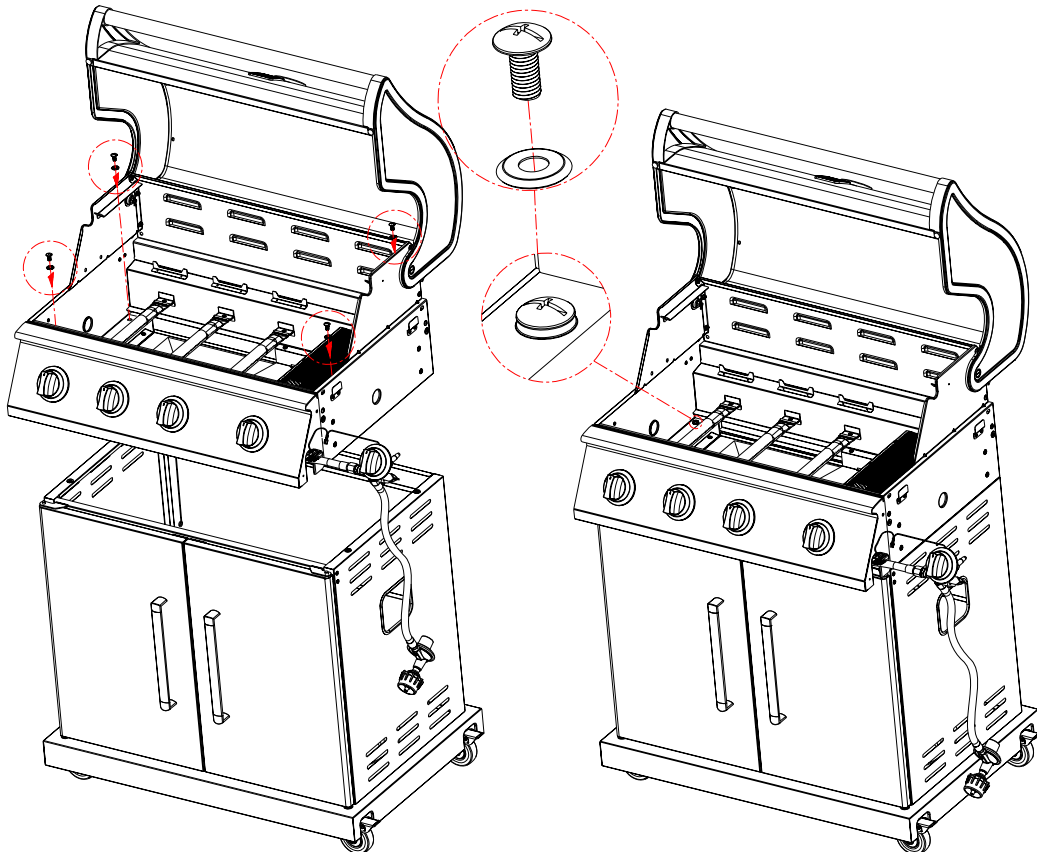
- This step requires two people to lift and position grill head onto cart.
- Remove the tie wraps securing regulator hose to underside of grill head. Pull hose and ignite wires out to side of grill head.
- Carefully lower the grill head onto the cart. Make sure the regulator hose and ignite wires are hanging outside the cart. Open lid and attach head to cart with (4) **M6x13 screws** and **M6 compression washers**.



M6X13 screw Qty: 4 pcs



M6 compression washer Qty: 4 pcs



ASSEMBLY INSTRUCTIONS

STEP V:

Left Side Shelf

■ Slide 4 hooks onto push bar in orientation shown below. (A). Hook ends must face away from grill in operation position. (D). Remove the (2) M5x10 screws, M5 lock washers and M5 flat washers pre-assembled to the push bar ends, and use them to attach push bar to shelf. (A)

■ Attach fascia to left side shelf with (2) **M5x10 screws, M5 lock washers and M5 flat washers.** (B)

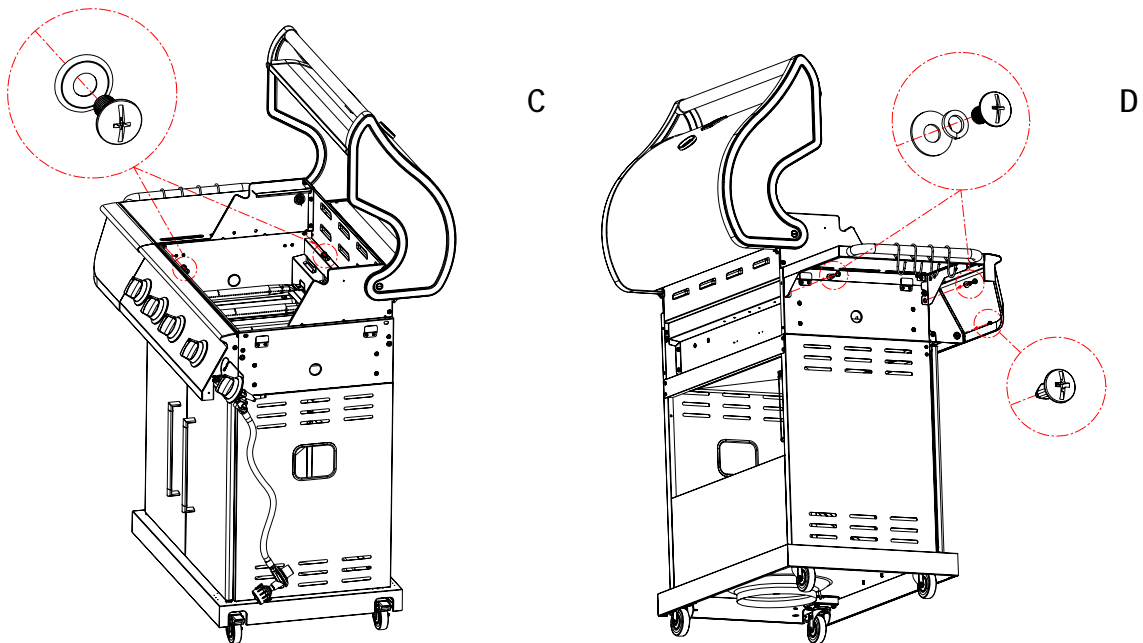
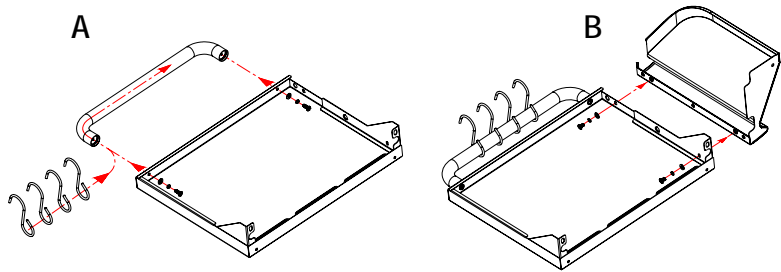
■ Hang shelf onto brackets on left side of firebox.

■ Attach shelf to firebox as follows:

– From inside to outside of firebox with (2) **M6x13 screws and M6 compression washers.**(C)

– From outside to inside of firebox with (2) **M6x13 screws, M6 lock washers and M6 flat washers (Dia 16).** (D)

■ Attach fascia to control panel with (1) **M4x10 screw.** (D)



ASSEMBLY INSTRUCTIONS

STEP VI:

Right Side Shelf

■ Remove side burner grate from side burner before assembling and attaching the right side shelf.

■ Attach fascia to right side shelf with (2) **M5x10 screws**, **M5 lock washers** and **M5 flat washers** .(A)

■ Hang right side shelf onto the brackets on right side of firebox.

■ Attach fascia and right side shelf to firebox as follows:

- From inside to outside with (2) **M6x13 screws** and **M6 compression**. (B)

- From outside to inside with (2) **M6x13 screws**, **M6 lock washers** and **M6 flat washers (Dia 16)**.

- To control panel under side shelf with (1) **M4x10 screw** .(C)

M5X10 screw
Qty: 2 pcs



M5 lock washer
Qty: 2 pcs



M5 flat washer
Qty: 2 pcs



M6 compression
washer
Qty: 2 pcs



M6X13 screws
Qty: 4 pcs



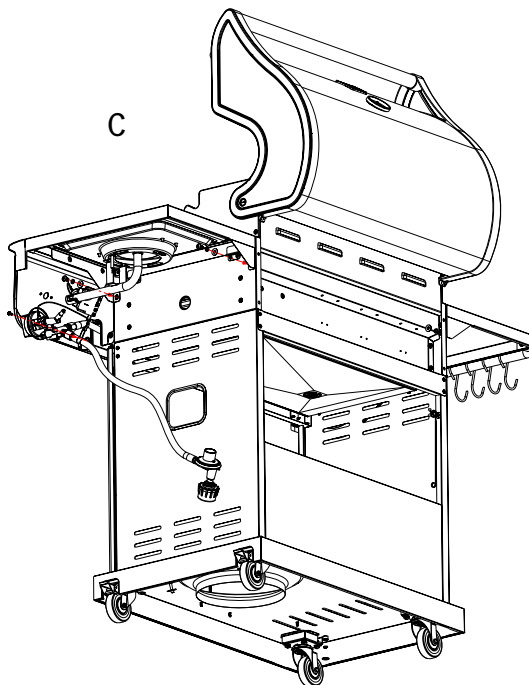
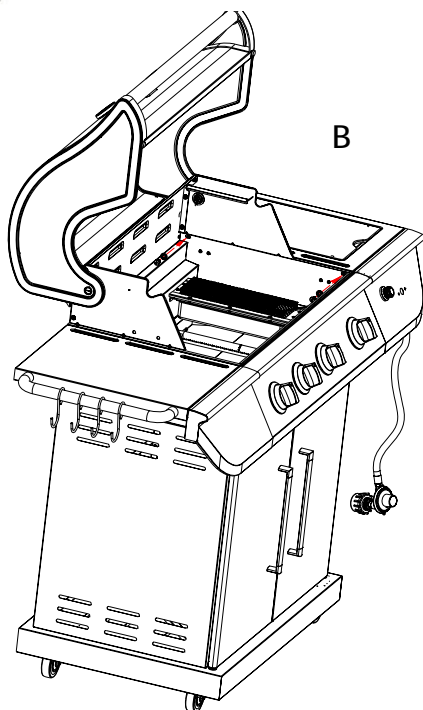
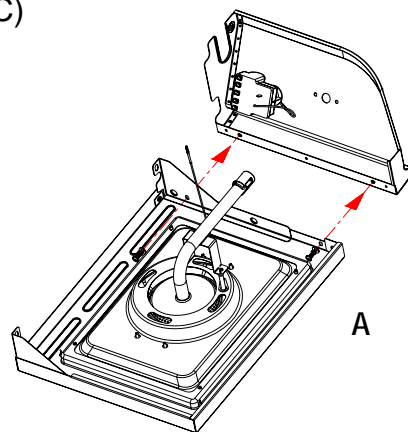
M6 lock washer
Qty: 2 pcs



M6 flat washer(Dia
16)
Qty: 2 pcs



M4X10 screw
Qty: 1 pc



ASSEMBLY INSTRUCTIONS

STEP VII:

Side burner

■ Loosen side burner in side shelf. To loosen, unscrew and remove two front screws and washers holding side burner in place. Note: Do not loosen electrode screw.

■ Remove knob and bezel from side burner control valve. To remove, pull knob straight out from valve stem. Unscrew bezel from valve face and set the two screws aside.

■ Insert valve stem through hole in fascia. Attach bezel to fascia and valve face with previously removed 2 screws.

■ Place side burner tube over the valve, making sure that valve is inside side burner tube as shown.

■ Reattach side burner to side burner shelf with the 2 previously removed screws and washers.

■ Push control knob onto side burner valve stem.

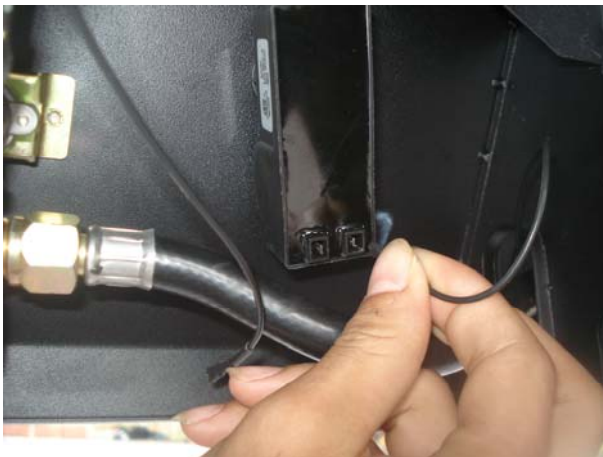
■ Replace side burner grate.

■ Connect both ignite wires to the ignite module on the inside of the right fascia. To connect, push ignite wire tips onto pins in ignite module.

■ Unscrew ignite cap from control panel. Insert (1) AA battery (not provided) into battery slot with positive end (+) facing outward. Screw ignite cap back onto panel.



ASSEMBLY INSTRUCTIONS

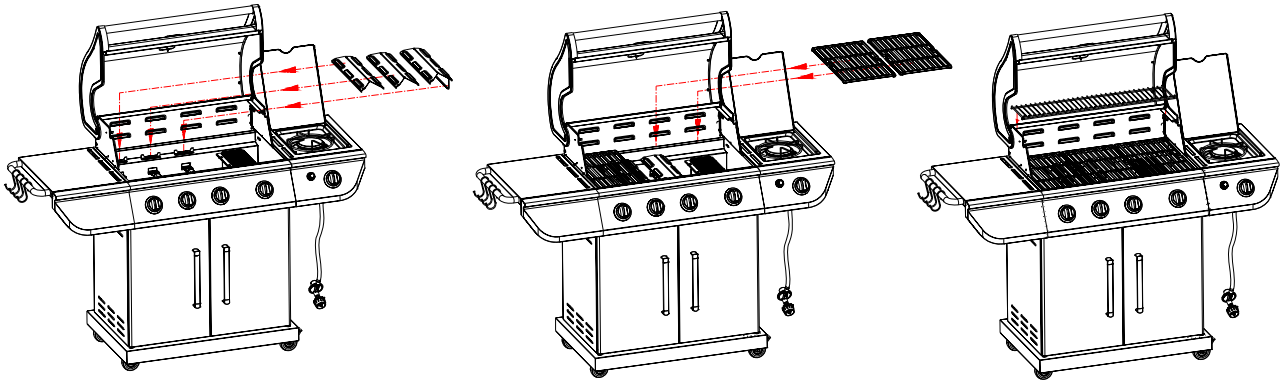


ASSEMBLY INSTRUCTIONS

STEP VIII:

Heat Diffusers, Cooking Grate and Warming Rack

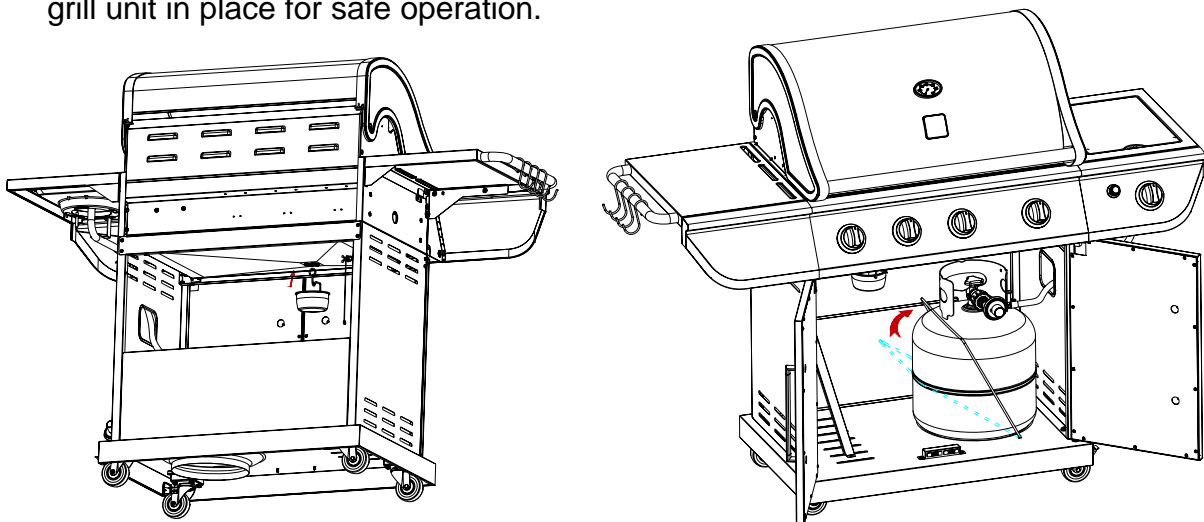
- Place heat diffusers over burners by inserting tabs into slots in front and back of firebox..
- Place cooking grates onto grate rests.
- Insert warming rack into brackets at top of firebox as shown..



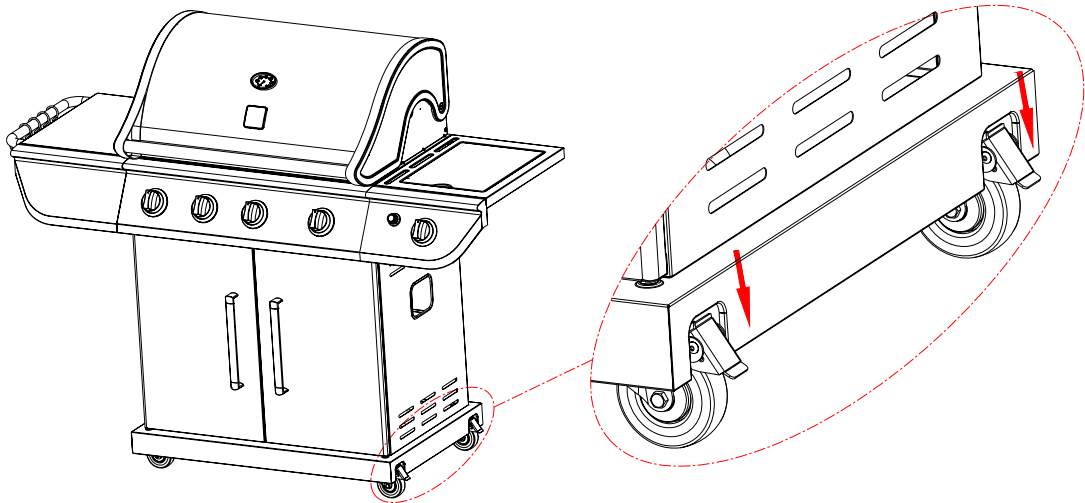
STEP IX:

Grease Cup Clip, Grease Cup and LP tank

- Hang grease cup clip from bottom of firebox and place grease cup into grease cup clip.
- Unscrew the hose hook, place the hose of regulator inside the hook, then screw it back into place.
- LP tank is sold separately. Use only with an OPD (Overfill Protection Device) equipped LP tank. Fill and leak check before attaching to grill and regulator.
- Place LP tank into hole in bottom shelf with tank collar opening facing to side as shown. Raise tank holder to hold LP tank securely in place.
- When the grill is in the desired location, lock the caster brakes, this will help the grill unit in place for safe operation.



ASSEMBLY INSTRUCTIONS



REGULATOR REPLACE

STEP X:



DANGER: Regulator replacing **MUST BE HANDLE BY A TECHNICIAN**, failure to comply could result in property damage, personal injury or death.

Noted: Regulator replacing only can be handle by a technician

Technician replace regulator please follow as below (TOOLS REQUIRED: Two wrench);

1.Remove regulator

Hold the three channel connector by Wrench A and remove the hose of the regulator with Wrench B.

2.Replace new regulator

Hold the three channel connector by Wrench A and replace new regulator with Wrench B

3.Leak Testing

Soap solution to make sure no gas leakage in every tie-in position.

Note: Wrench A only for holding the three channel, DO NOT circumvolve.

Make sure no gas leakage before use the grill.



GAS CONNECTION

ONLY USE THE REGULATOR AND HOSE ASSEMBLY PROVIDED WITH THIS GRILL. REPLACEMENT PRESSURE REGULATORS AND HOSE ASSEMBLIES MUST BE THOSE SUPPLIED BY THE MANUFACTURER

This is a LP (Liquefied Petroleum Gas) configured grill. Do not attempt to use a natural gas supply unless the grill has been reconfigured for natural gas use.

The installation of this appliance must conform with local codes or, in the absence of local codes, with either the National Fuel Gas Code, ANSI Z223. 1, or CAN/CGA-B149.2 Propane Installation Code.

▪ LP TANK REQUIREMENTS – THE LP TANK USED WITH YOUR GRILL MUST MEET THE FOLLOWING

- 1) Measurement: 12”(30.5cm) (Diameter) X 18” (45.7cm) (Tall) .
- 2) Maximum Capacity: 20lbs(9Kg).
- 3) Constructed and marked in accordance with the specification for LP-gas cylinders of the U.S. Department of Transportation (DOT) or the National Standard of Canada, CAN/CSA-B339, Cylinders, Spheres and Tubes for the Transportation of Dangerous Goods. See LP tank collar for marking.
- 4) Is arranged for vapor withdrawal.
- 5) Includes a collar to protect the tank valve.
- 6) Has no dents or rust. A dented or rusty L.P. tank may be hazardous, and should be checked by your supplier.
- 7) Provides a shut-off valve terminating in an LP gas tank valve outlet specified, as applicable for connection type QCC1 in the standard for compressed gas tank valve outlet and inlet connection ANSI/CGA-V-1.

▪ LP TANK VALVE USED MUST MEET THE FOLLOWING

- 1) Have type I outlet compatible with regulator provided.
- 2) Have safety relief valve.
- 3) UL listed Overfill Protection Device (OPD), This OPD safety feature is identified by a unique triangular hand wheel. Only use tanks equipped with this type of valve. (As the figure shown on the next page)

▪ FOR YOUR SAFETY

Ensure that the black plastic grommets of the regulator provided are in place and that the hose does not come into contact with the heat shield or the grill head.

GAS CONNECTION

▪ CONNECT THE REGULATOR TO THE LP TANK

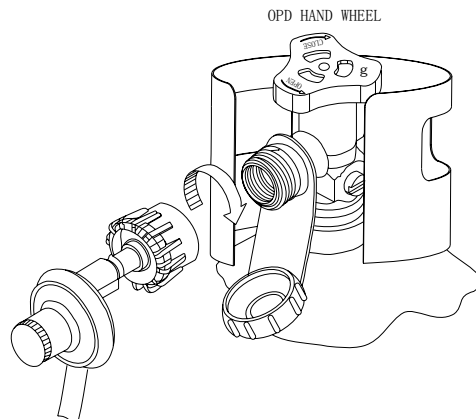
VERY IMPORTANT:

- THE REGULATOR SHALL NOT BE IN A LOCATION THAT WILL ATTAIN A TEMPERATURE ABOVE 140°F (60°C) .

- THE REGULATOR SHALL INCORPORATE A PRESSURE RELIEF VALVE OR OVERPRESSURE DEVICE.

- THE INLET OF THE PRESSURE REGULATOR SHALL BE FITTED TO CONNECT THE TYPE I CONNECTION OF THE TANK VALVE PER ANSIZ21.81.

- 1) Make sure tank valve is in its full off position (turn clockwise to stop).
- 2) Check tank valve to assure it has proper external male threads (type I connection per ANSIZ21.81).
- 3) Make sure all burner knobs are in their off position.
- 4) Remove the protective cap from LP tank valve. Always use cap and strap supplied with valve.
- 5) Inspect valve connection port and regulator assembly. Look for any damage or debris. Remove any debris. Inspect hose for damage. Never attempt to use damaged or plugged equipment. Contact your local LP gas dealer for repair.
- 6) When connecting regulator assembly to the valve, hand tighten nut clockwise to a positive stop. Do not use a wrench to tighten. Use of a wrench may damage quick coupling nut and result in a hazardous condition. (As figure shown below)



- 7) Open tank valve fully (counterclockwise). Use a soapy water solution to check all connections for leaks before attempting to light grill. If a leak is found, turn tank valve off and do not use grill until a local L.P gas dealer can make repairs.

GAS CONNECTION

ONLY USE THE REGULATOR AND HOSE ASSEMBLY PROVIDED WITH THIS GRILL. REPLACEMENT PRESSURE REGULATORS AND HOSE ASSEMBLIES MUST BE THOSE SUPPLIED BY THE MANUFACTURER

This is a LP (Liquefied Petroleum Gas) configured grill. Do not attempt to use a natural gas supply unless the grill has been reconfigured for natural gas use.

The installation of this appliance must conform with local codes or, in the absence of local codes, with either the National Fuel Gas Code, ANSI Z223. 1, or CAN/CGA-B149.2 Propane Installation Code.

▪ LP TANK REQUIREMENTS – THE LP TANK USED WITH YOUR GRILL MUST MEET THE FOLLOWING

- 1) Measurement: 12”(30.5cm) (Diameter) X 18” (45.7cm) (Tall) .
- 2) Maximum Capacity: 20lbs(9Kg).
- 3) Constructed and marked in accordance with the specification for LP-gas cylinders of the U.S. Department of Transportation (DOT) or the National Standard of Canada, CAN/CSA-B339, Cylinders, Spheres and Tubes for the Transportation of Dangerous Goods. See LP tank collar for marking.
- 4) Is arranged for vapor withdrawal.
- 5) Includes a collar to protect the tank valve.
- 6) Has no dents or rust. A dented or rusty L.P. tank may be hazardous, and should be checked by your supplier.
- 7) Provides a shut-off valve terminating in an LP gas tank valve outlet specified, as applicable for connection type QCC1 in the standard for compressed gas tank valve outlet and inlet connection ANSI/CGA-V-1.

▪ LP TANK VALVE USED MUST MEET THE FOLLOWING

- 1) Have type I outlet compatible with regulator provided.
- 2) Have safety relief valve.
- 3) UL listed Overfill Protection Device (OPD), This OPD safety feature is identified by a unique triangular hand wheel. Only use tanks equipped with this type of valve. (As the figure shown on the next page)

▪ FOR YOUR SAFETY

Ensure that the black plastic grommets of the regulator provided are in place and that the hose does not come into contact with the heat shield or the grill head.

GAS CONNECTION

WARNING

- Never insert any foreign objects into the valve outlet. It may damage the valve and cause leak, leaking gas may result in fire, explosion, heavy body injury, or even death.
- Do not connect this grill to the self-contained LP gas system of a motor home or camper trailer.
- Do not use this grill until leak tested.
- STOP and call the fire department if any leaks are detected.
- If you cannot stop a gas leak, close the LP tank valve IMMEDIATELY, call LP gas supplier or the fire department.

DANGER

- NEVER store a spare LP tank under or near grill or in an enclosed area.
- NEVER fill the tank beyond 80% full. An overfilled spare LP tank is dangerous because surplus gas may leak from safety relief valve. The safety relief valve on a LP tank could activate to release gas and cause a fire.
- The spare LP tank must have safety caps installed on the LP tank outlet.
- If any gas leaks are found on the spare LP tank, immediately step away from the grill, and call the fire department.

VERY IMPORTANT:

DISCONNECT THE TANK WHEN THIS GRILL IS NOT IN USE.

- **To disconnect LP gas tank:**
 - 1) Turn all the knobs off.
 - 2) Turn the tank valve off fully (turn clockwise to stop).
 - 3) Detach the regulator assembly from tank valve by turning the quick coupling nut counterclockwise.
 - 4) Install the protective cap back onto the LP tank valve.

LEAK TESTING

▪ **GENERAL**

Although all gas connections on the grill are leak tested at the factory prior to shipment, a complete gas tightness check must be performed at the installation site due to possible mishandling in shipment, or excessive pressure unknowingly being applied to the unit. Periodically check the whole system for leaks, or immediately check if the smell of gas is detected.

▪ **BEFORE TESTING**

- 1) Make sure that all packing material is removed from the grill including the burner tie-down straps.
- 2) Do not smoke while leak testing.
- 3) Never leak test with an open flame.
- 4) Make a soap solution with one part liquid detergent and another part water. Prepare a spray bottle, brush, or rag to apply the solution to the connections. For the initial leak test, make sure the LP cylinder is full.
- 5) Grill must be leak tested outdoors in a well-ventilated area, away from ignition sources such as gas fired or electrical appliances, and flammable materials.
- 6) Keep grill away from open flames and/or sparks while testing.

▪ **TO TEST**

- 1) Make sure all control knobs are in the "OFF" position.
- 2) Make sure the regulator is connected to the LP tank tightly.
- 3) Completely open LP tank valve by turning counter clockwise. If you hear a "POP" sound, turn gas off IMMEDIATELY, as it indicates a heavy leak at the connection. Call your gas dealer or fire department.
- 4) Check every connection from the LP tank up to and including the connection to the manifold pipe assembly (the pipe that goes to the burner) by brushing or spraying the soapy solution on the connections.
- 5) If soap bubbles appear, there is a leak. Turn off LP tank valve IMMEDIATELY and retighten connections, Open LP tank valve again, and recheck.
- 6) If leaks cannot be stopped, DO NOT ATTEMPT TO REPAIR. Call our service center at (888)-287-0735 for help.
- 7) Always close the LP tank valve after leak testing by turning clockwise.
Only those parts recommended by the manufacturer should be used on the grill. Substitution will void the warranty. Do not use the grill until all connections have been checked and do not leak.

LEAK TESTING

▪ SAFETY TIPS:

- 1) ALWAYS CHECK FOR LEAKS AFTER EVERY LP TANK CHANGE.
- 2) ALWAYS CHECK FOR LEAKS BEFORE EACH USE.
- 3) USE LONG BBQ TOOL TO AVOID BURNS.
- 4) CHECK ALL GAS SUPPLY FITTINGS FOR LEAKS BEFORE EACH USE. IT IS HANDY TO KEEP A SPRAY BOTTLE OF SOAPY WATER NEAR THE SHUT-OFF VALVE OF THE GAS SUPPLY LINE. SPRAY ALL THE FITTINGS. BUBBLES INDICATE LEAKS.
- 5) DISCONNECTED L.P. CYLINDERS MUST HAVE THREADED VALVE PLUGS TIGHTLY INSTALLED, AND MUST NOT BE STORED IN A BUILDING, GARAGE, OR ANY OTHER ENCLOSED AREAS.
- 6) TURN OFF ALL CONTROL KNOBS AND LP TANK VALVE WHEN THE GRILL IS NOT IN USE.
- 7) IF THE APPLIANCE IS STORED INDOORS, THE LP TANK MUST BE DISCONNECTED AND REMOVED FROM THE GRILL.
- 8) LP TANKS MUST BE STORED OUTDOORS IN A WELL-VENTILATED AREA. DISCONNECTED LP TANKS IN STORAGE OR BEING TRANSPORTED MUST HAVE A SAFETY CAP.
- 9) NEVER LEAVE A LP TANK IN A RECREATIONAL VEHICLE OR BOAT WHICH MAY BECOME OVERHEATED BY THE SUN.
- 10) DO NOT STORE LP TANK IN OR NEAR AN AREA WHERE CHILDREN PLAY.
- 11) FOR ANY OTHER PROBLEMS, SEE "TROUBLESHOOTING" OR CONTACT OUR SERVICE CENTER AT (888)-287-0735.

FINAL INSTALLATION CHECKLIST

- At least 36" clearance maintained from combustible constructions to the sides and back of this grill.
- There is no combustible construction material over the grill.
- All internal packaging removed.
- Burners are sitting properly on orifices.
- Knobs turn freely.
- The regulator & hose connected to grill are provided by the manufacturer. (Pre-set for 11.0" water column).
- Unit tested and free of leaks.
- User informed of gas supply shut off valve location.

GRILL LIGHTING INSTRUCTION

VERY IMPORTANT: ALWAYS INSPECT THE HOSE PRIOR TO EACH USE.

▪ **BEFORE LIGHTING:**

Inspect the gas supply hose before turning the gas "ON". If there is evidence of cuts, wear, or abrasion, it must be replaced before use. The replacement hose assembly must be that specified by the manufacturer.

▪ **VERY IMPORTANT: TO LIGHT MAIN AND SIDE BURNERS OF THE GRILL:**

- 1) Read instructions before lighting.
- 2) Turn all knobs to "OFF" then open the LP tank valve. Always keep your face and body as far from the grill as possible when lighting.
- 3) Open lid during lighting.
- 4) Push and hold electronic ignition button
- 5) If ignition does not occur in 5 seconds, turn the burner controls "OFF", wait 5 minutes, and repeat the lighting procedure.
- 6) To ignite any other Main Burner turn knob to "HI"
- 7) To Ignite the side burner, follow steps 4-6 using the Side Burner knob.

▪ **TO LIGHT THE MAIN AND SIDE BURNERS BY MATCH: (AS THE FOLLOWING FIGURE SHOWS)**

If the burner will not light after several attempts then the burner can be match lit.

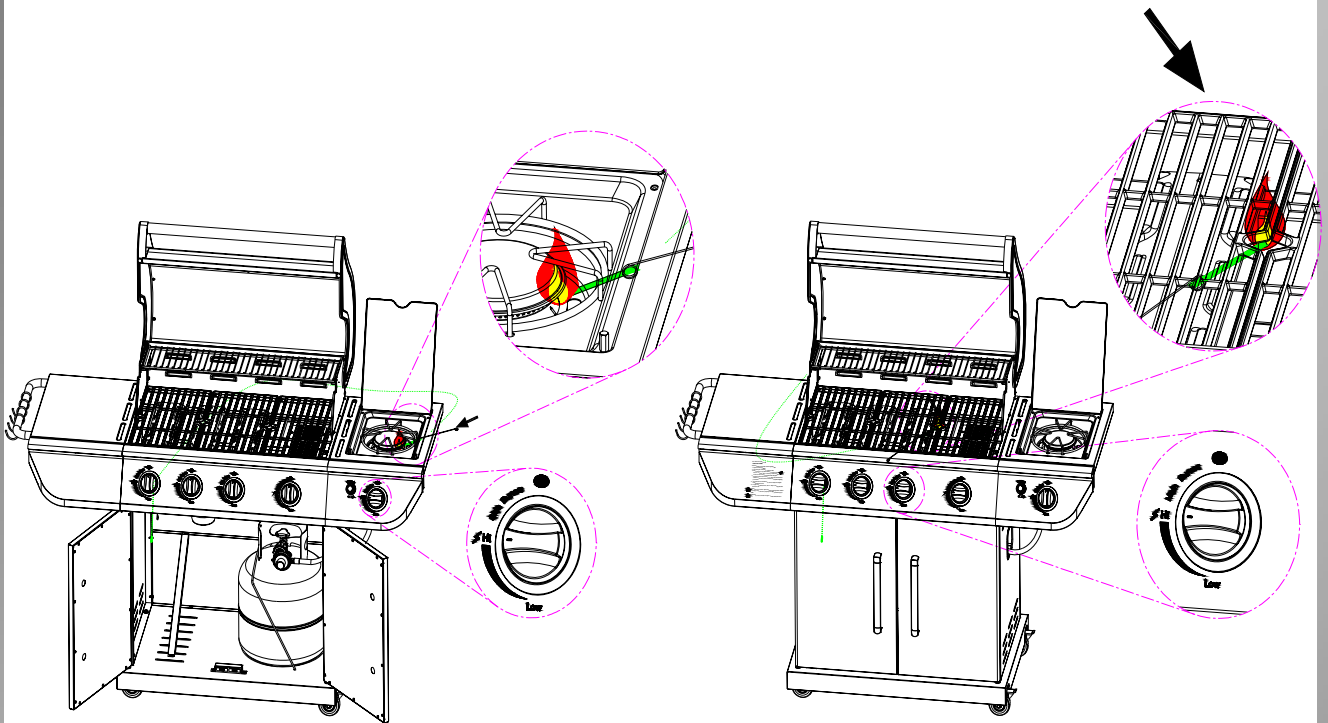
Tools: Lighting rod (hanging behind the right door)

Usage:

- 1) Read instructions before lighting.
- 2) Open the lid during lighting.
- 3) Simply place a lighted match between the coils on the end of the lighting rod and hold next to the burner to ignite.
- 4) Push and turn the knob to "HI" position, make sure the burner lights and stays lighted.
- 5) Repeat 3.4 to light other burners.
- 6) Keep a spray bottle of soapy water near the gas supply valve and check the connections before each use. Do not light the grill if odor of gas is present, call out service center at (888)-287-0735.

Keep a spray bottle of soapy water near the gas supply valve and check the connections before each use. Do not light the grill if odor of gas is present, call our service center.

GRILL LIGHTING INSTRUCTION



- 1) Read instructions before lighting.
- 2) Turn all knobs to "OFF" then open the LP tank valve. Always keep your face and body as far from the grill as possible when lighting.
- 3) Open lid during lighting.
- 4) Push down the safety valve switch button and hold on with right hand, allowing the gas to reach the burner.
- 5) Push and turn rear burner knob slowly to "HI" position with left hand 2 seconds later than push down the button. The built-in igniter will click and spark simultaneously to light the burner once burner lights. Keep pressing safety valve button for 15 seconds to allow the safety valve to open. Turn the control knob to "OFF" and release the button IMMEDIATELY if the burner does not light within 5 seconds. Wait 5 minutes for gas to dispel, then repeat the lighting procedure.
- 6) Follow match lighting instruction if burner can't be lit after repeating 3-4 times.

OPERATING INSTRUCTION



CAUTION

- Clean the grill often. A grease fire that may damage the grill may occur if the grill has not been cleaned frequently.
- NEVER leave the grill unattended while using.
- Do not use water to extinguish the grease fire, it may cause body injury. Turn knobs off and LP tank off in case grease fire occurs.
- Grease fire can't be put out by closing the lid. Turn off knobs and LP tank IMMEDIATELY if any grease fire occurs.



WARNING

For your safety:

- Keep grill area clear and free from any flammable material.
- NEVER let children operate the grill or play near the grill.
- This grill is for outdoor use ONLY. NEVER use in an enclosed area such as a carport, porch, covered patio, garage, or under a surface that can catch fire.
- Do not block the ventilation holes in the four sides of the grill cart, it may affect the combustion performance of the burner due to insufficient air.
- Use the grill at least 36" away from any wall or surface. 120" away from objects that may spark and ignite gas i.e. live electrical appliances, pilot lights of water heaters.
- Do not use this grill on or under wood balconies.
- This grill is designed to use only LP gas, DO NOT use lava rock, briquets, charcoal on it.
- NEVER light the burner with the lid closed. Non-ignited gas accumulated inside a closed grill may cause explosions.
- Check the burner flames periodically.
- Turn off the gas supply when the grill is not in use.
- Always turn off the LP tank completely and detach from the grill before moving.

OPERATING INSTRUCTION

▪ **TOTAL GAS CONSUMPTION:**

Total gas consumption (per hour) of PG-40402S0L grill with all burners on "HI":	
Main burners	30,000 Btu/hr
Searing burner	12,000 Btu/hr
<u>Side burner</u>	<u>13,000 Btu/hr</u>
Total	55,000 Btu/hr

▪ **GENERAL USE OF THE GRILL:**

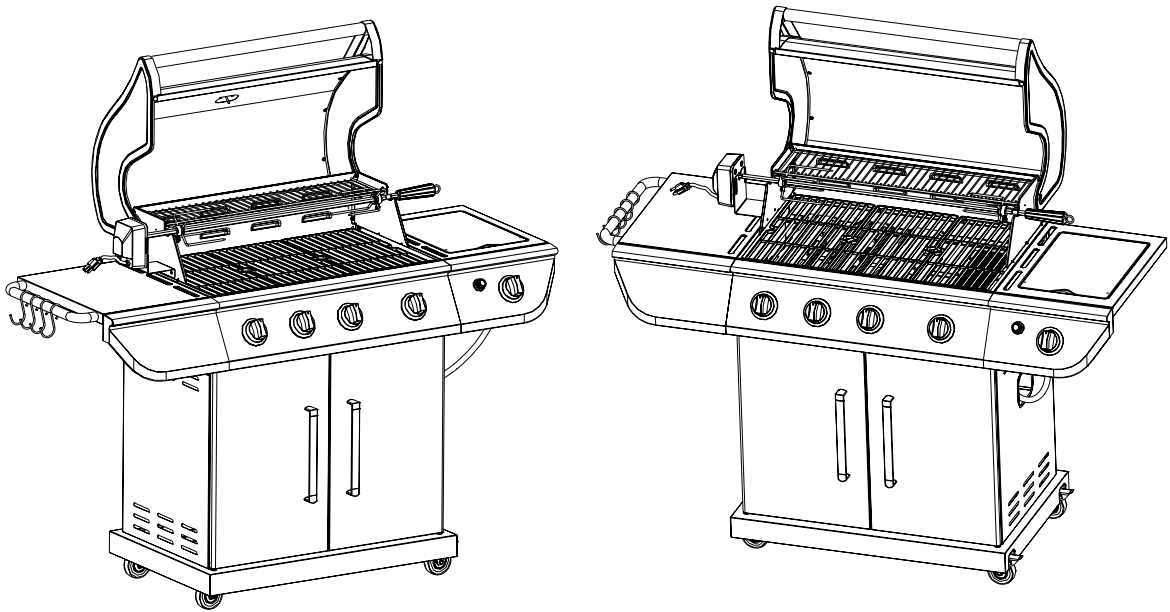
The grill burners encompass the entire cooking area and are side ported to minimize blockage from falling grease and debris. Above the burners are stainless steel radiated. The igniter knobs are located on the valve panel. Follow the lighting instructions printed on the control panel.

▪ **USING THE GRILL:**

Grilling requires high heat for searing and proper browning. Most foods are cooked at the "HI" heat setting for the entire cooking time. However, when grilling large pieces of meat or poultry, it may be necessary to turn the heat to a lower setting after the initial browning. This cooks the food through without burning the outside. Foods cooked for a long time or basted with a sugary marinade may need a lower heat setting near the end of the cooking time.

- 1) Make sure the grill has been leak tested and is properly located.
- 2) Remove any packing material.
- 3) Light the grill burners using the instructions in this manual.
- 4) Turn the control knob to "HI" and preheat the grill for 15 minutes.
- 5) The grill lid is to be closed during the appliance preheat period.
- 6) Place the food on the grill and cook to the desired doneness. Adjust heat setting, if necessary. The control knob may be set to any position between "HI" and "LO".
- 7) The grill is designed to grill efficiently without the use of lava rocks or briquettes of any kind. Heat is radiated by the stainless steel flame tamers under the stainless steel cooking grids.
- 8) The hot grill sears the food, sealing in the juices. The longer the preheat, the faster the meat browns.

OPERATING INSTRUCTION



WARNING

ELECTRICAL GROUNDING INSTRUCTIONS

This grill is equipped with a three-prong (grounding) plug on rotisserie motor, for your protection against shock, it should be plugged directly into a properly grounded three-prong receptacle. Do not cut or remove the grounding prong. Keep any electrical supply cords and the fuel supply hose away from any heated surfaces. Remove and store the motor in a dry place when not use.

- **USING OPTIONAL ROTISSERIE KIT:**
 - 1) Take off the rotisserie kit from the grill.
 - 2) Slide off the left fork, and load the meat or poultry onto the rod.
 - 3) Restore the left fork, put two forks into the meat or poultry as far as possible. Make sure the meat or poultry is located in the middle of the rod. Screw the wing nuts of the fork as tight as possible.
 - 4) Wrap the food with butchers string (never use nylon or plastic string) to secure any loose portions, if necessary.
 - 5) Restore the rotisserie kit into the motor.

- **ROTISSERIE TIPS:**
 - 1) If larger cuts of meat are being grilled, the rod may flex. This is normal.
 - 2) Remove the cooking grids for larger cuts of meat, if the meat scrapes on the cooking grids during rotation.

CARE & MAINTENANCE

MAINTENANCE

- 1) Keep the grill area clear and free from combustible materials, gasoline and other flammable vapors and liquids.
- 2) Keep the holes in the three sides of the cart clear and free from debris, thus ensure the flow of combustion and ventilation air is unobstructed.
- 3) Visually check burner flames as following:
 - Remove cooking grids and flame tamers.
 - Light burners.
 - Turn knobs from "HI" to "LO", check the flame status, the flame in "LO" position should be smaller than in "HI" position, as figure shown below.
 - Always check flame before each use, see TROUBLESHOOTING if any abnormal status found.
- 4) Call our after service center at (888)-287-0735 for warranty replacement parts.



CLEANING

1) STAINLESS STEEL CLEANING

The grill is made of stainless steel. There are many different stainless steel cleaners available. Always use the mildest cleaning procedure first, scrubbing in the direction of the grain. To touch up noticeable scratches, sand very lightly with dry 100 grit emery papers in the direction of the grain. Specks of grease can gather on the surfaces of the stainless steel and bake onto the surface and give the appearance of rust. Use an abrasive pad in conjunction with a stainless steel cleaner to remove.

VERY IMPORTANT: DO NOT USE ACID DETERGENT AND/OR ANTIRUST TO CLEAN THE CONTROL PANEL WITH PRINTING. SUCH STRONG CLEANSER MAY CLEAN OFF THE PRINTING.

2) COOKING AREA CLEANING

The easiest way to clean the grill is to clean immediately after turning off the flame when cooking is completed. Wear a barbeque mitt to protect your hand from the heat and steam. Dip a brass bristle barbeque brush in tap water and scrub the hot grill. Dip the brush frequently in the water. Steam, created as water contacts the hot grill, assists the cleaning process by softening any food particles. The food particles will fall and burn. Never immerse a hot part in water.

CARE & MAINTENANCE

3) GRILL BURNER CLEANING

- Be sure the tank valve and the knobs are in the "OFF" position. Make sure the grill is cool.
- Clean the exterior of the burner with a wire brush. Clear stubborn scale with a metal scraper. Clear any clogged ports with a straightened paper clip. Never use a wooden toothpick as it may break off and clog the port.
- Please note that if insects or other obstructions are blocking the flow of gas through the burner, you will need to call our customer service line.

VERY IMPORTANT: The orifice of the valve must be located in the center of the burner section after removal and cleaning. Otherwise, it may cause serious bodily injury and property damage. Swing the burner slightly after replacing to check whether it has been installed properly.

4) GREASE TRAY CLEANING

The grease tray should be emptied and wiped down periodically and washed in a mild detergent and warm water solution. A small amount of sand may be placed in bottom of the grease tray to absorb the grease.

▪ SPIDER AND INSECT WARNING

Spiders and insects can nest in the burners after storing. These nests can cause fires inside the tube or beneath the grill. This is a very dangerous condition. So always clean the burners before use.

▪ WHEN TO LOOK FOR SPIDERS

Inspect the burners at least once a year or immediately if any of the following conditions occur:

- 1) Yellow flame with burning smell.
- 2) Temperature wont rise.
- 3) Heats unevenly.
- 4) Burners make popping noises.

TROUBLE SHOOTING

BEFORE CALLING FOR SERVICE

Please check the following problems/solutions before contact our service center.

PROBLEMS	POSSIBLE CAUSE	SOLUTIONS
Burner won't light after turning and pushing the knobs	Electrode deposited with cooking residues	Use clean swab and alcohol to clean.
	Electrode damaged	Replace.
	Electrode wires are loose or fall off	Reconnect or replace with new electrode assembly with wires.
	Orifice blocked	Check the orifice for blockage.
	Wire is shorting	Replace with new electrode assembly with wires.
Burner can't light by match	No gas	Open the LP tank valve / Replace LP tank valve
	Gas flow is not smooth	Clear burner tubes
	Incorrect assembly between burner and valve	Re-assemble
Yellow or orange flame with gas odor	Incomplete combustion	Call our customer service center at (888)-287-0735
Low heat with knob in "HI" position.	Gas hose bent or kinked	Smooth out the hose.
	Burner or orifice blocked.	Clear blockage.
	Low gas pressure	Call the gas dealer.
	Grill not preheated	Preheat the grill for 15 minutes.
Flare-up	Excessive meat fat	Cut off fat before grilling.
	Temp. too high	Adjust
	Grease deposit	Clean
Flame out	High winds	Find a less windy place.
Flame lifting	Too high of a gas pressure	Call the gas dealer.
Flashback	Burner port blocked	Clean burner port.
Grease fire	Grease accumulated in food	Turn off knobs and LP tank valve. Leave lid open and let fire burn out. Clean the grill after cooling.

FOOD SAFETY

- **FOOD SAFETY:**

- 1) Always follow the following tips to enjoy safe and healthy outdoor grilling.
- 2) Always use hot soapy water to wash hands, surfaces & utensils after processing raw meat.
- 3) Always separate raw meat from cooked foods to avoid cross-contamination.
- 4) Always use clean utensils to handle the food.
- 5) Always cook the meat thoroughly to kill germs. Use a thermometer to inspect the inner temp. of the meat, if necessary.
- 6) Place the cooked foods and leftovers promptly into the refrigerator when done eating.

VERY IMPORTANT: DO NOT LEAVE THE GRILL UNATTENDED WHILE COOKING.

GRILL STORAGE

- **GRILL STORAGE:**

- 1) Clean the grill.
- 2) Store the grill in a well-ventilated, dry outdoor area. Keep out of the reach of children when LP tank is connected to the grill.
- 3) Store the grill in dry indoors **ONLY** after the LP tank is turned off and removed. The LP tank must be stored outdoors, out of the reach of children. **NEVER** store the tank in a building, garage or any other enclosed area.

PRODUCT REGISTRATION

Thank you for purchasing this PermaSteel Grill. In order to register your product to receive streamlined customer service, please fill out the following Product Registration form and (1) fax the form and a copy of your receipt to FAX # 909-287-0733, or (2) mail the form and a copy of your receipt to PERMASTEEL INC 14125 FERN AVE. CHINO, CA 91710.

PRODUCT REGISTRATION

First Name: _____ Last Name: _____

Address: _____

City: _____ State: ____ Zip Code: _____

Email Address: _____ Phone: ____ - ____ - _____

Product Model #: _____ Date of Purchase: ____/____/____

Retail Store Location of Purchase: _____

Please rate the importance of each feature (1=least important; 10=most important)

Quality ____ Price ____ Size/Capacity ____ Cooking Area ____ Appearance ____
Other ____

What other brands did you seriously consider before making this purchase?

DCS_ CharBroil_ Brinkman_ Members Mark_ Lynx_ Other_
Did not consider other brands_

How did you hear about our product?

Magazine Ad_ Catalog_ Salesperson_ Word of Mouth_ Internet_
Store Display_ Other_

Marital Status Single_ Married_
Household Income Below \$50,000_ \$50,000-\$150,000_ \$150,000+_
Education High School_ College_ Graduate School_
Primary Residence Own_ Rent_

Comments/Suggestions: _____



PERMASTEEL, INC.
14231 Fern Ave, Building 10
CHINO, CA 91710

TEL: (888)-287-0735
FAX: (909)-287-0733

EMAIL: SERVICE@PERMASTEEL.NET