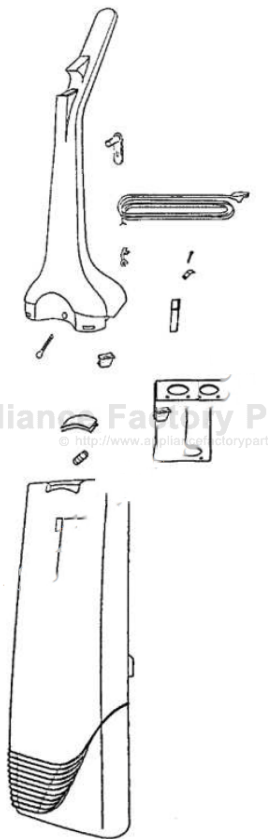


This Owner's Manual is provided and hosted by [Appliance Factory Parts](http://www.ApplianceFactoryParts.com).



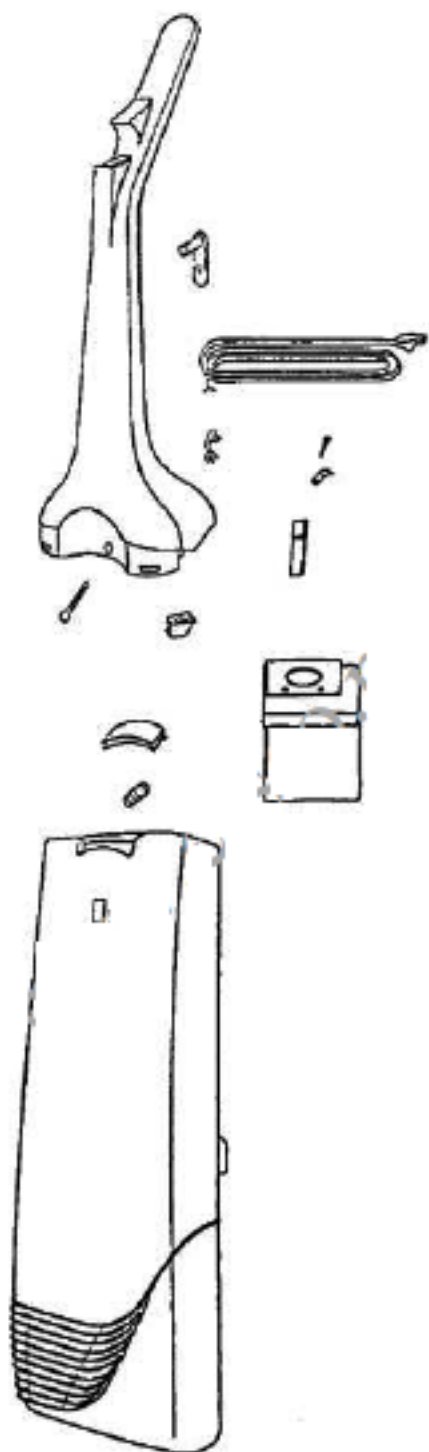
Eureka 6410AT Owner's Manual

[Shop genuine replacement parts for Eureka 6410AT](#)

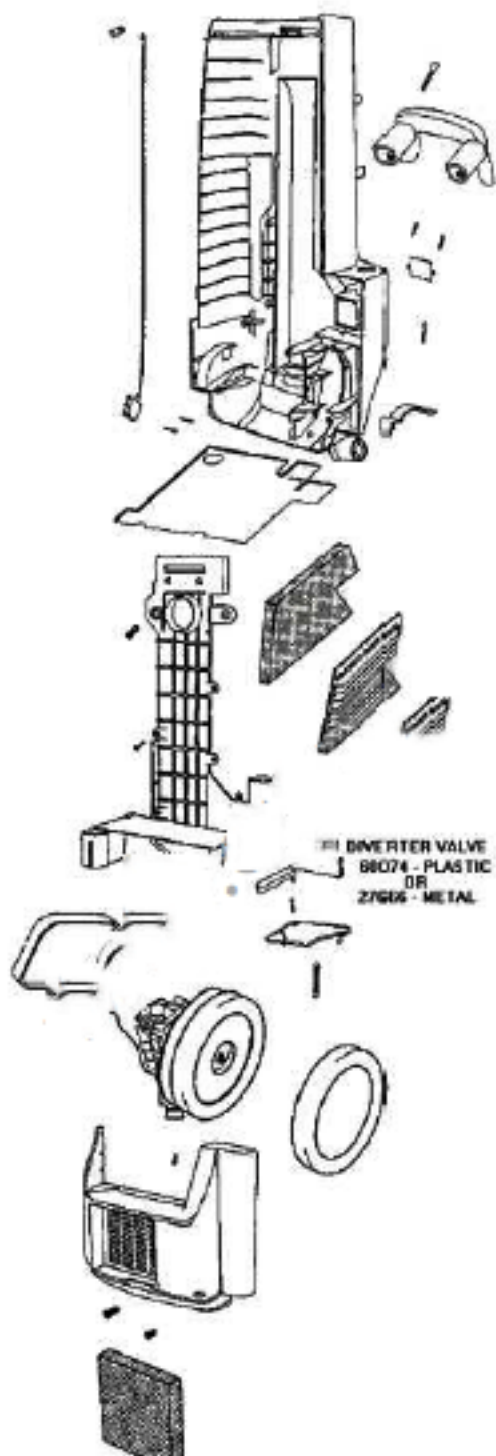


[Find Your Eureka Vacuum Cleaner Parts - Select From 855 Models](#)

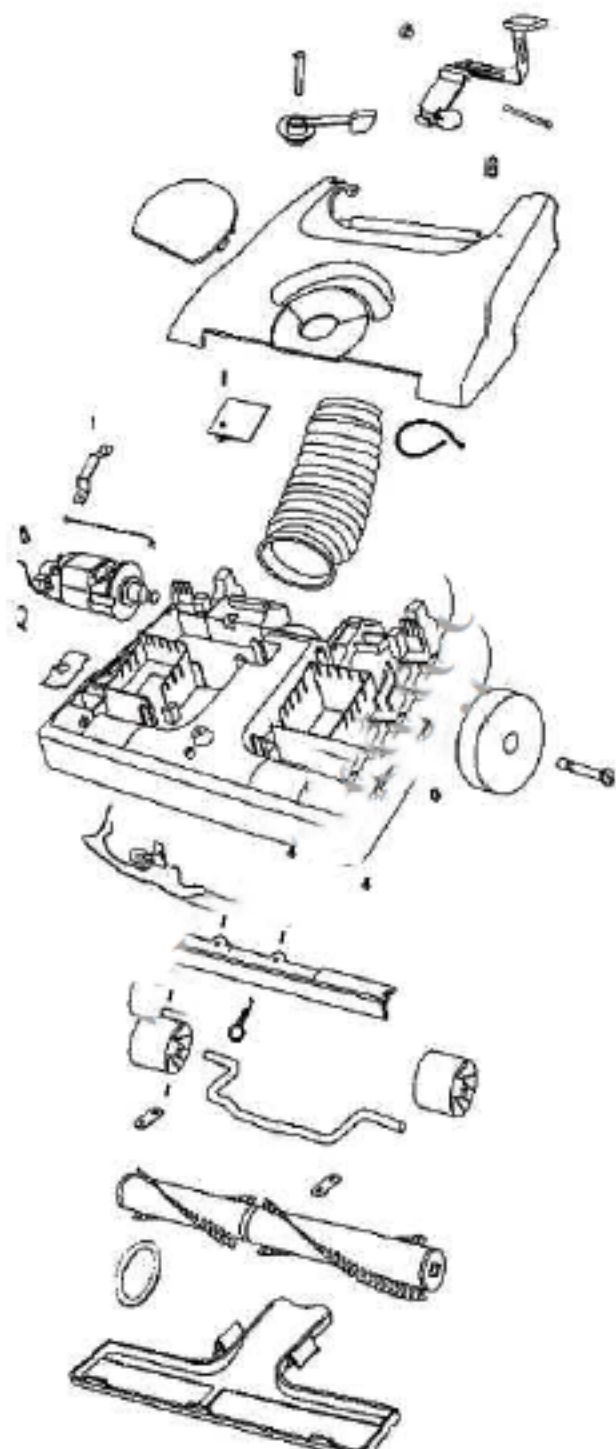
----- Manual continues below -----



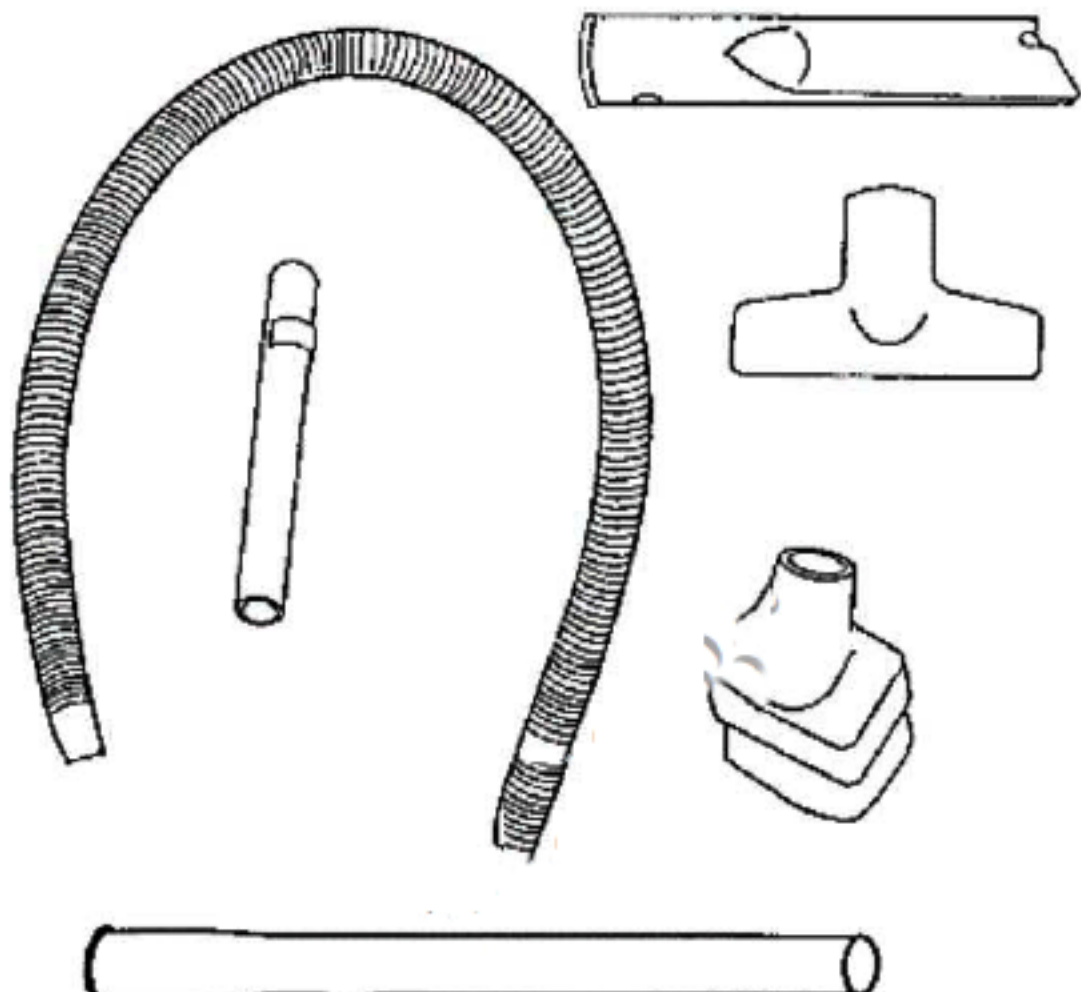
Ref #	Part	Description	Comments	Qty
1	14882-2	BAG COVER ASSY - PACKAGED		
2	26317A-3	RELEASE - CORD		
3	27514	LATCH - BAG COVER		
4	37761-2	BAG INDICATOR ASSEMBLY		
5	38348-2	SWITCH - ROCKER		
6	38394-3	SUPPLY CORD & TERMINAL AS		
7	53238-1	SCREW PACKAGE		
8	53238-37	SCREW PACKAGE		
9	54219-1	BUSHING - STRAIN RELIEF (
10	54711	PACKAGE - SPRING		
11	56750	CLIP - BAG INDICATOR		
12	58400	PAIRED BAG DKS ASSY (BTM)		



Ref #	Part	Description	Comments	Qty
1	02016-1	COVER - DIRT CHUTE		
2	14909-1	HANDLE - CARRYING		
3	14966	GASKET - ACCESS DOOR		
4	14967-1	ACCESS DOOR ASSY		
5	27345	ARM - CONVERTER		
6	27384	FILTER - MOTOR		
7	27385	FRAME - FILTER		
8	27410	SWITCH - MICRO SNAP		
9	27411-1	UPPER CORD ASSEMBLY		
10	27413-1	REAR HOUSING ASSEMBLY		
11	27463	GASKET - MOTOR FAN		
12	27536	FILTER - FINAL		
13	27666	DOOR - CONVERTER VALVE		
14	38243-1	CLAMP - MOTOR		
15	38410	SHIELD - MOTOR		
16	53214-2	WIRE SPLICE 5		
17	53238-28	SCREW PACKAGE		
18	53238-32	SCREW PACKAGE		
19	53238-33	SCREW PACKAGE		
20	53238-34	SCREW PACKAGE		
21	53238-35	SCREW PACKAGE		
22	53238-4	SCREW PACKAGE		
23	54669	SCREW PACKAGE		
24	54694	MOTOR ASSY - CTND		
25	54710	PACKAGE - SPRING		
26	55463	GASKET - MOTOR STACK		
27	55074	REAR HOUSING KIT		



Ref #	Part	Description	Comments	Qty
1	02017-1	PLATE - SOLE		
2	26270-3	WHEEL - REAR		
3	27372-1	LEVER - ADJUSTMENT		
4	27376	LAMP SOCKET & HARNESS ASS		
5	27405	PEDAL - FOOT		
6	27412-1	LOWER CORD ASSEMBLY		
7	27483-2	ADJUSTMENT COVER & GRPHCS		
8	35859A-1	WHEEL - FRONT		
9	38389-1	COVER - PULLEY		
10	38392	AXLE		
11	38407	CAP - FOOT PEDAL		
12	38457	AXLE - FRONT		
13	46713	TIE - CABLE (PURCHASED)		
14	46713-2	TIE - CABLE (PURCHASED)		
15	53076-2	SPRING & AXLE PACKAGE (6)		
16	53201	CLAMPS - PACKAGE 10		
17	53214-2	WIRE SPLICE 5		
18	53238-11	SCREW PACKAGE		
19	53238-4	SCREW PACKAGE		
20	54343-2	MOTOR ASSEMBLY - PACKAGED		
21	54693-1	ROLL ASSEMBLY REPLACEMENT		
22	54705-1	HOOD ASSY - PACKAGE		
23	54706-1	BASE ASSY - PACKAGE		
24	54707	PACKAGE - PUSH ON NUT		
25	54708	PACKAGE - SPRING		
26	54709	PACKAGE - PRONG LOCK RETA		
27	57940	LAMP - HEADLIGHT		
28	58244	SCREW - HEIGHT ADJUSTMENT		
29	58295	CLAMP CABLE		
30	58298	PIN - FOOT PEDAL		
31	58421	SHIELD - WIRE		



Ref #	Part	Description	Comments	Qty
1	14070-3	WAND - STRAIGHT		
2	14990-1	WAND ASSEMBLY		
3	54355-3	TOOL - CREVICE		
4	54505-1	DUSTING BRUSH - PACKAGED		
5	54506-1	UPHOLSTERY NOZZLE ASSEMBL		
6	54691-1	HOSE ASSY - CRTND		
7	54692-1	HOSE ASSY - CRTND		
A	FRNCR	PACKAGE - HARDWARE		