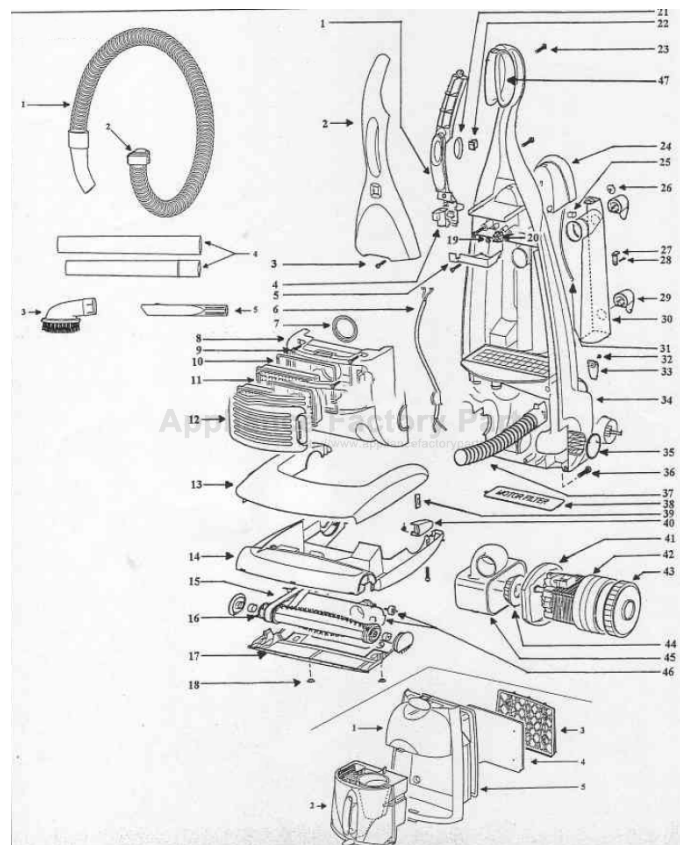


This Owner's Manual is provided and hosted by Appliance Factory Parts.



Eureka 6140AT Owner's Manual

[Shop genuine replacement parts for Eureka 6140AT](#)



[Find Your Eureka Vacuum Cleaner Parts - Select From 855 Models](#)

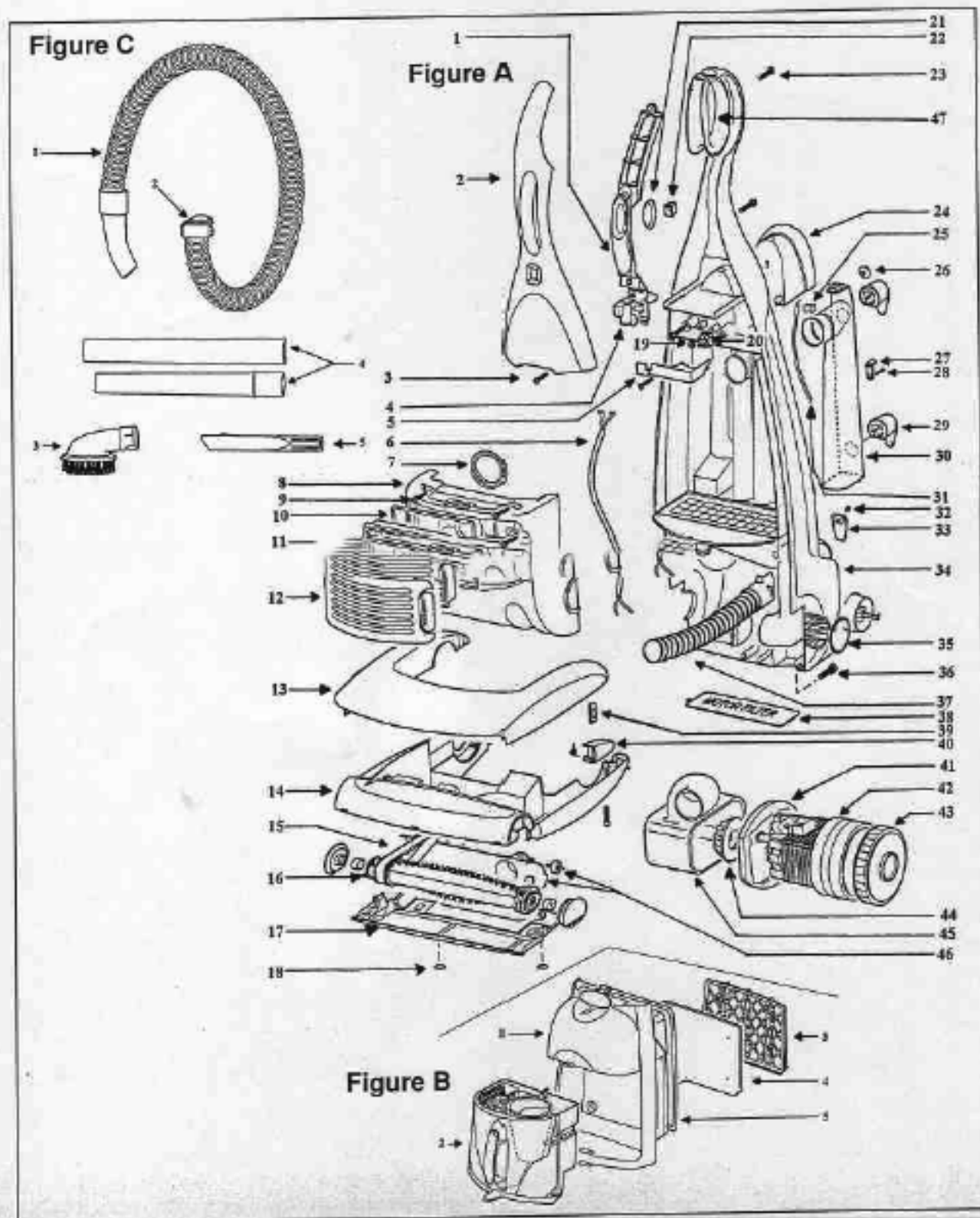
----- Manual continues below part list -----

Available Replacement Parts for Eureka 6140AT

[E-60286](#)

FILTER, HEPA, 1PK

Original & Replacement **EUREKA** WHIRLWIND UPRIGHT Model 6140AT Shown



EUREKA Original & Replacement

WHIRLWIND UPRIGHT Model 6140AT Shown

Figure A

Key	Part No.	Description
1	E-65060	Trim with On/Off Graphics
2	E-60558	Handle Front
3	E-60603	Screw
4	E-60559	Blank Plug
5	E-60563	Wiring Cover
6	E-60592	Lower Cord
7	E-60579	Exhaust Chamber Seal
8	E-60577	Motor Cover Ass'y
9	E-60603	Screw
10	E-60578	Motor Cover Seal Gasket
11	E-60286	HEPA Filter
12	E-60580	Exhaust Grille
13	E-60574	Hood
14	E-60575	Lower Base Ass'y
15	E-60440	Belt 2 Pk
16	E-60468	Brushroll Ass'y
17	E-60589	Nozzle with Fastener
18	E-60598	1/4 Turn Fastener
19	E-60597	Push On Nut
20	E-60567	2 Way Terminal Block
21	E-60561	Switch Button
22	E-60562	Rocker Switch
23	E-60603	Screw
24	E-60564	Carrying Handle
25	E-60594	Card Holders
26	E-60598	1/4 Turn Fastener
27	E-60570	Tool Clip
28	E-60599	Screw
29		Cord Hook Sold Only with Airtube Ass'y
30	E-60568	Air Tube Ass'y
31	E-60566	Supply Cord
32	E-60600	Plastic Rivet
33	E-60573	Hose Retainer
34	E-60590	Body Ass'y
35	E-60601	Thrust Bearing
36	E-60603	Screw
37	E-60587	Coupling Ass'y with Hose
38	E-60428	Filter Pkg. (2 Mtr Filtr & 2 Cassette Filtr)
39	E-60576	Pedal Retainer
40		Body Release Pedal & Spring with Lower Base Only
41	E-60584	Foam Gasket
42	E-60602	Motor Ass'y
43	E-60586	Suspension Ring
44	E-60583	Suspension Block
45	E-60582	Exhaust Chamber (without Hole)
46	E-60588	Funnel Ass'y with Front Wheel & Axle
47	E-60591	Hand Grip

Figure B

KEY	PART NO.	DESCRIPTION
1	E-60554	Cassette Body
2	E-60553	Cassette Dust Container
3	E-60555	Exhaust Grille
4	E-60428	Filter Pkg. (2 Mtr Filtr & 2 Cassette Filtr)
5	E-60556	Cassette Foal Seal

Figure C

KEY	PART NO.	DESCRIPTION
1	E-60470-1	Hose Ass'y
2	E-60557	Hose Seal Gasket
3	E-60471	Dusting Brush
4	E-60595	Nesting Wands
5	E-60469	Crevice Tool