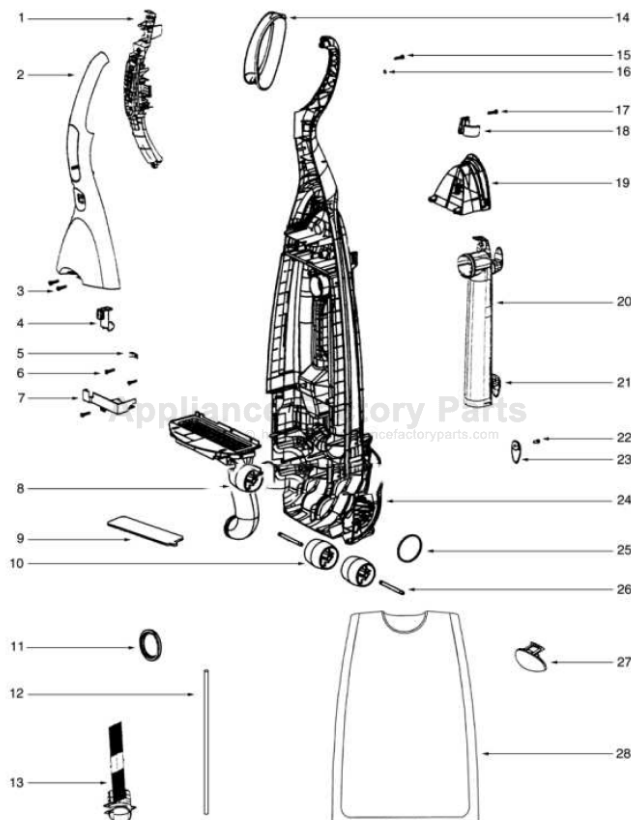


This Owner's Manual is provided and hosted by Appliance Factory Parts.



Eureka 6235AT Owner's Manual

[Shop genuine replacement parts for Eureka 6235AT](#)



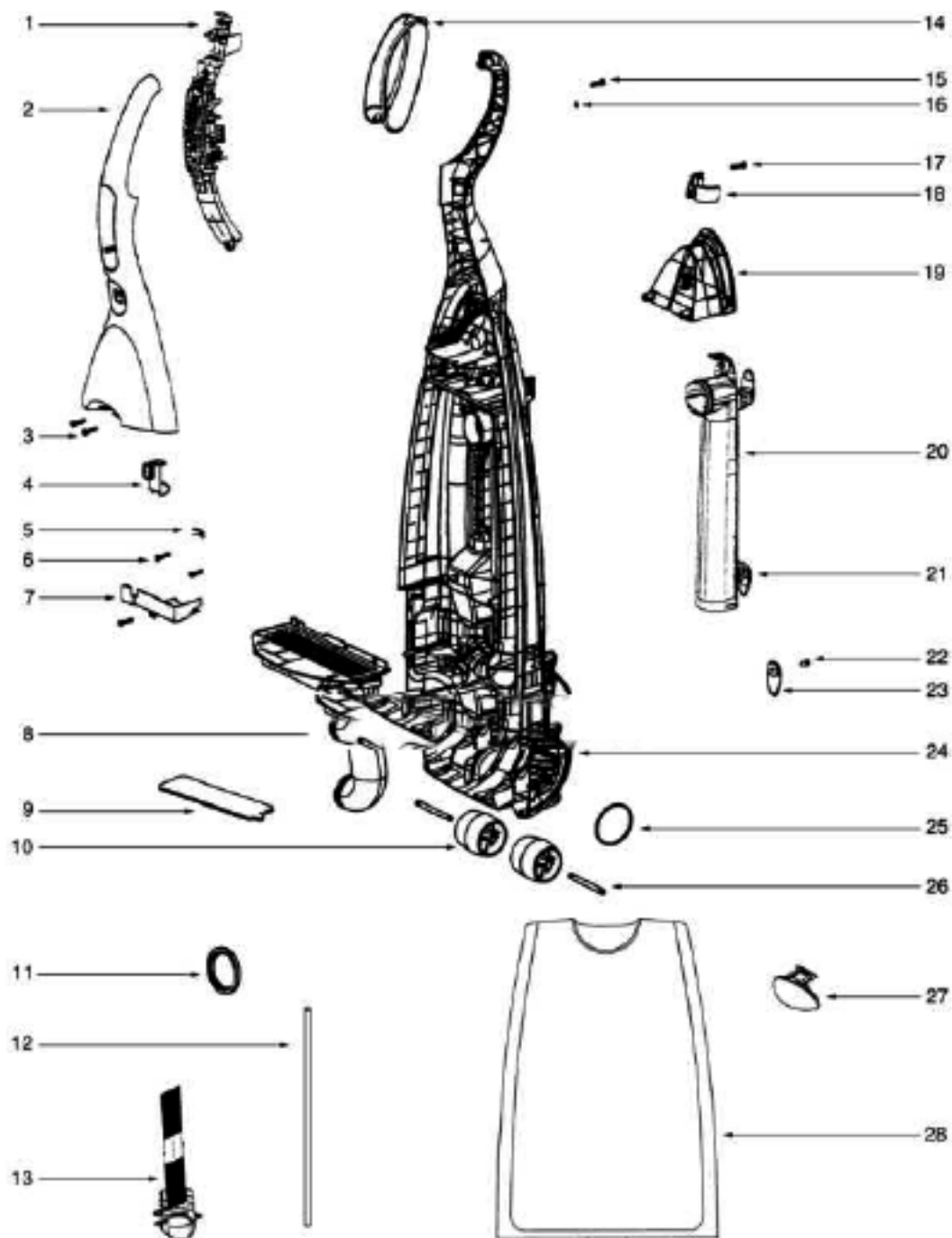
[Find Your Eureka Vacuum Cleaner Parts - Select From 855 Models](#)

----- Manual continues below part list -----

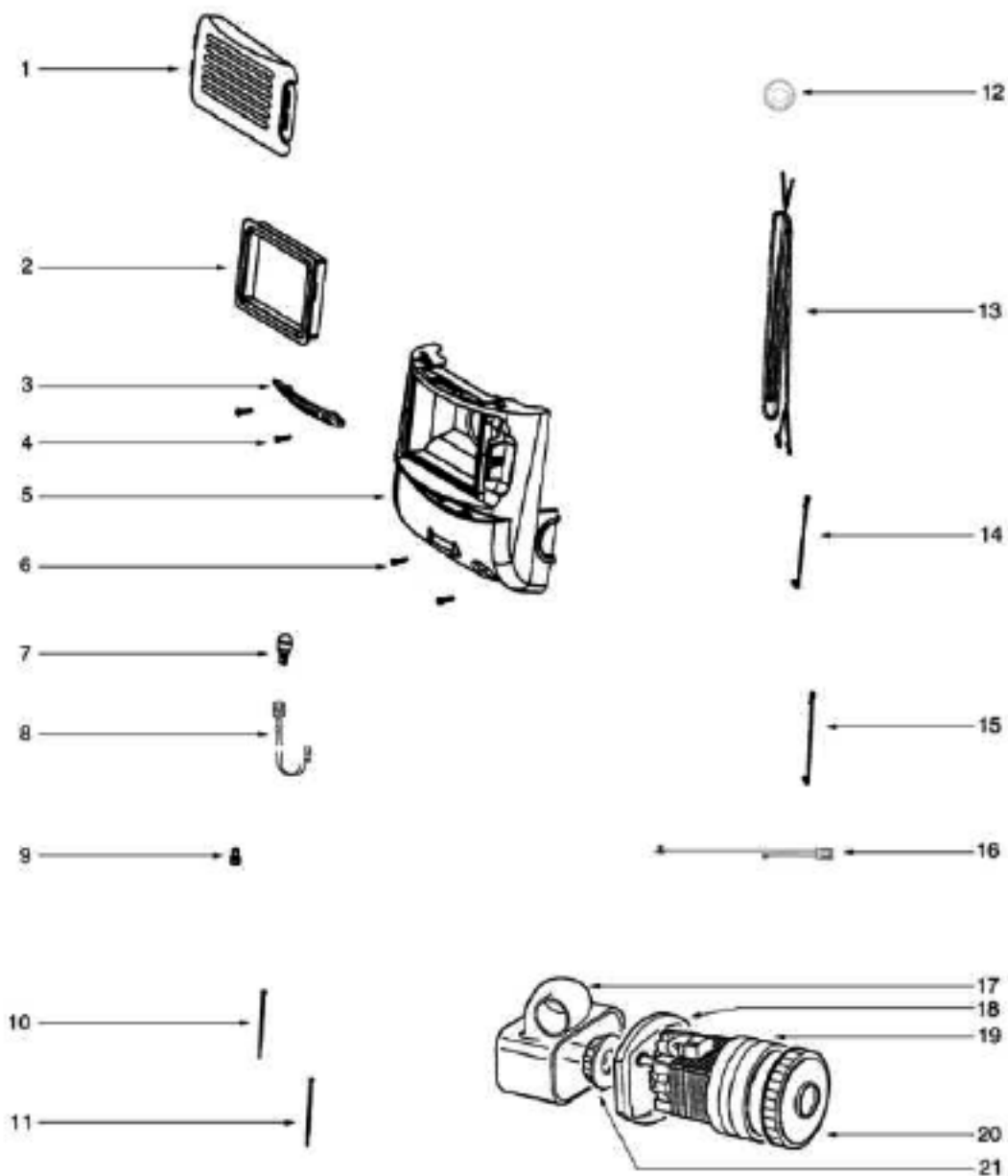
Available Replacement Parts for Eureka 6235AT

[e-60990-2](#)

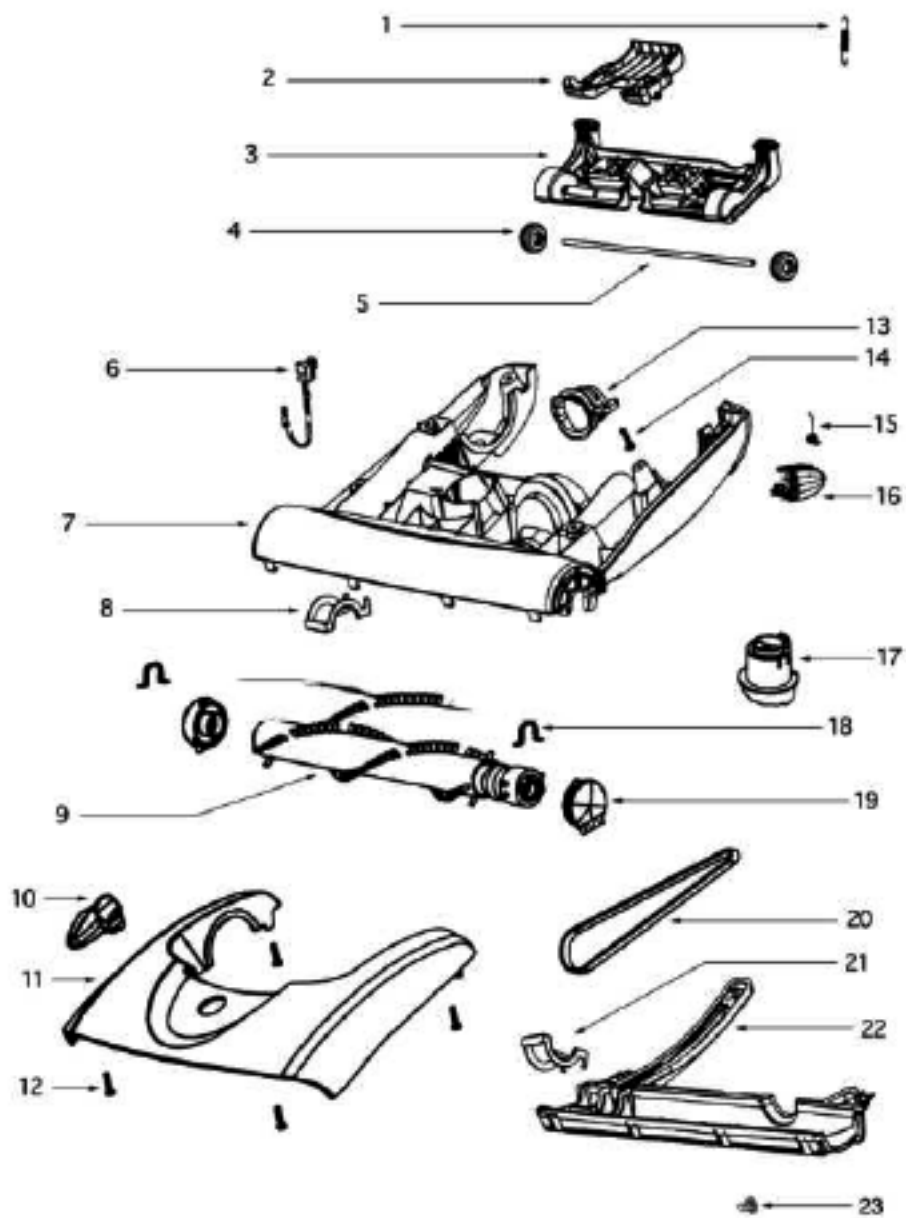
BRUSH



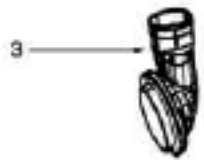
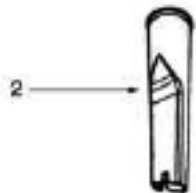
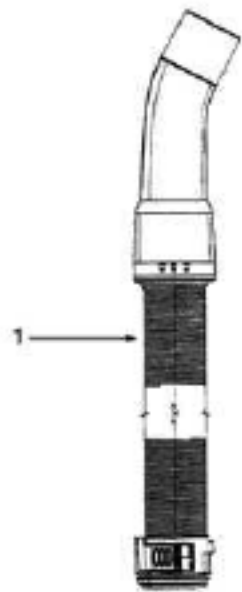
Ref #	Part	Description	Comments	Qty
1	61038-1	SWITCH/ELECTRONIC ASSY -		
2	15551-355N	HANDLE - FRONT		
3	60856	SCREW PACKAGE		
4	39216-335N	PLUG - BLANKING		
5	39214	CABLE CLAMP		
6	39179-119N	HOLDER - SWITCH		
7	28197-1	BULKHEAD ASSEMBLY		
8	39180	COMPOSITE DISASTER FILTER		
9	39165-119N	WHEEL - REAR		
10	39171	SEAL - EXHAUST CHAMBER		
11	59669-3	HOSE		
12	39187	BENT END CUP ASSEMBLY		
13	39170-335N	GRIP - HAND		
14	61025	WASHER - PACKAGED		
15	53238-40	SCREW PACKAGE		
16	39189-333N	CLIP - TOOL		
17	39162-3	CARRY HANDLE ASSEMBLY		
18	28212A-1	AIR TUBE ASSEMBLY		
19	59675-119N	HOOK - CORD		
20	59680	RIVET - PACKAGED		
21	39196-119N	RETAINER - HOSE		
22	02436-335N	BODY		
23	59830-316N	RING - JOURNAL		
24	59657	AXLE - REAR WHEEL		
25	39331A-1	CATCH (AS MACHINED)		
26	60808-9	FRONT COVER W/SEAL - PKGD		
27	59667-5	POTENTIOMETER SLIDER PRIN		
28	39179A-119N	HOLDER - SWITCH		
29	39178	ROCKER SWITCH		
30	59668-2	LAMP - NEON		
31	39327A	SPEED CONTROL MODULE		
32	59654	SEAL - BULKHEAD		
33	28415	CHAMBER - INLET (MACHINED)		
34	60603	SCREW - PKG		
35	28196-333N	CARRY HANDLE ASSEMBLY		
36	59673	SEAL - UPPER AIR TUBE		
37	60598-1	1/4 TURN FASTENER - PKG		
38	60810	WASHER PKG		



Ref #	Part	Description	Comments	Qty
1	15546-8	EXHAUST GRILL PRINTED		
2	60286A	HEPA FILTER - STYLE HF1		
3	28293-313N	LENS - HEADLIGHT		
4	54659-2	SCREW PACKAGE		
5	60987-3	MOTOR COVER ASSEMBLY - PK		
6	60856	SCREW PACKAGE		
7	57940-2	LAMP - HEADLIGHT		
8	388288-6	HEADLIGHT ASSEMBLY		
9	60192-1	WIRE SPLICE 5		
10	46713-5	TIE - CABLE		
11	46713-1	TIE - CABLE		
12	70910	ON-SERT		
13	28446-2	LUTON CORD ASSEMBLY		
14	59847-5	LEAD ASSEMBLY		
15	39411	WIRE & TERMINAL ASSEMBLY		
16	39252-11	THERMOSTAT & TERMINAL ASS		
19	28226-2	CHAMBER - EXHAUST (MACHIN		
20	39223	SHEET - SEALING		
21	60807-2	MOTOR ASSY - CTND		
22	15572	RING - SUSPENSION		
23	28245	BLOCK - SUSPENSION		



Ref #	Part	Description	Comments	Qty
1	61027	SPRING - PACKAGED		
2	28187-119N	ARM - LEVER		
3	15489-119N	WHEEL CARRIAGE		
4	39168	WHEEL - FRONT		
5	39253A	AXLE		
6	27329-20	CORD & PLUG ASSEMBLY		
7	60988-1	BASE ASSEMBLY - PACKAGED		
8	59951	GASKET - FELT		
9	60989-2	BRUSHROLL ASSEMBLY - CART		
10	39151A-335N	KNOB - HT. ADJUSTMENT		
11	60988-3	HOOD & GRAPHICS ASSEMBLY-		
12	60856	SCREW PACKAGE		
13	39267-316N	ADAPTER - HOSE		
14	60811	BODY RELEASE SPRING - PKG		
15	39197B-335N	PEDAL - BODY RELEASE		
16	39255-335N	ACTUATOR - HT. ADJUSTMENT		
17	59792	SPACER - END CAP		
18	39193-2	END CAPS - BRISTLED		
19	60440A	WHIRLWIND BELT PACKAGE		
20	28443-2SV	SOLE PLATE & GASKET ASSEM		
21	60598-3	1/4 TURN FASTENER - PKG		



Ref #	Part	Description	Comments	Qty
1	60470-1	TRANSPARENT HOSE ASSY-CAR		
2	28251-119N	NOZZLE - CREVICE		
3	60990-2	COMBINATION BRSH BRSTLD-C		
4	61525	PAPER BAG - STYLE DX		
5	39186	EXTENSION TUBES ASSEMBLY		
6	71530			