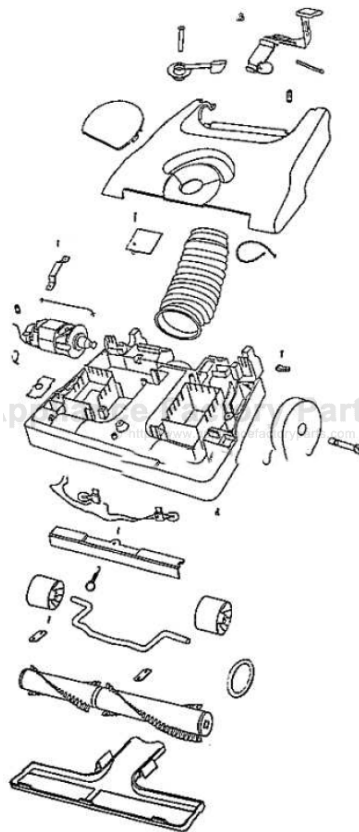


This Owner's Manual is provided and hosted by [Appliance Factory Parts](#).



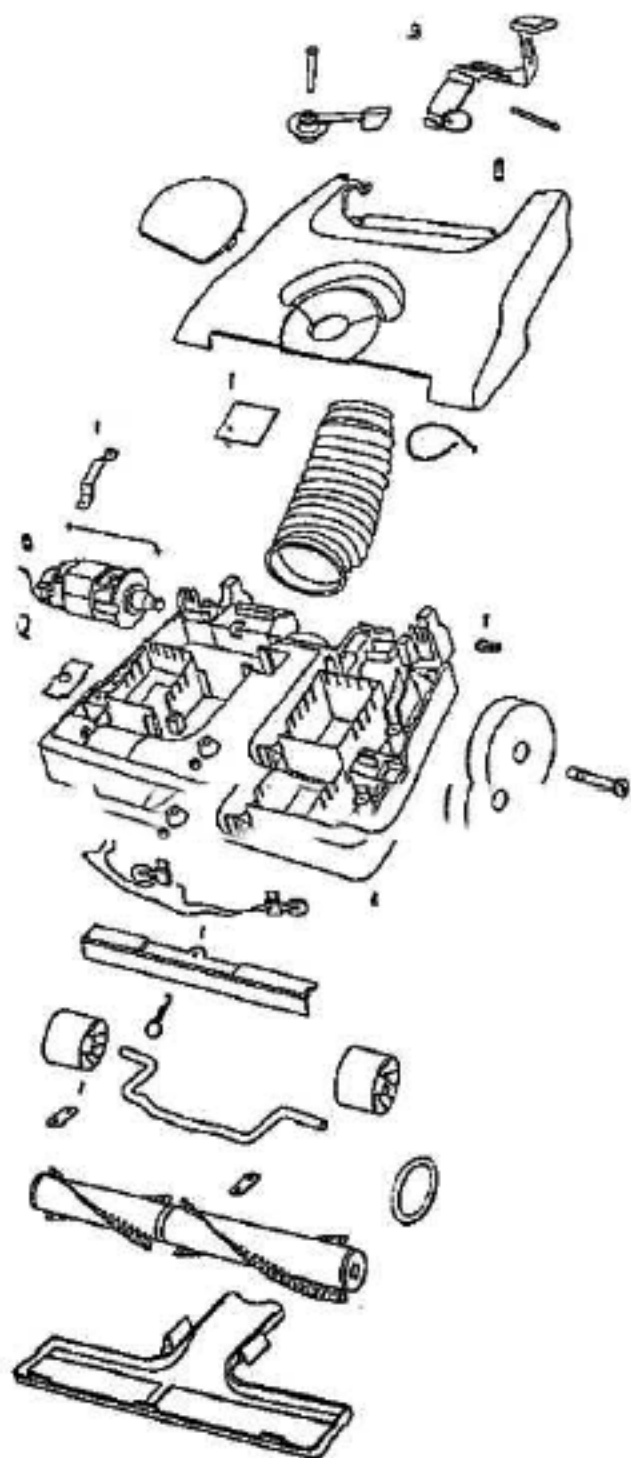
Eureka 6404AT Owner's Manual

[Shop genuine replacement parts for Eureka 6404AT](#)

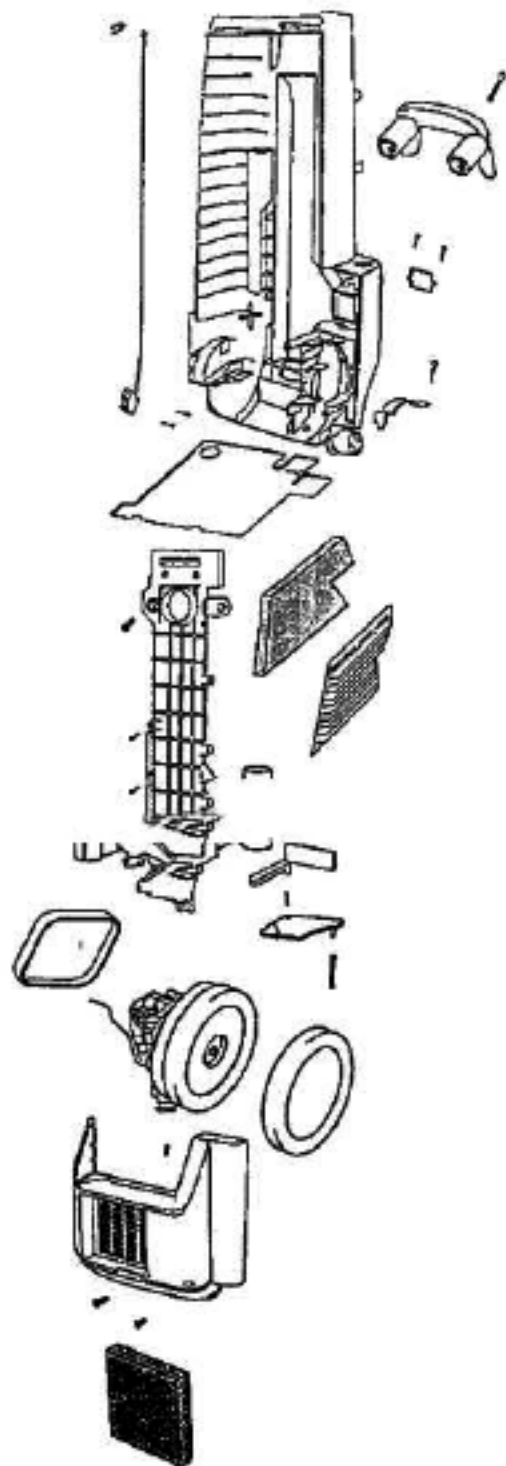


[Find Your Eureka Vacuum Cleaner Parts - Select From 855 Models](#)

----- Manual continues below -----

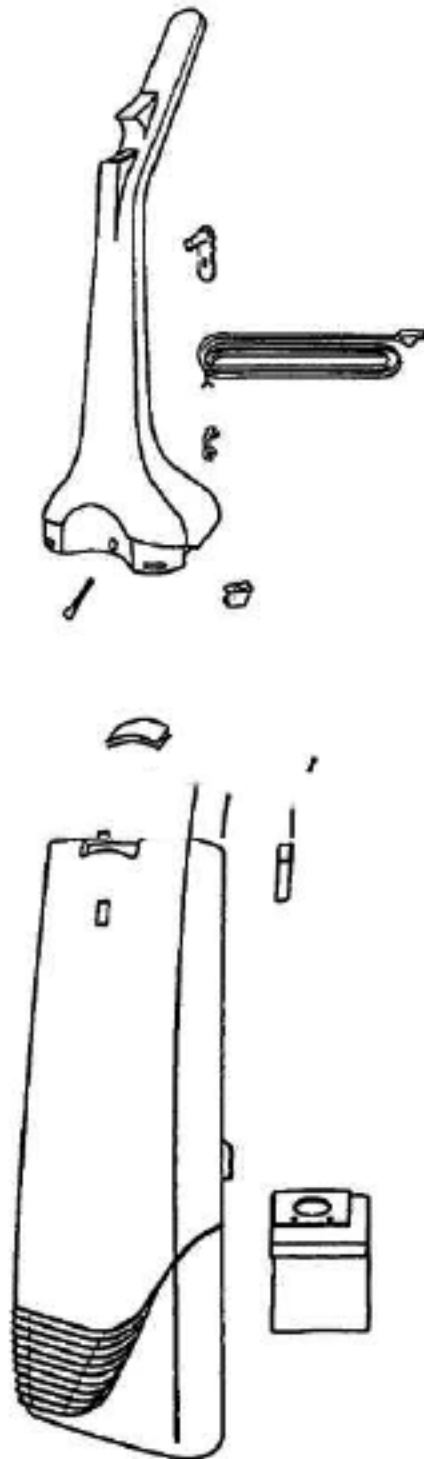


Ref #	Part	Description	Comments	Qty
1	02017-1	PLATE - SOLE		
2	26270-3	WHEEL - REAR		
3	27372-1	LEVER - ADJUSTMENT		
4	27405	PEDAL - FOOT		
5	27483-7	ADJUSTMENT COVER & GRPHCS		
6	35859A-1	WHEEL - FRONT		
7	38392	AXLE		
8	38407	CAP - FOOT PEDAL		
9	38457	AXLE - FRONT		
10	46713	TIE - CABLE (PURCHASED)		
11	46713-2	TIE - CABLE (PURCHASED)		
12	53076-2	SPRING & AXLE PACKAGE (6)		
13	53201	CLAMPS - PACKAGE 10		
14	53214-2	WIRE SPLICE 5		
15	53238-11	SCREW PACKAGE		
16	53238-4	SCREW PACKAGE		
17	54343-2	MOTOR ASSEMBLY - PACKAGED		
18	54705-5	HOOD ASSY - PACKAGE		
19	54706-3	BASE ASSY - PACKAGE		
20	54707	PACKAGE - PUSH ON NUT		
21	54708	PACKAGE - SPRING		
22	54709	PACKAGE - PRONG LOCK RETA		
23	58244	SCREW - HEIGHT ADJUSTMENT		
24	58295	CLAMP CABLE		
25	58298	PIN - FOOT PEDAL		
26	58421	SHIELD - WIRE		
27	60010	ROLL ASSEMBLY REPLACEMENT		
28	52100A	BELT PKG ASSY (UPRIGHT)		

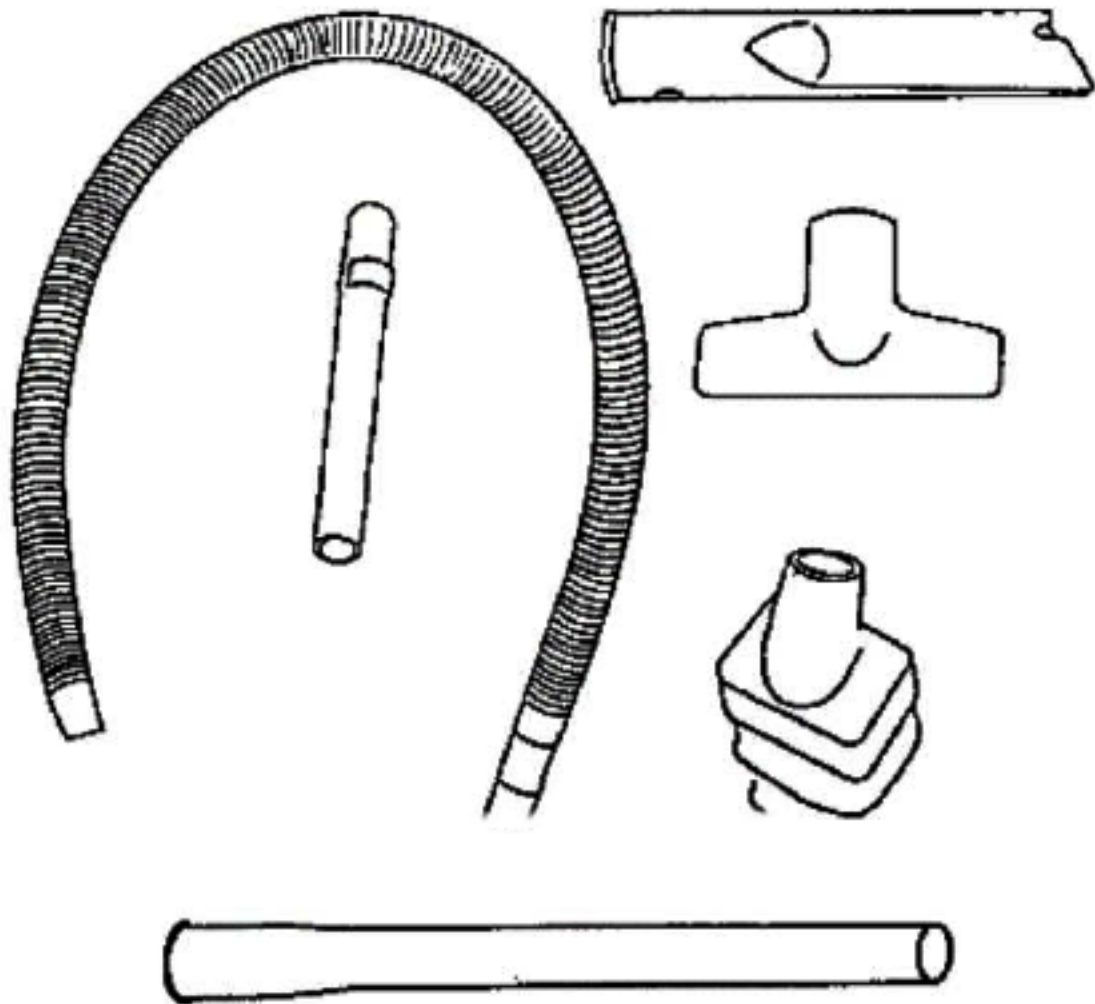


Part Number	Description
1	...
2	...
3	...
4	...
5	...
6	...
7	...
8	...
9	...
10	...

Ref #	Part	Description	Comments	Qty
1	02016A-1	DIRT CHUTE COVER W/GASKET		
2	14909-1	HANDLE - CARRYING		
3	14966	GASKET - ACCESS DOOR		
4	14967-1	ACCESS DOOR ASSY		
5	27345	ARM - CONVERTER		
6	27384	FILTER - MOTOR		
7	27385	FRAME - FILTER		
8	27410	SWITCH - MICRO SNAP		
9	27411-1	UPPER CORD ASSEMBLY		
	27411-2	UPPER CORD ASSEMBLY		
11	27536A	FILTER - FINAL		
12	27604A-2	REAR HOUSING ASSEMBLY		
13	27666	DOOR - CONVERTER VALVE		
14	38243-1	CLAMP - MOTOR		
15	38410	SHIELD - MOTOR		
16	53214-2	WIRE SPLICE 5		
17	53238-28	SCREW PACKAGE		
18	53238-32	SCREW PACKAGE		
19	53238-33	SCREW PACKAGE		
20	53238-34	SCREW PACKAGE		
21	53238-35	SCREW PACKAGE		
22	53238-4	SCREW PACKAGE		
23	54669	SCREW PACKAGE		
24	54694	MOTOR ASSY - CTND		
25	54710	PACKAGE - SPRING		
26	55463	GASKET - MOTOR STACK		



Ref #	Part	Description	Comments	Qty
1	26317A-3	RELEASE - CORD		
2	27514	LATCH - BAG COVER		
3	38348-2	SWITCH - ROCKER		
4	38394-2	SUPPLY CORD & TERMINALS		
5	53190-1	BUSHING - STRAIN RELIEF-P		
6	53238-1	SCREW PACKAGE		
7	53238-37	SCREW PACKAGE		
8	54711	PACKAGE - SPRING		
9	58183	PAPER BAG PKG ASSY (STYLE		



Hardware
Pkg.

Ref #	Part	Description	Comments	Qty
1	14070-3	WAND - STRAIGHT		
2	14990-1	WAND ASSEMBLY		
3	38381-1	RING - BLEEDER		
4	54355-3	TOOL - CREVICE		
5	54505-1	DUSTING BRUSH - PACKAGED		
6	54506-1	UPHOLSTERY NOZZLE ASSEMBL		
7	58068	PACKAGE - HARDWARE		
8	60008	HOSE ASSY - CRTND		
9	60009	HOSE ASSY - CRTND		