

This Owner's Manual is provided and hosted by [Appliance Factory Parts](#).



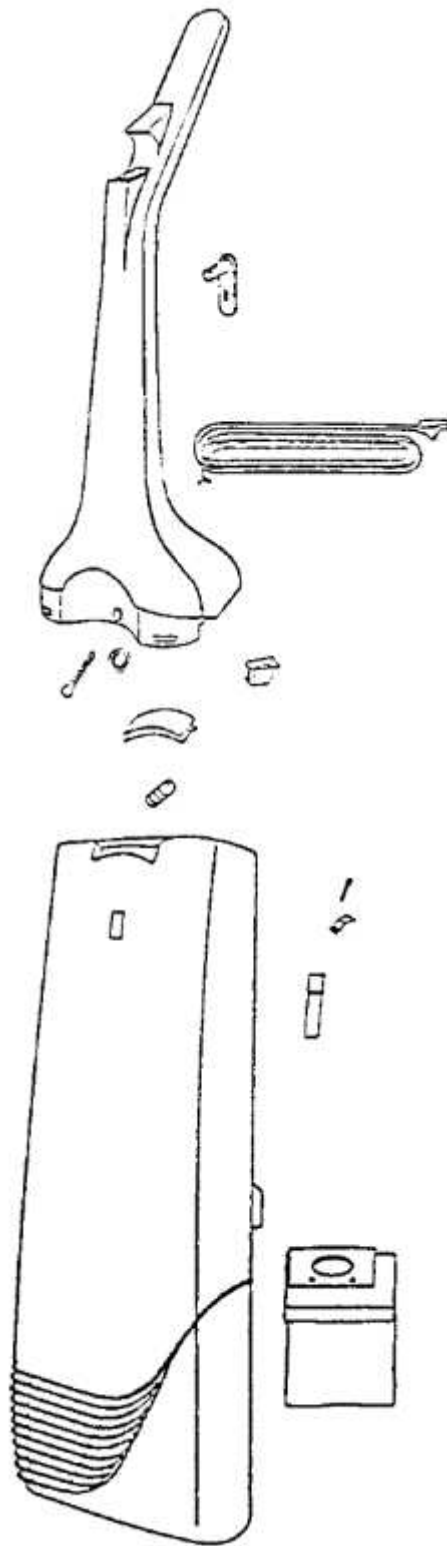
Eureka 6426AT Owner's Manual

[Shop genuine replacement parts for Eureka 6426AT](#)

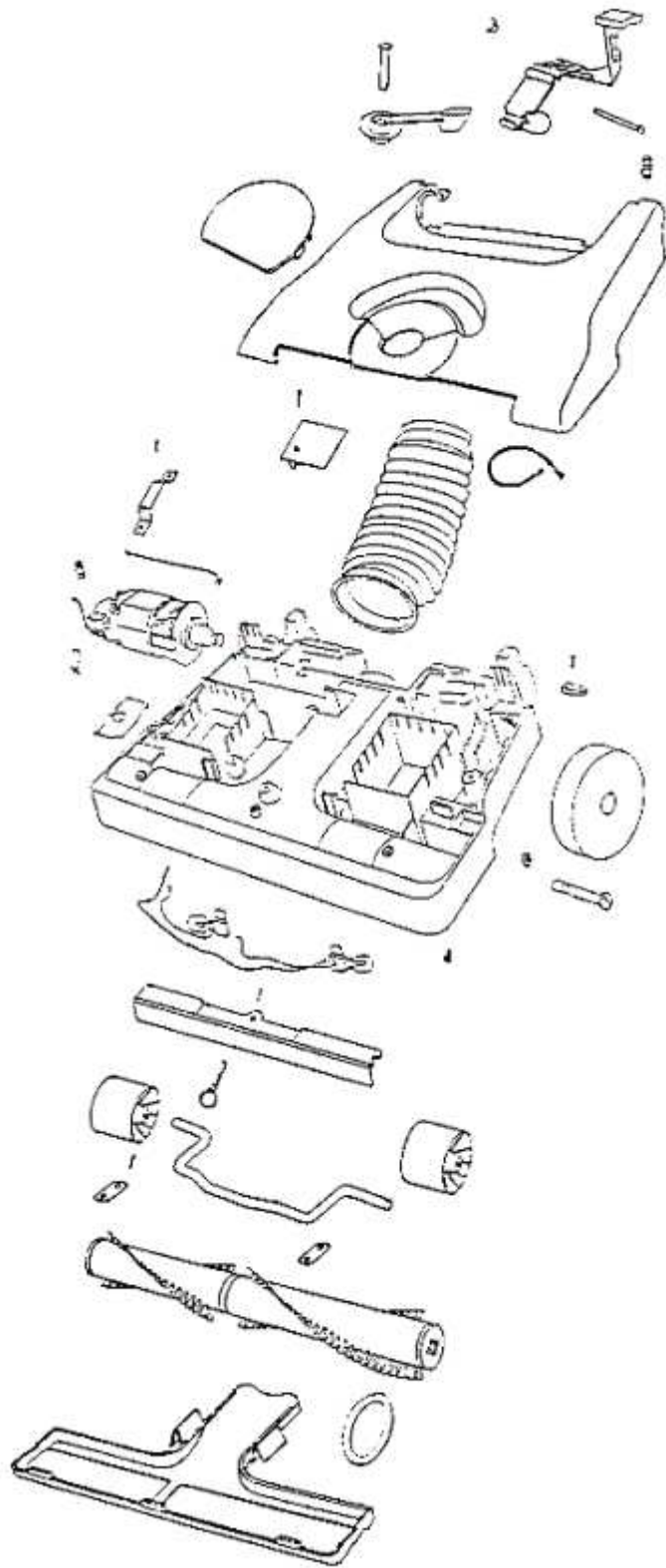


[Find Your Eureka Vacuum Cleaner Parts - Select From 853 Models](#)

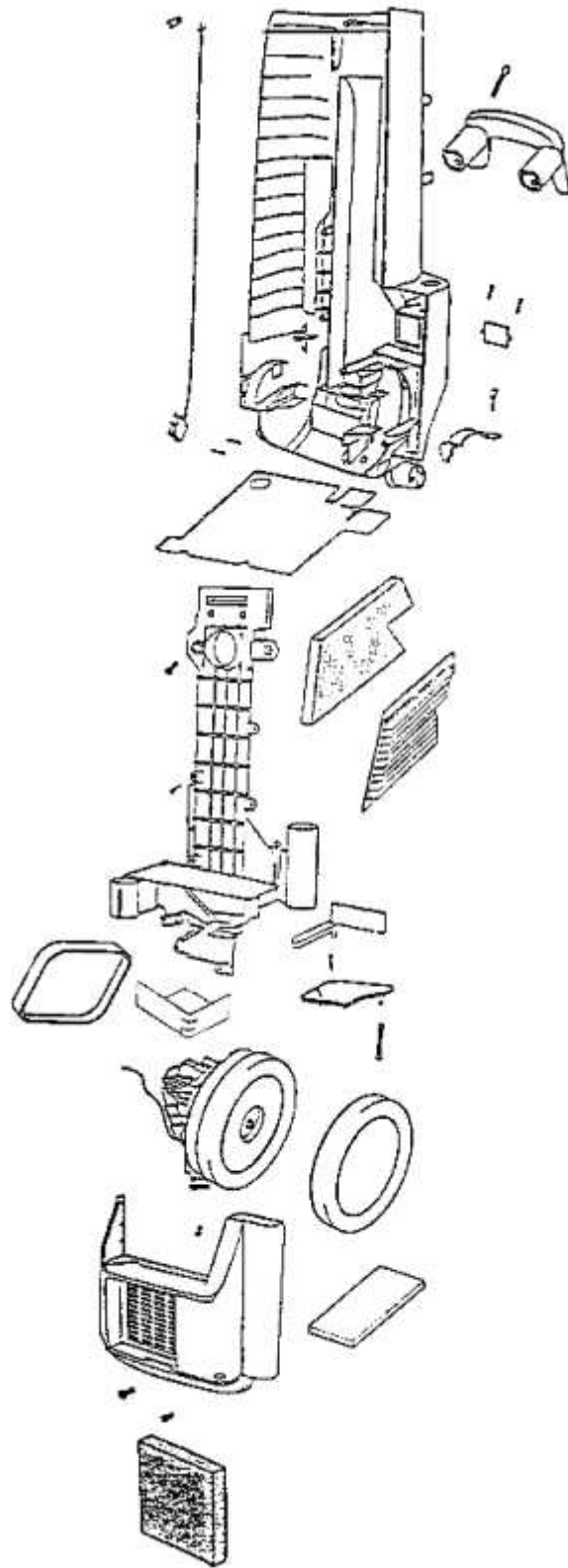
----- Manual continues below -----



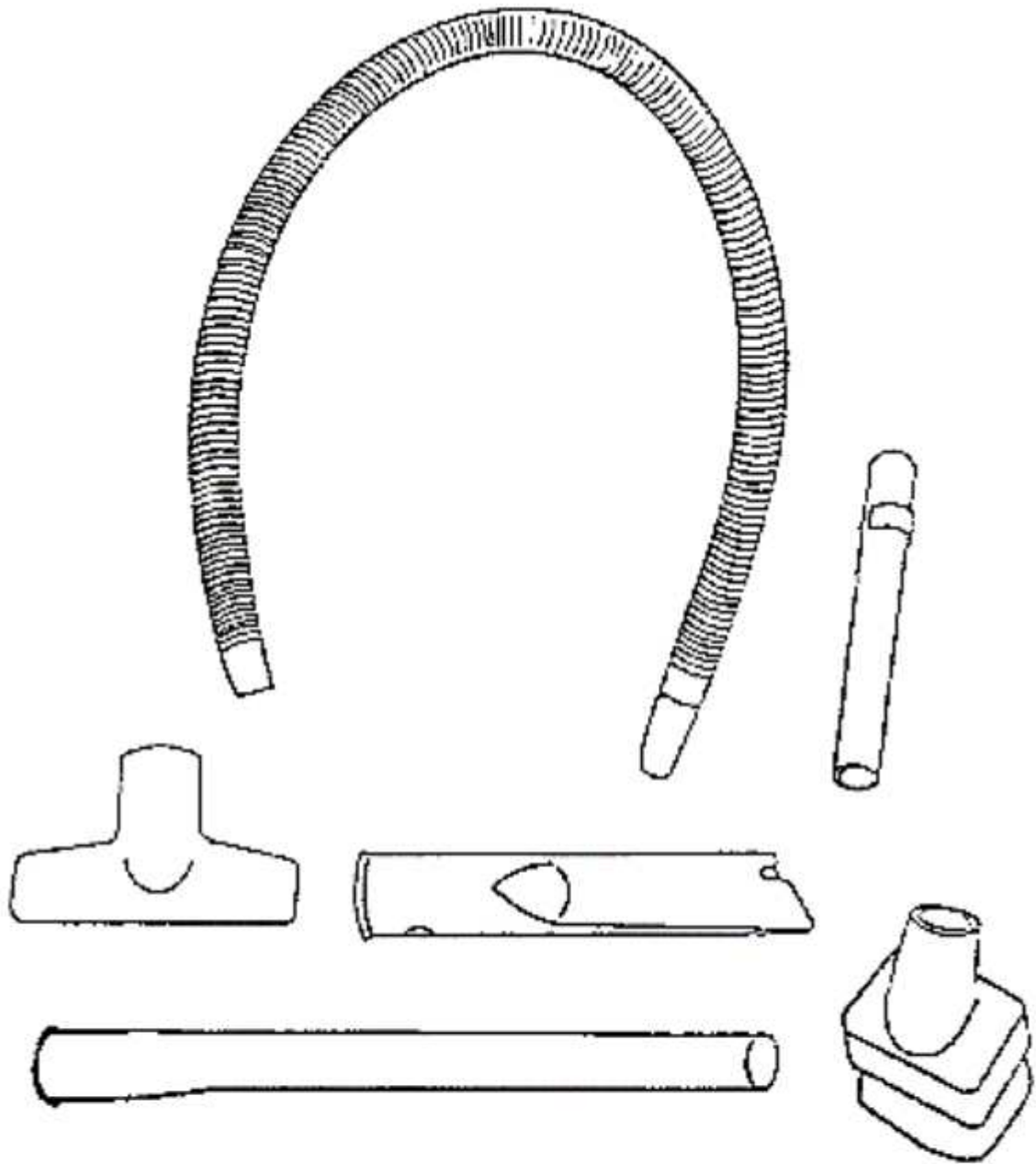
Ref #	Part	Description	Comments	Qty
1	02019A-5	HANDLE ASSEMBLY		
2	26317B-3	RELEASE - CORD		
3	27514	LATCH - BAG COVER		
4	27871	SWITCH - ROCKER		
5	37761-2	BAG INDICATOR ASSEMBLY		
6	38394-6	SUPPLY CORD & TERMINAL AS		
7	53222-5	LOCKWASHERS - PACKAGE 10		
8	53238-1	SCREW PACKAGE		
9	53238-37	SCREW PACKAGE		
10	54711	PACKAGE - SPRING		
11	56750	CLIP - BAG INDICATOR		
12	58183	PAPER BAG - STYLE Y		



Ref #	Part	Description	Comments	Qty
1	02235-119N	PLATE - SOLE		
2	26270-3	WHEEL - REAR		
3	27372-1	LEVER - ADJUSTMENT		
4	27376	LAMP SOCKET & HARNESS ASS		
5	27405	PEDAL - FOOT		
6	27412-1	LOWER CORD ASSEMBLY		
7	27483-2	ADJUSTMENT COVER & GRPHCS		
8	35859A-1	WHEEL - FRONT		
9	38392	AXLE		
10	38407	CAP - FOOT PEDAL		
11	38457	AXLE - FRONT		
12	46713	TIE - CABLE (PURCHASED)		
13	46713-2	TIE - CABLE		
14	52100	BELT PKG ASSY (UPRIGHT)		
15	53076-2	SPRING & AXLE PACKAGE (6)		
16	53201	CLAMPS - PACKAGE 10		
17	53214-2	WIRE SPLICE 5		
18	53238-11	SCREW PACKAGE		
19	53238-4	SCREW PACKAGE		
20	54343-5	MOTOR ASSEMBLY - PACKAGED		
21	54705-10	HOOD ASSY - PACKAGE		
22	54706-6	BASE ASSY - PACKAGE		
23	54707	PACKAGE - PUSH ON NUT		
24	54708	PACKAGE - SPRING		
25	54709	PACKAGE - PRONG LOCK RETA		
26	57940	LAMP - HEADLIGHT		
27	58244	SCREW - HEIGHT ADJUSTMENT		
28	58298	PIN - FOOT PEDAL		
29	58421	SHIELD - WIRE		
30	58430	CLAMP CABLE		
31	60167-1	ROLL ASSEMBLY REPLACEMENT		



Ref #	Part	Description	Comments	Qty
1	14909-1	HANDLE - CARRYING		
2	14966	GASKET - ACCESS DOOR		
3	14967-1	ACCESS DOOR ASSY		
4	27345	ARM - CONVERTER		
5	27384	FILTER - MOTOR		
6	27385	FRAME - FILTER		
7	27410	SWITCH - MICRO SNAP		
8	27666	DOOR - CONVERTER VALVE		
9	27686	SOUND FOAM		
10	27898	UPPER CORD ASSEMBLY		
11	27902-1	REAR HOUSING ASSEMBLY		
12	27905-1	MTR COVER - PKGD - DOM.		
13	38243-1	CLAMP - MOTOR		
14	38410	SHIELD - MOTOR		
15	38427	CLIP - WAND		
16	38618	DEFLECTOR - AIR		
17	53214-2	WIRE SPLICE 5		
18	53238-28	SCREW PACKAGE		
19	53238-33	SCREW PACKAGE		
20	53238-34	SCREW PACKAGE		
21	53238-35	SCREW PACKAGE		
22	53238-4	SCREW PACKAGE		
23	54669-1	SCREW PACKAGE		
24	54710	PACKAGE - SPRING		
25	54938-2	SCREW PACKAGE		
26	55463	GASKET - MOTOR STACK		
27	60012	MOTOR ASSY - CTND		
28	60032-2	DIRT CHUTE COVER W/GASKET		
29	60140	HEPA FILTER PAK		



Hardware
Pkg.

Ref #	Part	Description	Comments	Qty
1	14990-2	WAND ASSEMBLY		
2	38381-1	RING - BLEEDER		
3	54723	WAND - STRAIGHT		
4	54780	TOOL - CREVICE		
5	54782	UPHOLSTERY NOZZLE ASSEMBL		
6	54787	DUSTING BRUSH - PACKAGED		
7	58068	PACKAGE - HARDWARE		
8	60168	HOSE ASSY - CRTND		