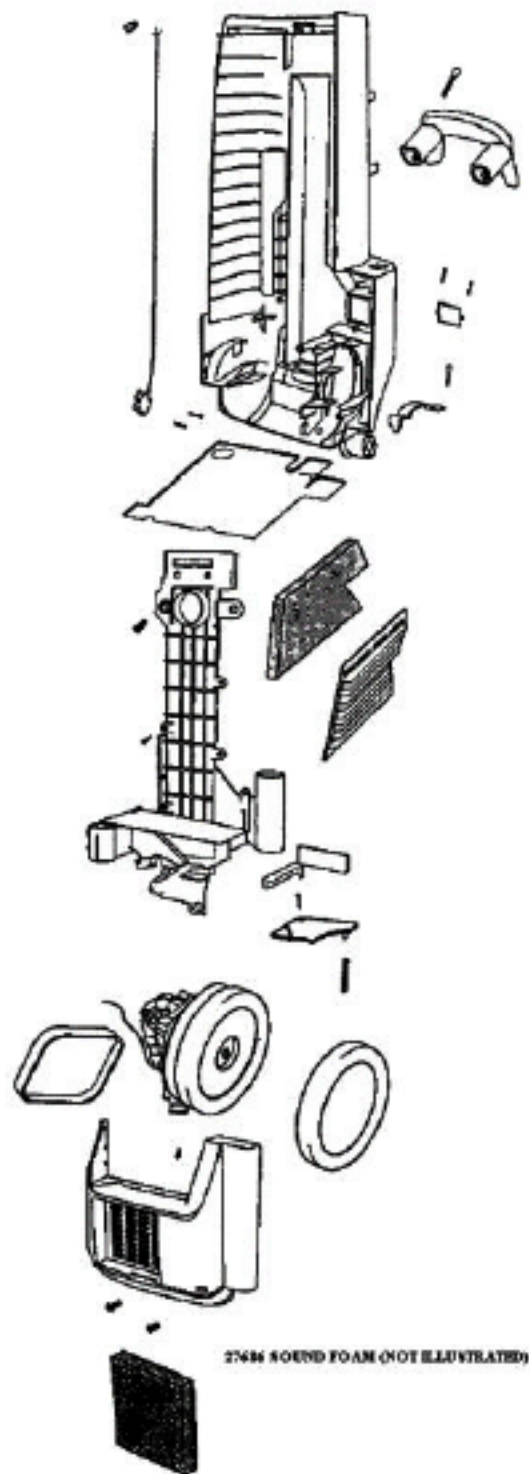




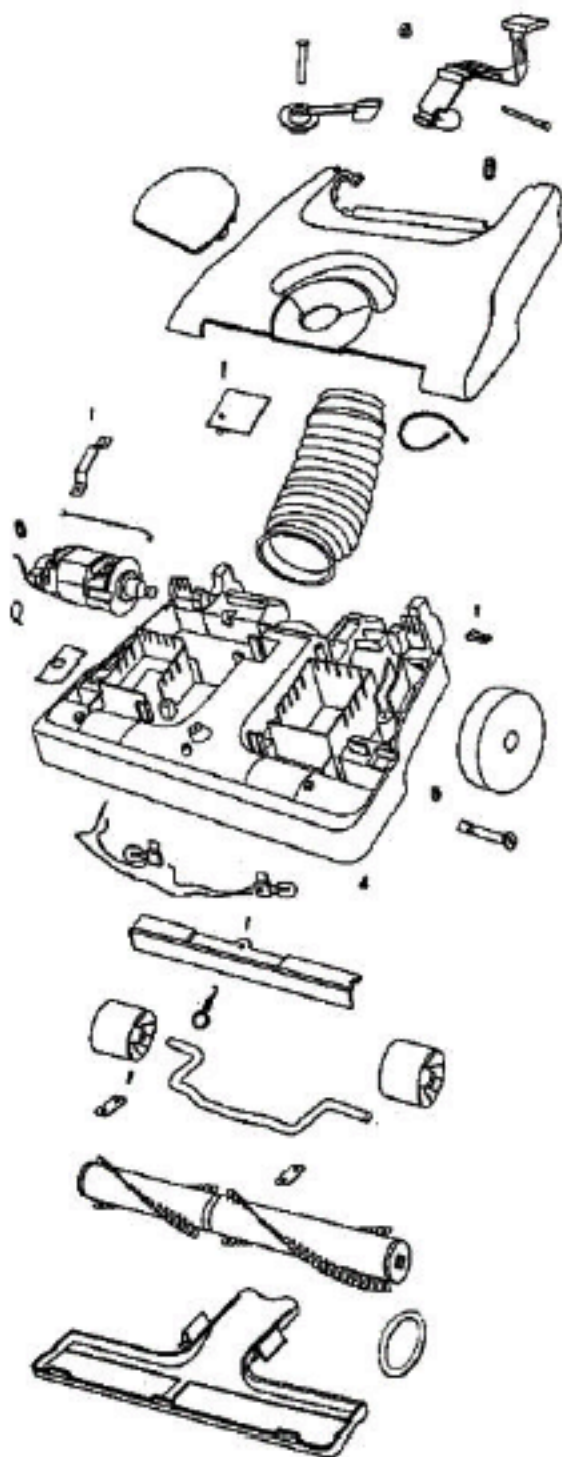
## PARTS3 - 6435AT

Ref #	Part	Description	Comments	Qty
1	26317A-3	RELEASE - CORD		
2	27514	LATCH - BAG COVER		
3	37761-2	BAG INDICATOR ASSEMBLY		
4	38348-3	SWITCH - ROCKER		
5	38394-3	SUPPLY CORD & TERMINALS		
6	53190-1	BUSHING - STRAIN RELIEF-P		
7	53238-1	SCREW PACKAGE		
8	53238-37	SCREW PACKAGE		
9	54711	PACKAGE - SPRING		
10	56750	CLIP - BAG INDICATOR		
11	58183	BAGS Y PAK		



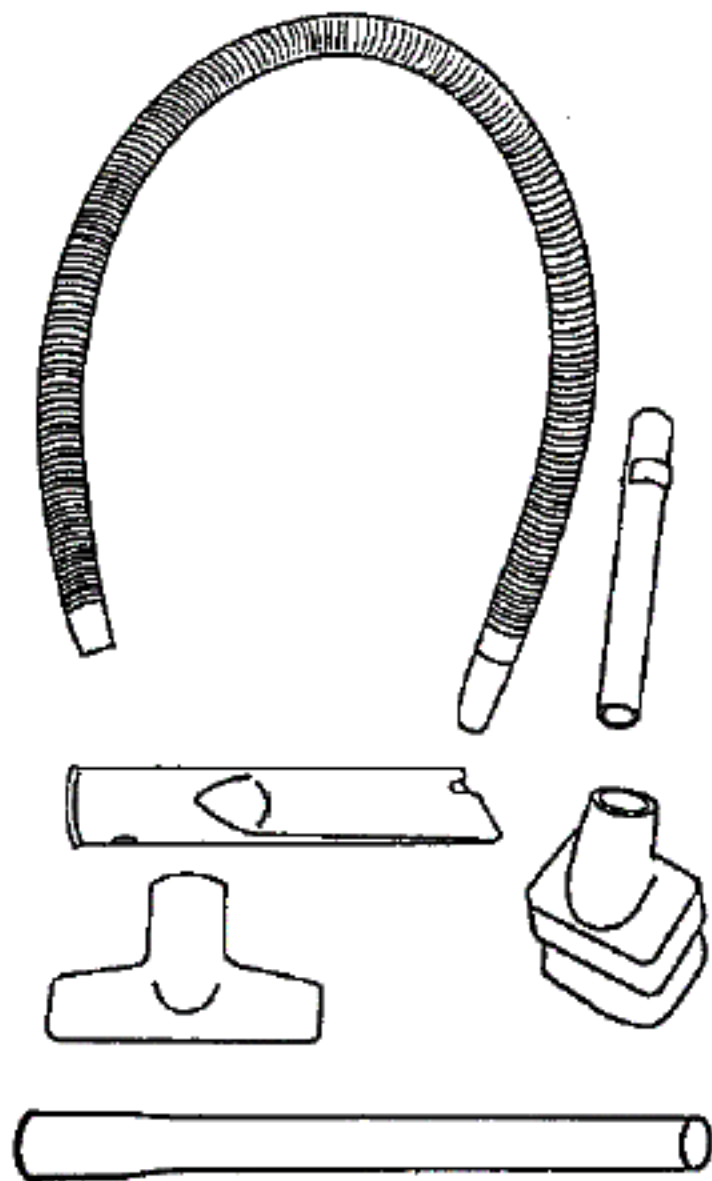
## PARTS2 - 6435AT

Ref #	Part	Description	Comments	Qty
1	02016A-1	DIRT CHUTE COVER W/GASKET		
2	14909-1	HANDLE - CARRYING		
3	14966	GASKET - ACCESS DOOR		
4	14967-1	ACCESS DOOR ASSY		
5	27345	ARM - CONVERTER		
6	27384	FILTER - MOTOR		
7	27385	FRAME - FILTER		
8	27410	SWITCH - MICRO SNAP		
9	27411-2	UPPER CORD ASSEMBLY		
10	27413A-1	REAR HOUSING ASSEMBLY		
11	27536A	FILTER - FINAL		
12	27665	DOOR - CONVERTER VALVE		
13	27686	SOUND FOAM		
14	38243-1	CLAMP - MOTOR		
15	38410	SHIELD - MOTOR		
16	53214-2	WIRE SPLICE 5		
17	53238-28	SCREW PKG		
18	53238-32	SCREW PACKAGE		
19	53238-33	SCREW PACKAGE		
20	53238-34	SCREW PACKAGE		
21	53238-35	SCREW PACKAGE		
22	53238-4	SCREW PACKAGE		
23	54669	SCREW PACKAGE		
24	54710	PACKAGE - SPRING		
25	55463	GASKET - MOTOR STACK		
26	60012	MOTOR ASSY - CTND		



## PARTS1 - 6435AT

Ref #	Part	Description	Comments	Qty
1	02017-1	PLATE - SOLE		
2	26270-3	WHEEL - REAR		
3	27372-1	LEVER - ADJUSTMENT		
4	27376	LAMP SOCKET & HARNESS ASS		
5	27405	PEDAL - FOOT		
6	27412-1	LOWER CORD ASSEMBLY		
7	27483-3	ADJUSTMENT COVER & GRPHCS		
8	35858A-1	WHEEL - FRONT		
9	38392	AXLE		
10	38407	CAP - FOOT PEDAL		
11	38457	AXLE - FRONT		
12	46713	TIE - CABLE (PURCHASED)		
13	46713-2	TIE - CABLE (PURCHASED)		
14	53076-2	SPRING & AXLE PACKAGE (S)		
15	53201	CLAMPS - PACKAGE 10		
16	53214-2	WIRE SPLICE 5		
17	53238-11	SCREW PACKAGE		
18	53238-4	SCREW PACKAGE		
19	54343-2	MOTOR ASSEMBLY - PACKAGED		
20	54705-4	HOOD ASSY - PACKAGE		
21	54706-3	BASE ASSY - PACKAGE		
22	54707	PACKAGE - PUSH ON NUT		
23	54708	PACKAGE - SPRING		
24	54709	PACKAGE - PRONG LOCK RETA		
25	57940	LAMP - HEADLIGHT		
26	58244	SCREW - HEIGHT ADJUSTMENT		
27	58295	CLAMP CABLE		
28	58298	PIN - FOOT PEDAL		
29	58421	SHIELD - WIRE		
30	60011	ROLL ASSEMBLY REPLACEMENT		



Hardware  
Pkg.

## ACCESSORIES - 6435AT

Ref #	Part	Description	Comments	Qty
1	14070-3	WAND - STRAIGHT		
2	14990-1	WAND ASSEMBLY		
3	38381-1	RING - BLEEDER		
4	54355-3	TOOL - CREVICE		
5	54505-1	DUSTING BRUSH - PACKAGED		
6	54506-1	UPHOLSTERY NOZZLE ASSEMBL		
7	58068	PACKAGE - HARDWARE		
8	60008	HOSE ASSY - CRTND		
9	60009	HOSE ASSY - CRTND		