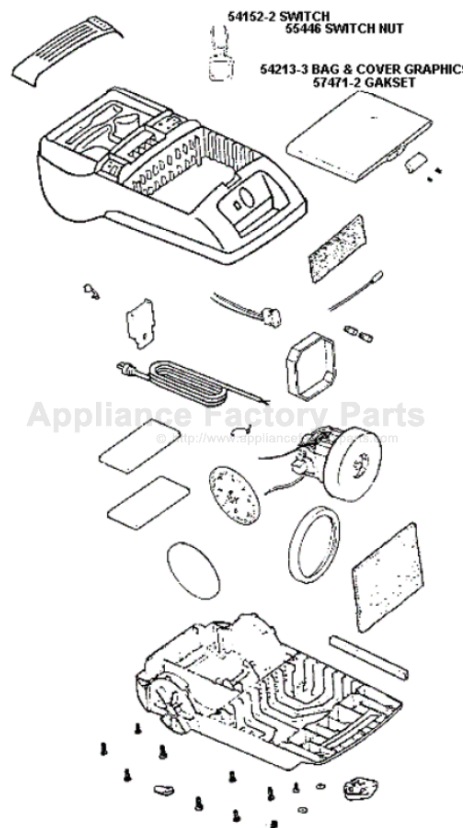


This Owner's Manual is provided and hosted by Appliance Factory Parts.



Eureka 6810A Owner's Manual

[Shop genuine replacement parts for Eureka 6810A](#)



[Find Your Eureka Vacuum Cleaner Parts - Select From 855 Models](#)

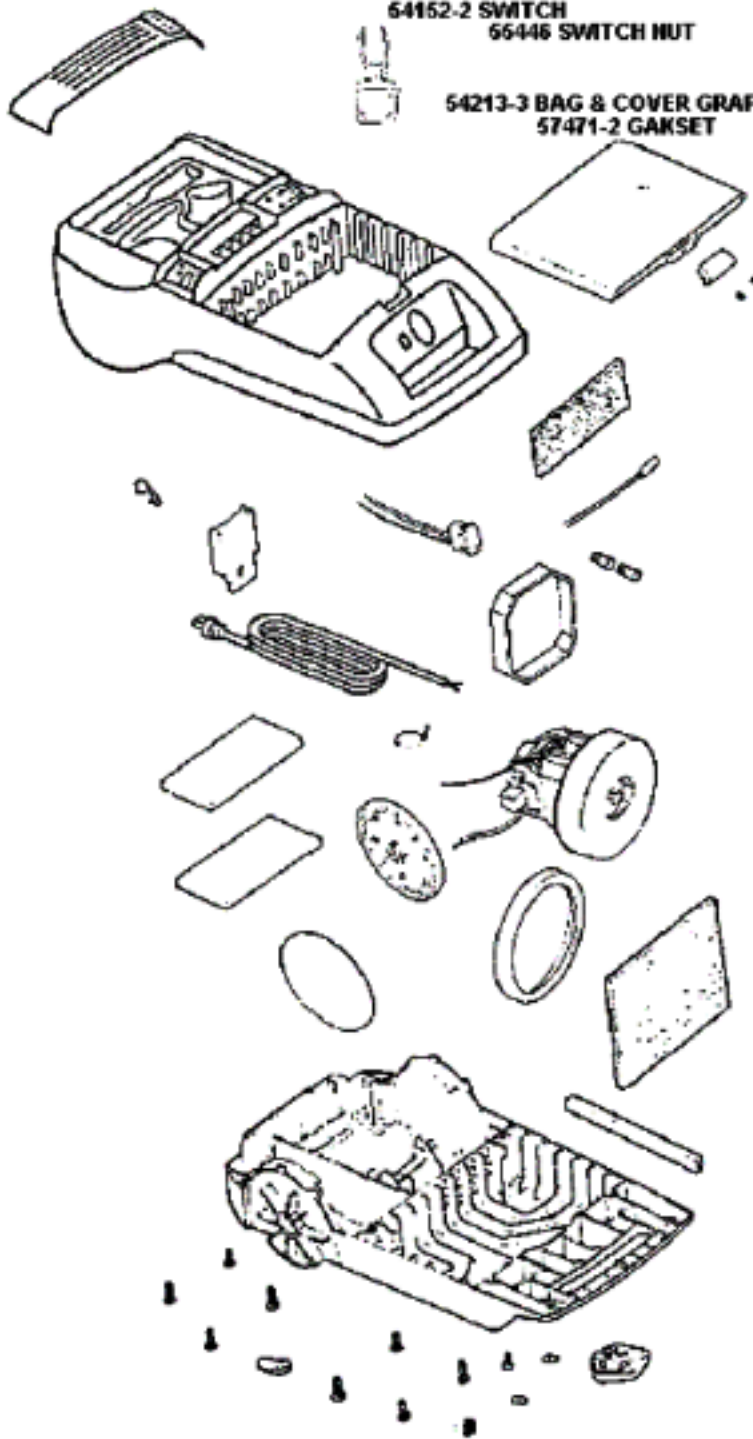
----- Manual continues below part list -----

Available Replacement Parts for Eureka 6810A

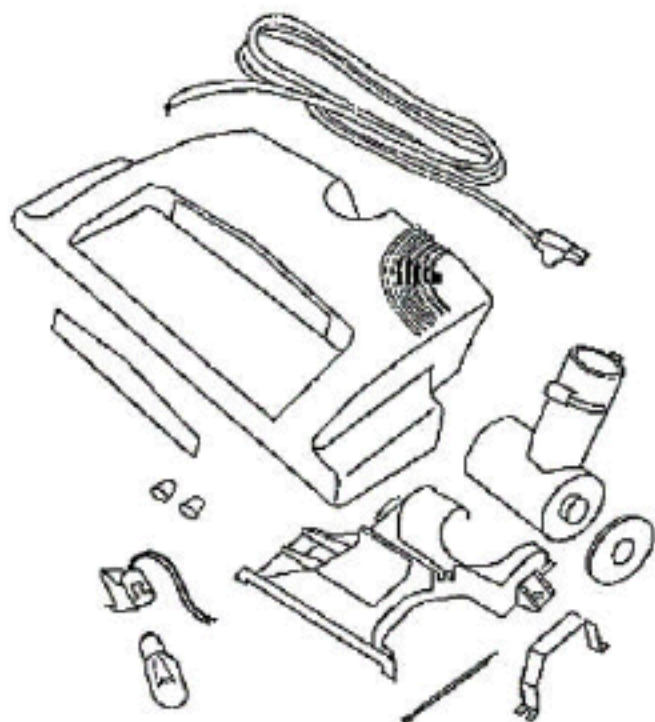
| | |
|--------------------------|-------------------------------|
| E-37657 | FILTER, CANISTER, 1PK |
| 155506 | MOTOR |
| 195-9488 | 14 INCH WIRE DOLLY - 4 SOCKET |

64152-2 SWITCH
66446 SWITCH NUT

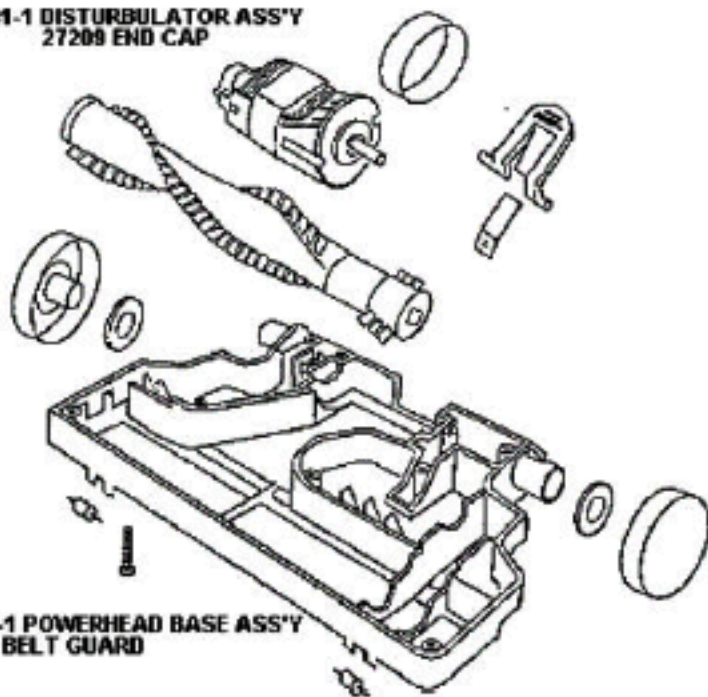
54213-3 BAG & COVER GRAPHICS
57471-2 GASKET



| Ref # | Part | Description | Comments | Qty |
|-------|----------|---------------------------|----------|-----|
| 1 | 14571-2 | BTN COVER & GRAPH (NLA) | | |
| 2 | 26440-25 | WHEEL-REAR-BLACK | | |
| 3 | 26651-4 | CONNECTOR ASSY (26651-3) | | |
| 4 | 26715A | GASKET MOTOR M | | |
| 5 | 27009-3 | BTN LATCH | | |
| 6 | 27382-2 | CORD ASY | | |
| 7 | 37403-1 | CASTER | | |
| 8 | 37490-3 | RELEASE-CORD | | |
| 9 | 37657 | FILTER-MOTOR | | |
| 10 | 37966 | SOUND FOAM | | |
| 11 | 38083 | EXHAUST FILTER | | |
| 12 | 46713 | TIE - CABLE (PUR (26307 | | |
| 13 | 53190-1 | BUSHING-PKG 10 (155318) | | |
| 14 | 53197-1 | SCREWS-PKG 10 (55372-1 | | |
| 15 | 53214-2 | Discontinued, use 60192-1 | | |
| 16 | 53238-22 | SCREW PACKAGE | | |
| 17 | 53374 | MOTOR ASSY - PACKAGED | | |
| 18 | 54152-2 | Discontinued, use 13740-4 | | |
| 19 | 54213-3 | BAG COVER & GRPHCS ASSY - | | |
| 20 | 55446 | NUT - SWITCH (155437) | | |
| 21 | 55463 | GASKET - MOTOR STACK | | |
| 22 | 55794 | SPRING | | |
| 23 | 56088 | SPRING (NLA) | | |
| 24 | 56146 | THERMOSTAT | | |
| 25 | 56326-1 | WIRE TUBE (NLA) | | |
| 26 | 56376 | WASHER | | |
| 27 | 57471-2 | GASKET-SHELL (57471-1 | | |



54641-1 DISTURBULATOR ASS'Y
27209 END CAP

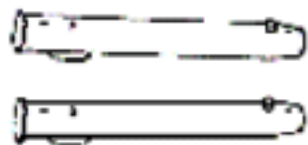


54639-1 POWERHEAD BASE ASS'Y
38063 BELT GUARD

PARTS2 - 6810A

| Ref # | Part | Description | Comments | Qty |
|-------|----------|-------------------------------|----------|-----|
| 1 | 14940-1 | PEDAL-FOOT (155520) | | |
| 2 | 27397-1 | LENS-HOOD (155508) (NLA) | | |
| 3 | 27398-1 | COVER-AIR DUCT (155518) | | |
| 4 | 35970-18 | Discontinued, use 27672-3 | | |
| 5 | 37434-1 | WHEEL - REAR | | |
| 6 | 38063 | GUARD - BELT (155512) | | |
| 7 | 38377 | STRAP-MTR/B-frame motors | | |
| 8 | 38379-1 | SOCKET-HANDLE (155515) | | |
| 9 | 38484-1 | SOCKET-HEADLIGHT | | |
| 10 | 48815 | LAMP - HEADLIGHT | | |
| 11 | 53214-2 | Discontinued, use 60192-1 | | |
| 12 | 53238-8 | SCREW PKG (15543)(EW312-8-8Z) | | |
| 13 | 53984-1 | WHL/AXLE-FR (155513) | | |
| 14 | 54343-1 | PH MOTOR ASSY (155506) | | |
| 15 | 54639-1 | POWERHEAD HOOD/BASE KIT | | |
| 16 | 54641-1 | DISTURBULATOR ASSY - CART | | |
| 17 | 54672-1 | POWERHEAD HOOD/BASE KIT | | |
| 18 | 56180 | FELT WASHER (155416) | | |
| 19 | 57421-2 | WIRE & TERM ASY (NLA) | | |
| 20 | 57992 | GASKET-FELT (155516) | | |
| 21 | 58065 | BELT PKG ASSY - (PH) | | |
| 22 | 58169 | SPRING (155521) | | |

53579-2 HOSE ASS'Y
34272-5 BLEEDER



ACCESSORIES - 6810A

| Ref # | Part | Description | Comments | Qty |
|-------|---------|-------------------------------|----------|-----|
| 1 | 34272-5 | BLEEDER | | |
| 2 | 36879-5 | WAND (38310-1)button lock/ | | |
| 3 | 53454-7 | UPHOL. NOZZLE (34691-8)5 1/2" | | |
| 4 | 53455-5 | DUSTING BRUSH - PACKAGED | | |
| 5 | 53579-2 | HOSE ASSY | | |
| 6 | 54355-3 | TOOL - CREVICE | | |