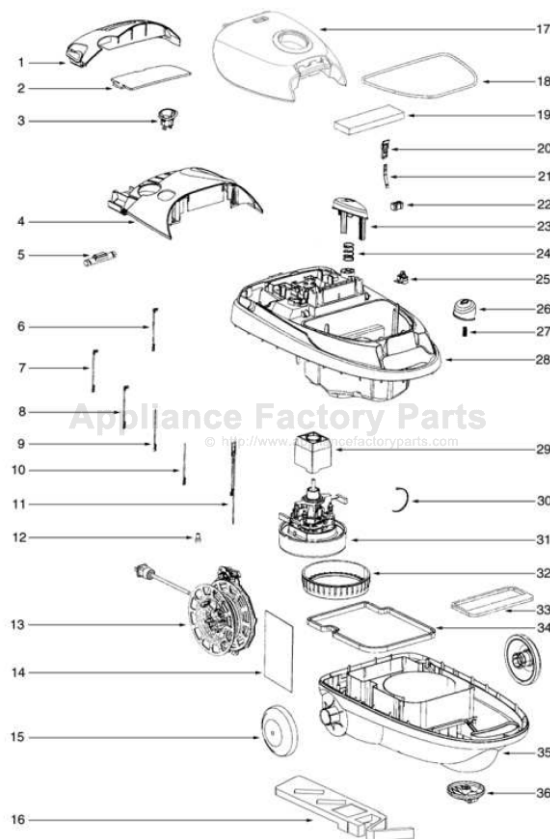


This Owner's Manual is provided and hosted by [Appliance Factory Parts](http://ApplianceFactoryParts.com).



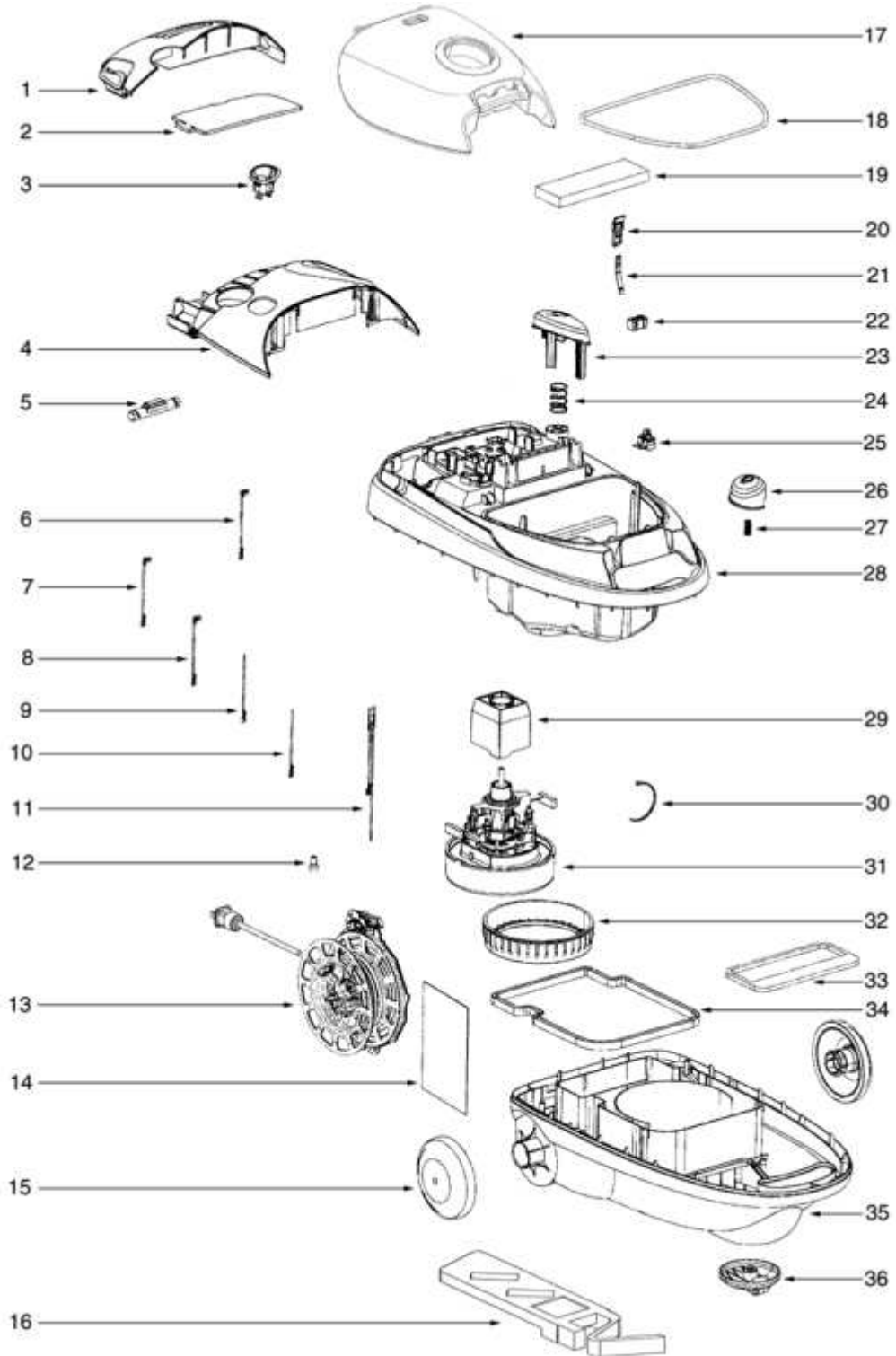
Eureka 6852A Owner's Manual

[Shop genuine replacement parts for Eureka 6852A](#)

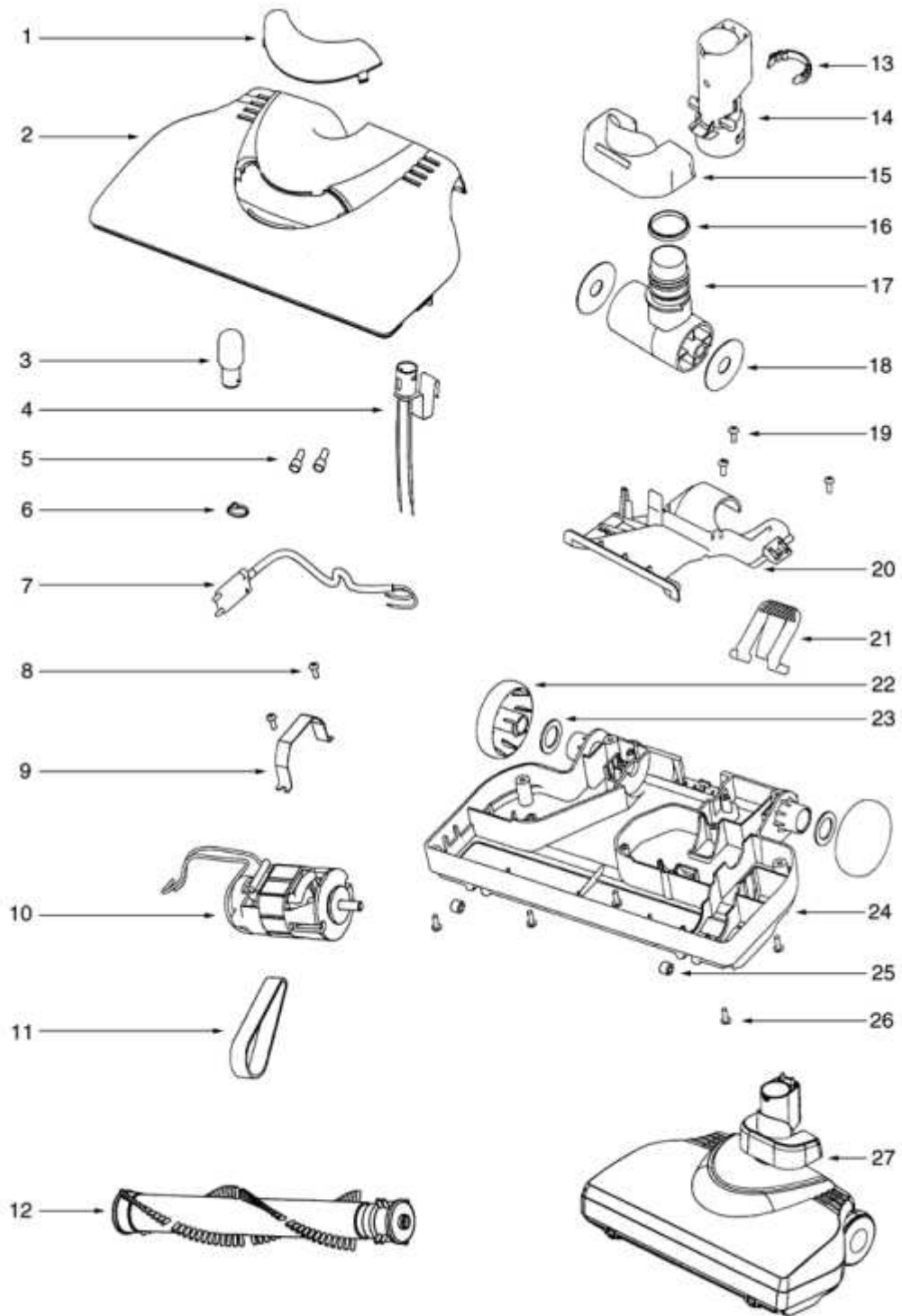


[Find Your Eureka Vacuum Cleaner Parts - Select From 853 Models](#)

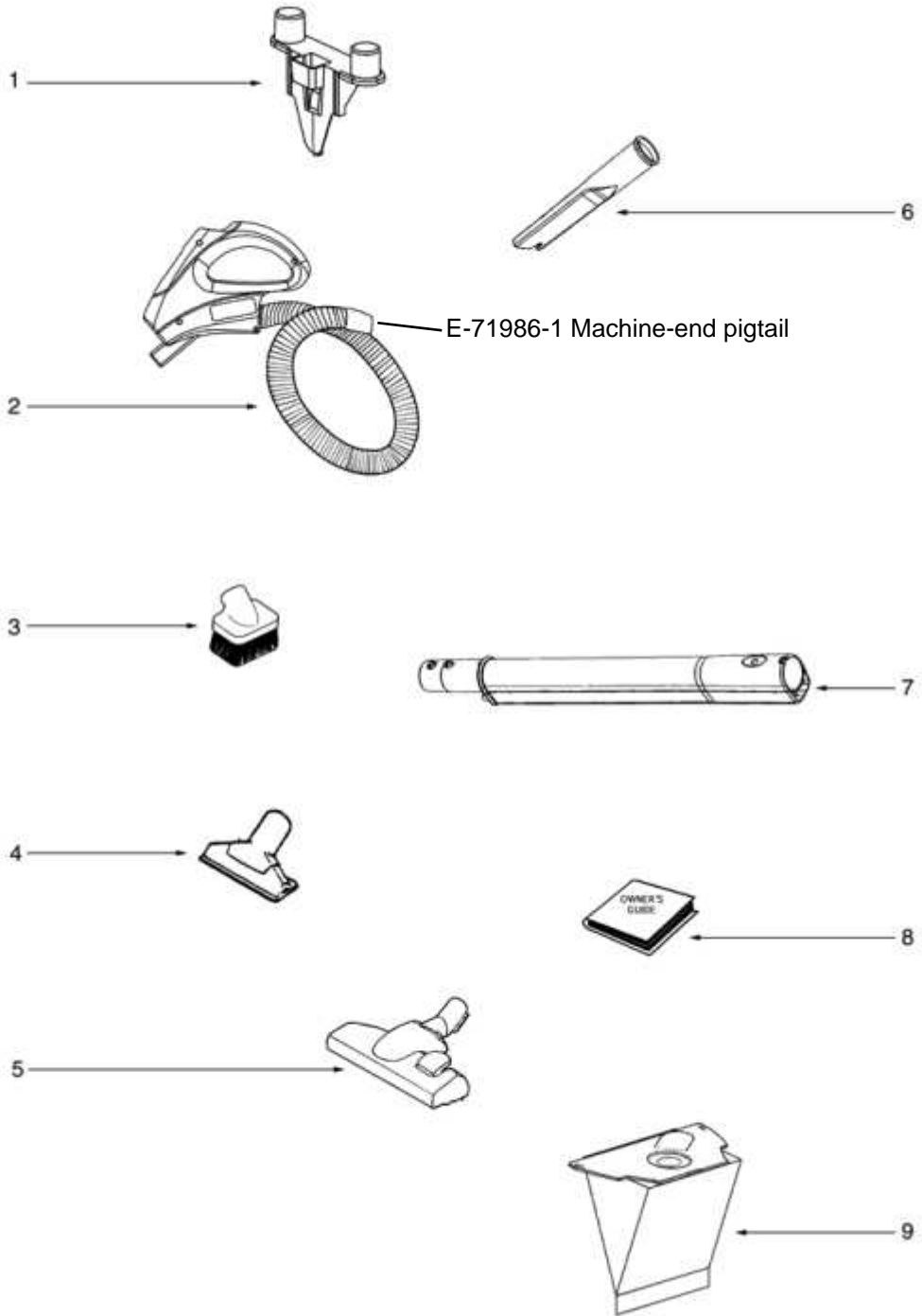
----- Manual continues below -----



Ref #	Part	Description	Comments	Qty
1	E-15781-1	EXHAUST FLTR CVR & GRPHS		
2	E-39483	FILTER - EXHAUST		
3	E-28638-385N	BEZEL - POWER OUTLET		
4	E-02482A-385N	COVER - TRIM		
5	E-39552	DUST BAG INDICATOR		
6	E-39490-1	LEAD & TERMINAL ASSEMBLY		
7	E-39490-4	LEAD & TERMINAL ASSEMBLY		
8	E-39490-5	LEAD & TERMINAL ASSEMBLY		
9	E-39490-2	LEAD & TERMINAL ASSEMBLY		
10	E-39490-3	LEAD & TERMINAL ASSEMBLY		
11	E-59500	THERMOSTAT & TERMINAL ASS		
12	E-60192-1	WIRE SPLICE 5		
13	E-28632	CORD REEL ASSEMBLY		
14	E-39530	SHIELD - WIRING		
15	E-28621-355N	WHEEL - REAR		
16	E-39492	GUARD - POWER OUTLET		
17	E-61979-1	BAG COVER ASSY - PACKAGED		
18	E-70055-4	GASKET - BAG CHAMBER		
19	E-39481	FILTER - DISASTER		
20	E-28633	DEVICE - NO BAG SAFETY		
21	E-39478	SPRING - LEAF		
22	39506	CONNECTOR - POWER OUTLET		
23	E-28624-355N	PEDAL - ON/OFF		
24	E-71922	SPRING - SWITCH PEDAL		
25	E-39482	SWITCH - PUSH		
26	E-28623-355N	PEDAL - CORD REEL		
27	E-71923	SPRING - CORD REEL PEDAL		
28	E-02480B-355N	SHELL - UPPER		
29	E-28630	BUSHING - MOTOR		
30	E-46713-5	TIE - CABLE		
31	E-60261-8	MOTOR ASSEMBLY - PACKAGED		
32	E-28032	GASKET - MOTOR MOUNTING		
33	E-39477	SEAL - AIR INLET		
34	E-28627	SEAL - MOTOR COMPARTMENT		
35	E-02479-355N	SHELL - LOWER		
36	E-39479	CASTER ASSEMBLY		



Ref #	Part	Description	Comments	Qty
1	E-39561	LENS		
2	E-54672-33	HOOD & GRAPHICS ASSY - PK		
3	E-59045	HEADLIGHT		
4	E-39559	LAMP SOCKET		
5	E-60192-1	WIRE SPLICE 5		
6	E-46713-5	TIE - CABLE		
7	E-39566	POWER CORD		
9	E-72315	STRAP - MOTOR		
10	E-54343-1	MOTOR ASSEMBLY - PACKAGED		
11	E-58065A	BELT - STYLE AR		
12	E-60279-1	DISTURBULATOR ASSY - CTND		
13	E-39564-119N	C- RING		
14	E-72324-119N	COUPLING		
15	E-72325-119N	QUICK DISCONNECT PEDAL		
16	E-39563	O- RING		
17	E-72326-119N	T-JOINT		
18	E-57992	GASKET - FELT		
20	E-39562	T-JOINT COVER ASSY		
21	E-39560-355N	FOOT PEDAL		
22	E-72327-355N	WHEEL - REAR		
23	E-56180	FELT WASHER		
24	E-54639-5	BASE ASSEMBLY - POWER HEA		
25	E-60963	FRONT WHEEL ASSEMBLY		
26	E-53238-8	SCREW PACKAGE		
27	E-54575-28	POWER HEAD ASSEMBLY - CAR		



Ref #	Part	Description	Comments	Qty
1	E-72040A	TOOL CADDY		
2	E-61977	POWERHEAD HOSE ASSY - CTN		
3	E-54505-3	DUSTING BRUSH - PACKAGED		
4	E-38284-3	UPHOLSTERY NOZZLE ASSEMBL		
5	E-39134-6	DELUXE FLOOR NOZZLE ASSEM		
6	E-27237-3	TOOL - CREVICE		
7	E-39422-1	DIRECT CONNECT WAND ASSEM		
8	E-72923	OWNER'S GUIDE		
9	E-61980	PAPER BAG-STYLE CN-1		