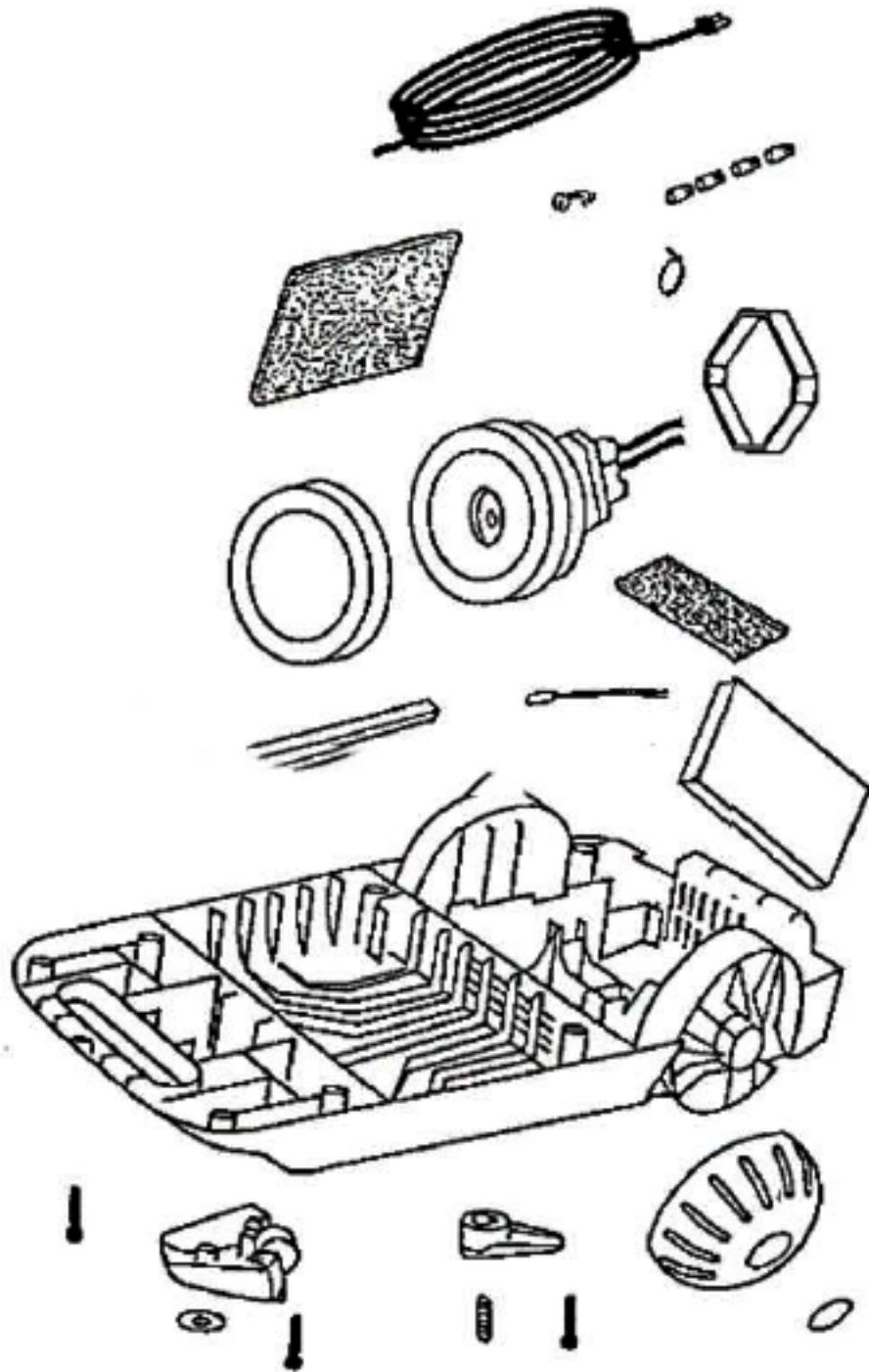
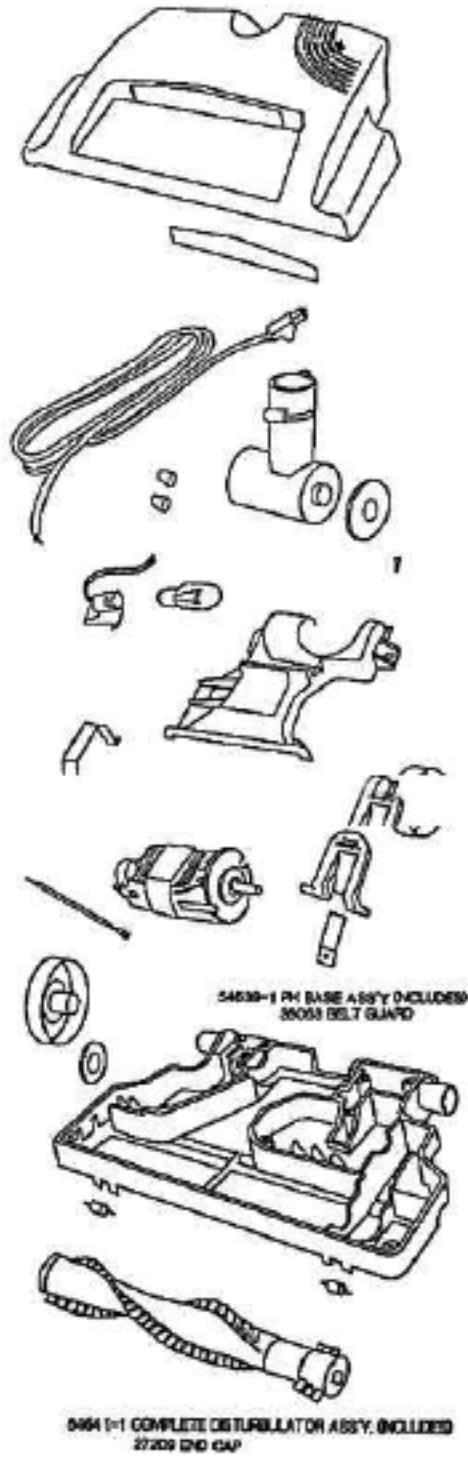


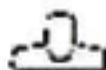
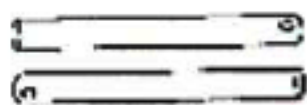
Ref#	Part	Description	Comments	Qty
1	14905-2	PLATE - HOSE		
2	26730-8	CONNECTOR & WIRE ASSEMBLY		
3	27380A-1	SEAL - SWIVEL HOSE		
4	34272-5	BLEEDER		
5	36341-2	SWITCH - PUSH		
6	37761-1	BAG INDICATOR ASSEMBLY		
7	38358-2	CORD & PLUG ASSY		
8	38368-1	CLIP - PLUG		
9	38386-1	BUTTON		
10	53238-1	SCREW PACKAGE		
11	53257-1	SCREWS - PACKAGE 10		
12	54545-1	HOSE ASSEMBLY - CTND		
13	54635-2	BAG COVER & GRAPHICS - PK		
14	54637-2	CONNECTOR ASSY - HOSE (CH		
15	55446	NUT - SWITCH		
16	55794	SPRING		
17	56750	CLIP - BAG INDICATOR		
18	57698	PAPER BAG PKG ASSY (STYLE		



Ref#	Part	Description	Comments	Qty
1	26715A	GASKET - MOTOR MOUNTING		
2	27329-1	CORD - LOW LEAD (17 GA)		
3	27366-1	WHEEL - REAR		
4	37403-1	CASTER		
5	37490-3	RELEASE - CORD		
6	37657	FILTER - MOTOR		
7	37710-1	FILTER - EXHAUST		
8	37966	SOUND FOAM		
9	38363-1	WHEEL - REAR		
10	53141	TIE - CABLE (PURCHASED)		
11	53197-1	SCREW PACKAGE		
12	53214-2	WIRE SPLICE 5		
13	53238-8	SCREW PACKAGE		
14	54219-1	BUSHING - STRAIN RELIEF (		
15	54551-1	MOTOR ASSY - CTND		
16	55463	GASKET - MOTOR STACK		
17	56088	SPRING		
18	56146	THERMOSTAT		
19	56326-1	TUBE - WIRE		
20	56376	WASHER		



Ref#	Part	Description	Comments	Qty
1	14940-1	PEDAL - FOOT		
2	27397-1	LENS - HOOD		
3	27398-1	AIR DUCT COVER ASSEMBLY		
4	35970-18	POLARIZED CORD & PLUG ASS		
5	37434-1	WHEEL - REAR		
6	38063	GUARD - BELT		
7	38377	STRAP - MOTOR		
8	38379-1	HANDLE SOCKET ASSEMBLY		
9	38484-1	HEADLIGHT SOCKET ASSEMBLY		
10	48815	LAMP - HEADLIGHT		
11	53214-2	WIRE SPLICE 5		
12	53238-1	SCREW PACKAGE		
13	53984-1	WHEEL & AXLE PACKAGE - FR		
14	54343-1	MOTOR ASSEMBLY - PACKAGED		
15	54639-1	POWERHEAD HOOD/BASE KIT		
16	54641-1	DISTURBULATOR ASSY - CART		
17	56180	FELT WASHER		
18	57421-1	WIRE & TERMINAL ASSEMBLY		
19	57992	GASKET - FELT		
20	58065	BELT - STYLE AR		
21	58169	SPRING		



Ref#	Part	Description	Comments	Qty
1	27354-3	ELBOW		
2	36879-5	STRAIGHT WAND ASSEMBLY		
3	54355-3	TOOL - CREVICE		
4	54505-1	DUSTING BRUSH - PACKAGED		
5	54506-1	UPHOLSTERY NOZZLE ASSEMBL		
6	54533-4	FLOOR & WALL BRUSH - PACK		