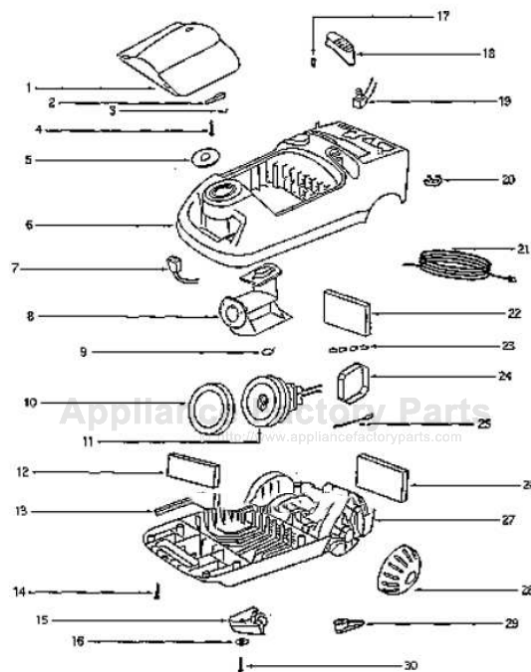


This Owner's Manual is provided and hosted by Appliance Factory Parts.



Eureka 6859A Owner's Manual

[Shop genuine replacement parts for Eureka 6859A](#)



NOT ILLUSTRATED

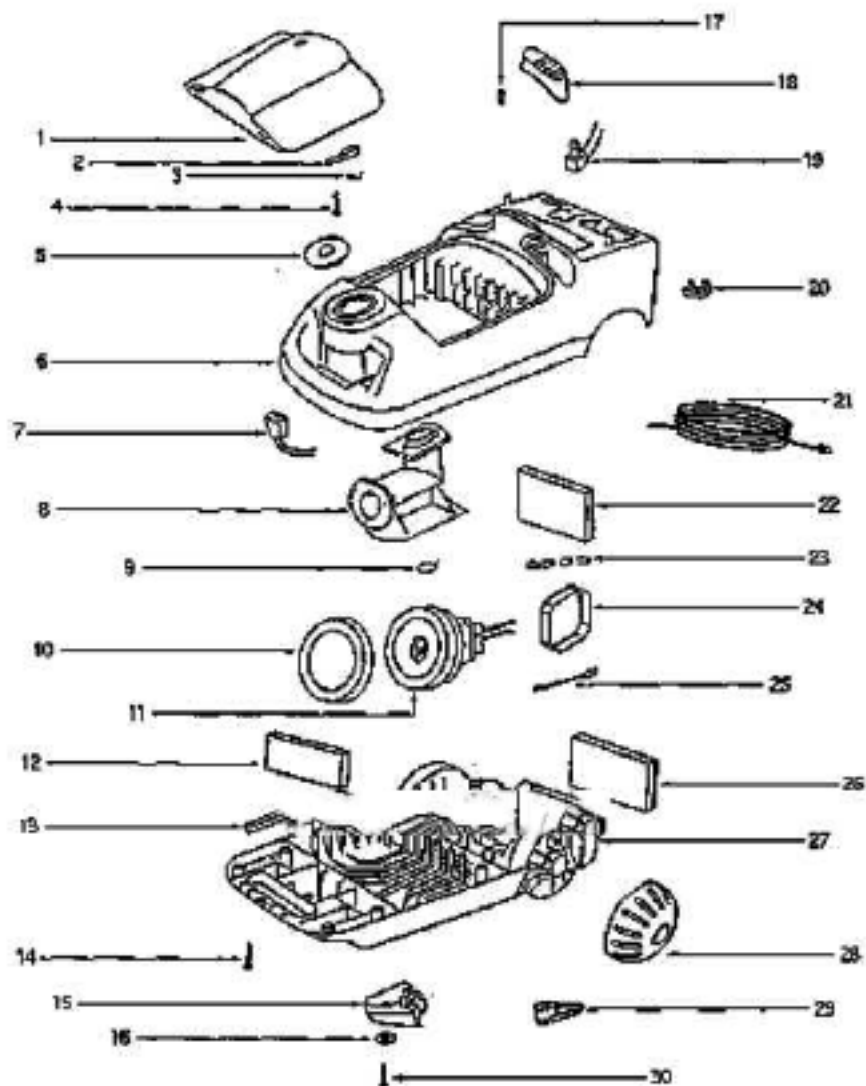
55446 SWITCH NUT
56088 SPRING
57691-3 WIRE & TERMINAL ASSY
59994 WIRING SHIELD
27369-1 GUIDE

[Find Your Eureka Vacuum Cleaner Parts - Select From 855 Models](#)

----- Manual continues below part list -----

Available Replacement Parts for Eureka 6859A

E-37657	FILTER, CANISTER, 1PK
155506	MOTOR
195-9488	14 INCH WIRE DOLLY - 4 SOCKET



NOT ILLUSTRATED

55446 SWITCH NUT

56086 SPRING

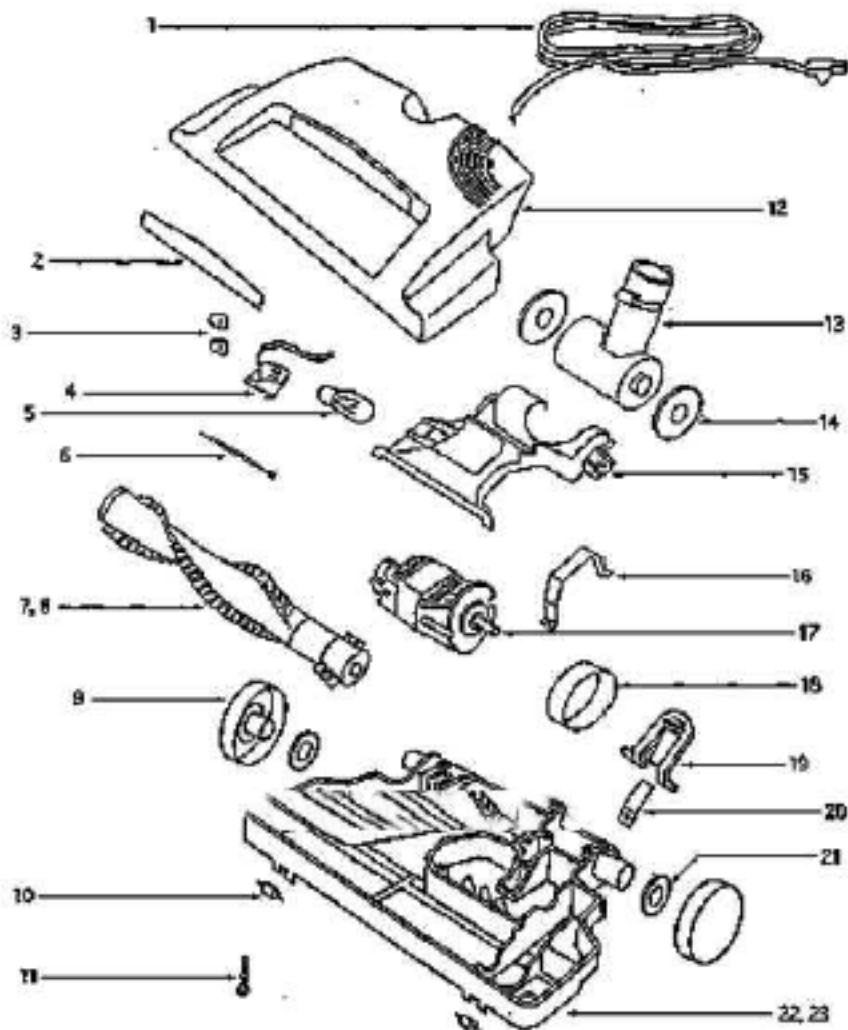
57691-3 WIRE & TERMINAL ASSY

59894 VMRING SHIELD

27369-1 GUIDE

PARTS1 - 8859A

Ref #	Part	Description	Comments	Qty
1	14905A-119N	PLATE - HOSE		
2	26730-8	CONNECTOR & WIRE ASSEMBLY		
3	27329-1	CORD - LOW LEAD (17 GA)		
4	27365-1	WHEEL - REAR		
5	27380B-119N	SEAL - SWIVEL HOSE		
6	28032	GASKET - MOTOR MOUNTING		
7	36341-2	SWITCH - PUSH		
8	37403-1	CASTER		
9	37490-3	RELEASE - CORD		
10	37657	FILTER - MOTOR		
11	37710-1	FILTER - EXHAUST		
12	37761A-1	BAG INDICATOR ASSEMBLY		
13	37966	SOUND FOAM		
14	38386-8	BUTTON		
15	46713-1	TIE - CABLE (PURCHASED)		
16	53197-1	SCREW PACKAGE		
17	53238-1	SCREW PACKAGE		
18	53238-8	SCREW PACKAGE		
19	54219-1	BUSHING - STRAIN RELIEF (
20	54635-17	BAG COVER & GRAPHICS - PK		
21	55446	NUT - SWITCH		
22	55463	GASKET - MOTOR STACK		
23	55794	SPRING		
24	56088	SPRING		
25	56326-1	TUBE - WIRE		
26	56376	WASHER		
27	56750-1	CLIP - BAG INDICATOR		
28	59717	THERMOSTAT & TERMINAL ASS		
29	59994	SHIELD - WIRING		
30	60192-1	WIRE SPLICE 5		
31	60261-4	MOTOR ASSEMBLY - PACKAGED		
32	60868-1	LOWER SHELL ASSY - PACKAG		
33	60869-1	UPPER SHELL ASSY - PACKAG		



54575-22 POWERHEAD ASSY COMPLETE

22. 54639-2 BASE ASSY

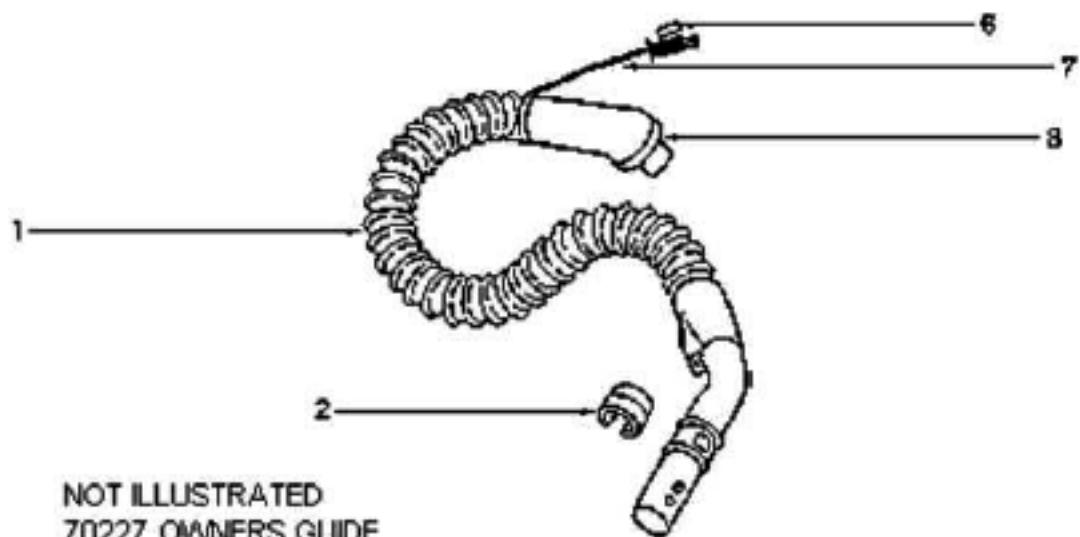
- | | |
|-------------------------------|----------------------|
| 7. 61092-1 DISTURBULATOR ASSY | 37434-2 REAR WHEEL |
| 27759 END CAP | 53984-1 WHEEL & AXLE |
| | 56180 FELT WASHER |
| | 38063 BELT GUARD |

12. 54672-17 HOOD ASSY

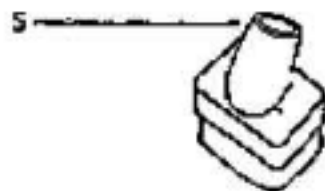
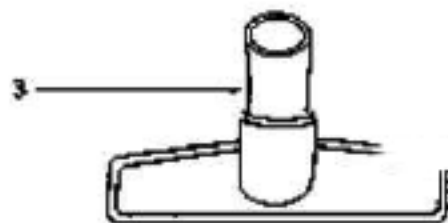
- | |
|----------------------|
| 37434-2 REAR WHEEL |
| 53984-1 WHEEL & AXLE |
| 56180 FELT WASHER |
| 38063 BELT GUARD |

PARTS2 - 8859A

Ref #	Part	Description	Comments	Qty
1	14940-1	PEDAL - FOOT		
2	27397-1	LENS - HOOD		
3	27398-1	AIR DUCT COVER ASSEMBLY		
4	27759	CAP - DISTURBULATOR		
5	35970-1B	POLARIZED CORD & PLUG ASS		
6	37434-2	WHEEL - REAR		
7	38063	GUARD - BELT		
8	38377	STRAP - MOTOR		
9	38379-1	HANDLE SOCKET ASSEMBLY		
10	38484-1	HEADLIGHT SOCKET ASSEMBLY		
11	53238-8	SCREW PACKAGE		
12	53984-1	WHEEL & AXLE PACKAGE - FR		
13	54343-1	MOTOR ASSEMBLY - PACKAGED		
14	54575-22	POWER HEAD ASSEMBLY - CAR		
15	54639-2	POWERHEAD HOOD/BASE KIT		
16	54672-17	HOOD & GRAPHICS ASSY - PK		
17	56180	FELT WASHER		
18	57421-2	WIRE & TERMINAL ASSEMBLY		
19	57983	GASKET - FELT		
20	58065	BELT PACKAGE ASSY - STYLE		
21	59045	HEADLIGHT		
22	60192-1	WIRE SPLICE 5		
23	61092-1	DISTURBULATOR ASSY - CAR		



NOT ILLUSTRATED
70227 OWNERS GUIDE
38357-1 CONNECTOR RING



ACCESSORIES - 8859A

Ref #	Part	Description	Comments	Qty
1	26708-119N	TOOL - CREVICE		
2	28303-1	FLOOR & WALL BRUSH ASSEMB		
3	34272-5	BLEEDER		
4	36879-5	STRAIGHT WAND ASSEMBLY		
5	38284-3	UPHOLSTERY NOZZLE ASSEMBL		
6	38357-1	RING - CONNECTOR		
7	38358-2	CORD & PLUG ASSY		
8	38368-1	CLIP - PLUG		
9	54505-3	DUSTING BRUSH - PACKAGED		
10	54545-1	HOSE ASSEMBLY - CTND		
11	54655-2	CONNECTOR ASSY - HOSE (CR		
12	57698	PAPER BAG PKG ASSY (STYLE		
13	70227	OWNERS GUIDE		