

EUREKA Original & Replacement

WORLDVAC CANISTER

Model 6865A Shown

Figure A

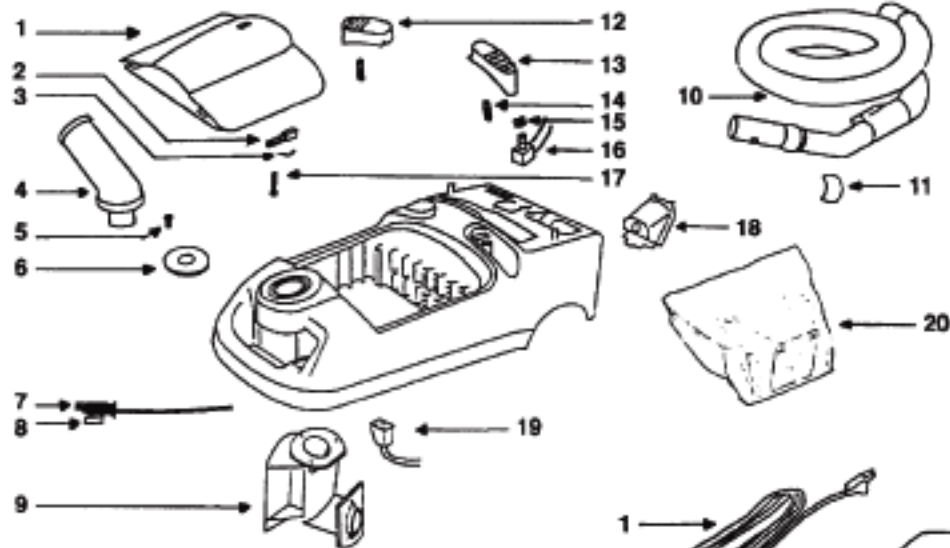


Figure C

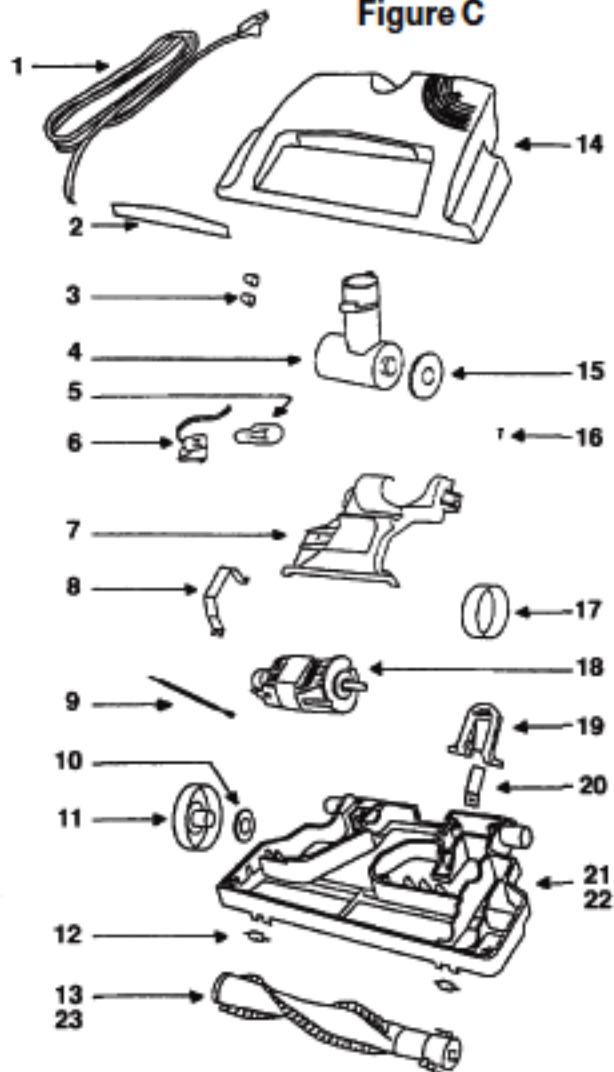
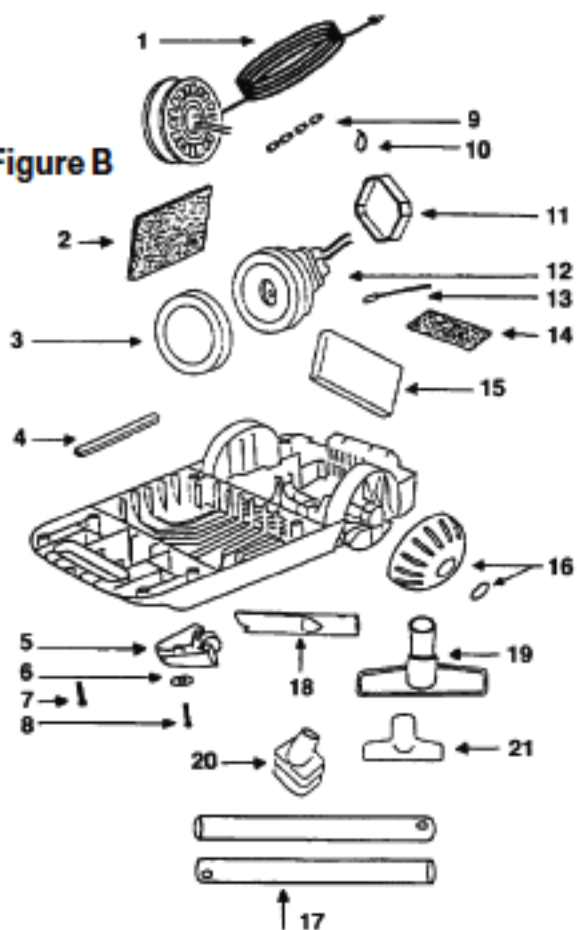


Figure B



Original & Replacement **EUREKA**

WORLDVAC CANISTER
Model 6865A Shown

Figure A

KEY	PART NO.	DESCRIPTION
1	E-54635-3	Bag Cover
2	E-37761-1	Bag Indicator Ass'y
3	E-56750	Clip
4	E-54655-2	Hose Connector Ass'y
5	E-53257-1	Screw
6	E-27380A-1	Swivel Hose Seal
7	E-38358-2	Cord & Plug
8	E-38368-1	Plug Clip
9	E-14905-2	Hose Plate
10	E-54545-1	Complete Hose Ass'y
11	E-34272-5	Bleeder
12	E-38386-2	Cord Reel Button
13	E-38386-2	Switch Button
14	E-55794	Spring
15	E-55446	Switch Nut
16	E-36341-2	Switch
17	E-53238-1	Screw
18	E-27367-1	Cord Guide
19	E-26730-8	Connector & Wire Ass'y
20	E-57698	Paper Bag Style "V" Filteraire 3 Pk
20	ER-1452	Paper Bag Style "V" Micron Filtration Envirocare 3 Pk

Figure B

1	E-14656-1	Cord Reel Ass'y
2	E-37657	Motor Filter
3	E-26715A	Motor Mounting Gasket
4	E-56326-1	Wire Tube
5	E-37403-1	Caster Ass'y
6	E-56376	Washer
7	E-53197-1	Screw
8	E-53238-8	Screw
9	SS-3270	Wire Nut
10	E-46713-1	Tie Fasteners
11	E-55463	Motor Stack Gasket
12	E-54404	Motor Ass'y
13	E-57720	Thermostat
14	E-37710-1	Exhaust Filter
15	E-37966	Sound Foam
16	E-38376-1	Wheel & Cap Ass'y
17	E-36879-5	Straight Wand
18	E-54780	Crevice Tool
19	E-54785	Floor & Wall Brush
20	E-54787	Dusting Brush
21	E-54782	Upholstery Nozzle

Figure C

KEY	PART NO.	DESCRIPTION
1	E-35970-18	Supply Cord
2	E-27397-1	Lens
3	E-53214-2	Wire Nut
4	E-38379-1	Handle Socket Ass'y
5	E-48815	Bulb
6	E-38484-1	Headlight Socket Ass'y
7	E-27398-1	Air Duct Cover Ass'y
8	E-38377	Motor Strap
9	E-57421-2	Wire & Terminal Ass'y
10	E-56180	Felt Washer
11	E-37434-2	Rear Wheel
12	E-53984-1	Wheel & Axle
13	E-54325-1	Brushroll Ass'y
13	ER-2015	Brushroll Ass'y
14	E-54672-4	Hood & Lens Ass'y
15	E-57992	Felt Gasket
16	E-53238-6	Screw
17	E-58065	Belt
18	E-54343-1	Motor Ass'y
19	E-14940-1	Foot Pedal
20	E-58169	Spring
21	E-27395-1	Powerhead Base Ass'y
22	E-38063	Belt Guard