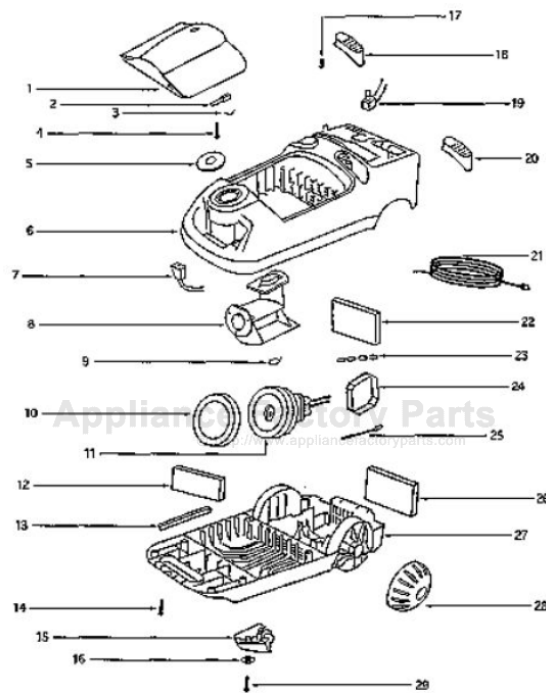


This Owner's Manual is provided and hosted by Appliance Factory Parts.



Eureka 6872A Owner's Manual

[Shop genuine replacement parts for Eureka 6872A](#)



27. 61117-1 LOWER SHELL ASSY
37403-1 CASTER ASSY
56376 WASHER
27366-1 REAR WHEEL

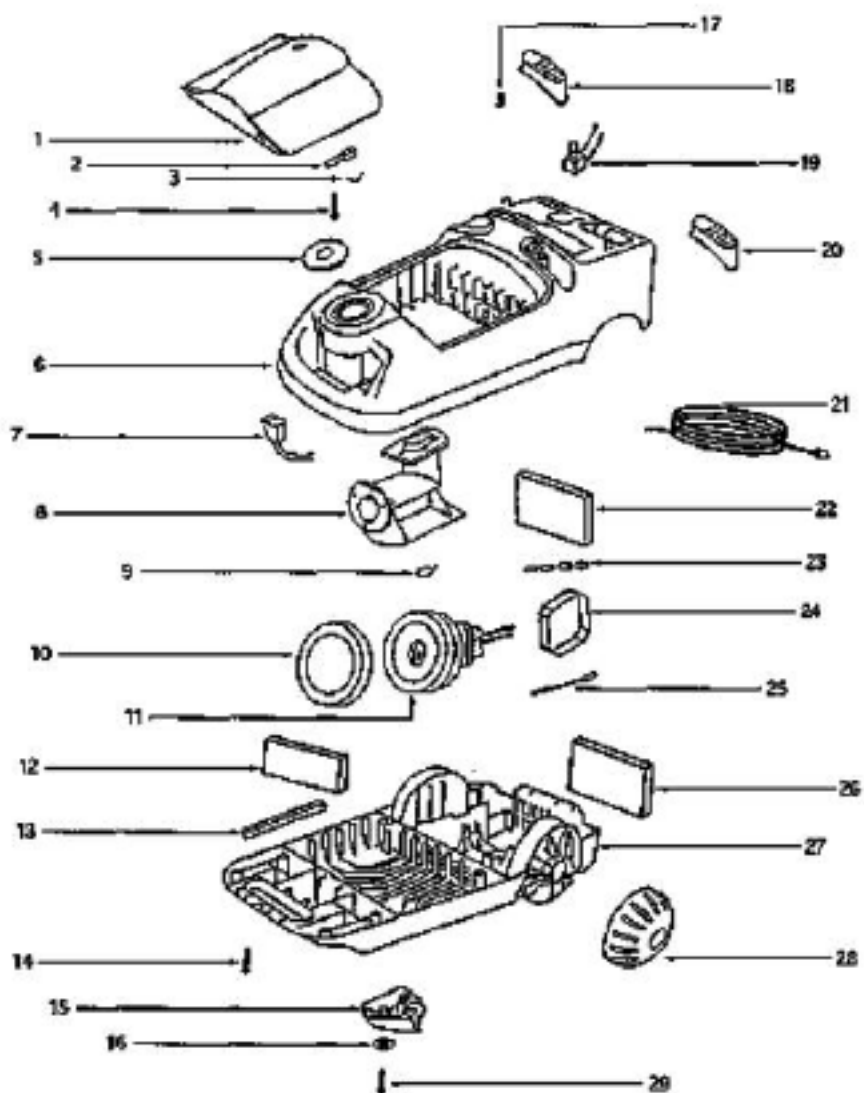
NOT ILLUSTRATED
57691-3 WIRE & TERMINAL ASSY
59994 WRING SHIELD
14656-7 CORD REAL ASSY
55446 SWTCH NUT

[Find Your Eureka Vacuum Cleaner Parts - Select From 855 Models](#)

----- Manual continues below part list -----

Available Replacement Parts for Eureka 6872A

E-37657	FILTER, CANISTER, 1PK
155506	MOTOR

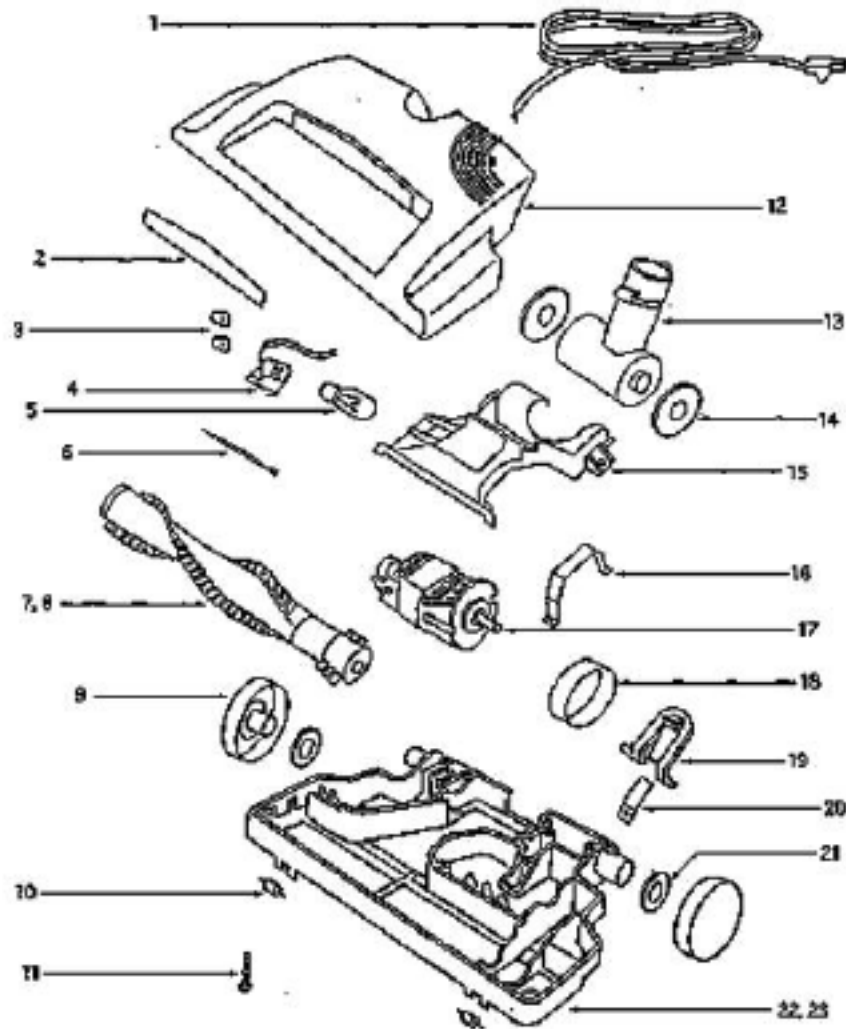


27. 61117-1 LOWER SHELL ASSY
 37403-1 CASTER ASSY
 56376 WASHER
 27366-1 REAR WHEEL

NOT ILLUSTRATED
 57691-3 WIRE & TERMINAL ASSY
 59994 WIRING SHIELD
 14656-7 CORD REEL ASSY
 55446 SWITCH NUT

PARTS1 - 6872A

Ref #	Part	Description	Comments	Qty
1	14856-7	CORD REEL ASSEMBLY		
2	14905A-119N	PLATE - HOSE		
3	26730-8	CONNECTOR & WIRE ASSEMBLY		
4	27366-1	WHEEL - REAR		
5	27380B-119N	SEAL - SWIVEL HOSE		
6	28032	GASKET - MOTOR MOUNTING		
7	35771-20	SUPPLY CORD ASSEMBLY		
8	36341-2	SWITCH - PUSH		
9	37403-1	CASTER		
10	37657	FILTER - MOTOR		
11	37710-1	FILTER - EXHAUST		
12	37761A-1	BAG INDICATOR ASSEMBLY		
13	37966	SOUND FOAM		
14	38386-8	BUTTON		
15	38387-8	BUTTON		
16	46713-1	TIE - CABLE (PURCHASED)		
17	53197-1	SCREW PACKAGE		
18	53238-1	SCREW PACKAGE		
19	53238-8	SCREW PACKAGE		
20	54635-18	BAG COVER & GRAPHICS - PK		
21	55446	NUT - SWITCH		
22	55463	GASKET - MOTOR STACK		
23	55794	SPRING		
24	56326-1	WIRE TUBE (NLA)		
25	56376	WASHER		
26	56750-1	CLIP - BAG INDICATOR		
27	59717	THERMOSTAT & TERMINAL ASSY.		
28	59994	SHIELD - WIRING		
29	60192-1	WIRE SPLICE 5		
30	60261-4	MOTOR ASSEMBLY - PACKAGED		
31	60869-7	UPPER SHELL ASSY - PACKAG		
32	61117-1	LOWER SHELL ASSEMBLY - PK		



54575-23 POWERHEAD ASSY COMPLETE

22. 54639-2 BASE ASSY

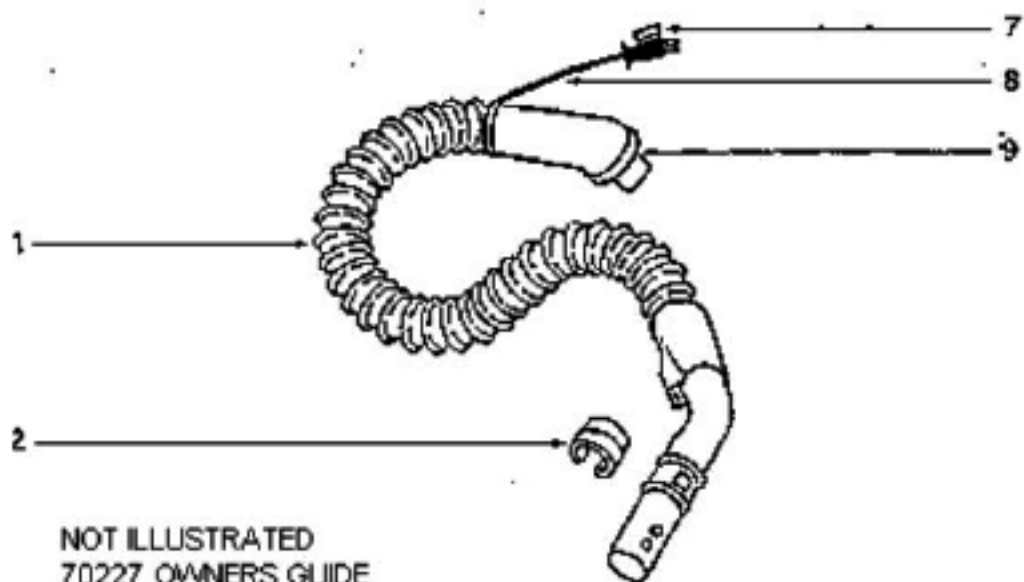
7. 61092-1 DISTURBULATOR ASSY
27759 END CAP

37434-2 REAR WHEEL
53984-1 WHEEL & AXLE
57993 FELT GASKET
56180 FELT WASHER
38083 BELT GUARD

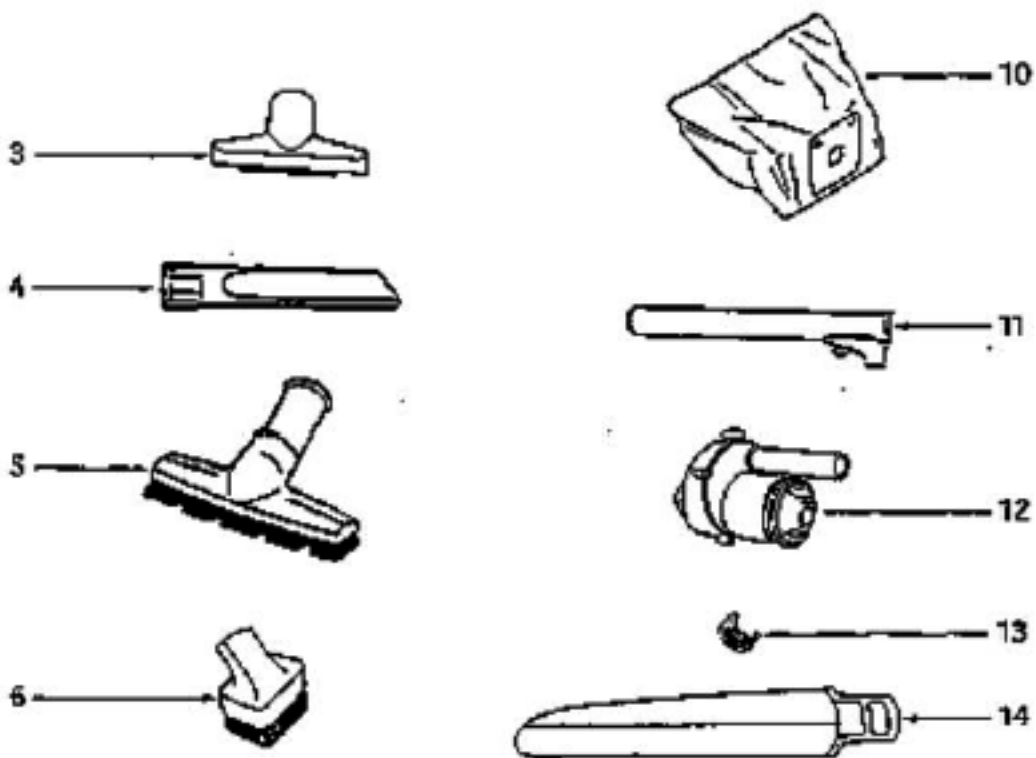
NOT ILLUSTRATED
39316 LIGHT SHIELD

PARTS2 - 6872A

Ref #	Part	Description	Comments	Qty
1	14940-1	PEDAL - FOOT		
2	27397-1	LENS - HOOD		
3	27398-1	AIR DUCT COVER ASSEMBLY		
4	27759	CAP - DISTURBULATOR		
5	35970-18	POLARIZED CORD & PLUG ASS		
6	37434-2	WHEEL - REAR		
7	38063	GUARD - BELT		
8	38377	STRAP - MOTOR		
9	38379-1	HANDLE SOCKET ASSEMBLY		
10	38484-1	SOCKET-HEADLIGHT		
11	53238-8	SCREW PACKAGE		
12	53984-1	WHEEL & AXLE PACKAGE - FR		
13	54343-1	PH MOTOR ASSY (155506)		
14	54575-23	POWER HEAD ASSEMBLY - CAR		
15	54639-2	POWERHEAD HOOD/BASE KIT		
16	54672-18	HOOD & GRAPHICS ASSY - PK		
17	56180	FELT WASHER		
18	57421-2	WIRE & TERM ASY (NLA)		
19	57993	GASKET - FELT		
20	58085	BELT PACKAGE ASSY - STYLE		
21	59045	HEADLIGHT		
22	60192-1	WIRE SPLICE 5		
23	61092-1	DISTURBULATOR ASSY - CART		



NOT ILLUSTRATED
70227 OWNERS GUIDE
38357-1 CONNECTOR RING



ACCESSORIES - 6872A

Ref #	Part	Description	Comments	Qty
1	26708-119N	TOOL - CREVICE		
2	28303-1	FLOOR & WALL BRUSH ASSEMB		
3	34272-5	BLEEDER		
4	36879-5	STRAIGHT WAND ASSEMBLY		
5	38284-3	UPHOLSTERY NOZZLE ASSEMBL		
6	38357-1	RING - CONNECTOR		
7	38358-2	CORD & PLUG ASSY		
8	38368-1	CLIP - PLUG		
9	39237	CYCLONIC UPPER HOUSING		
10	54505-3	DUSTING BRUSH - PACKAGED		
11	54545-1	HOSE ASSEMBLY - CTND		
12	54655-2	CONNECTOR ASSY - HOSE (CR		
13	57698	PAPER BAG PKG ASSY (STYLE		
14	59779	DIRT CUP - CYCLONIC		
15	59780A	WAND CLIP - CYCLONIC		
16	70227	OWNERS GUIDE		