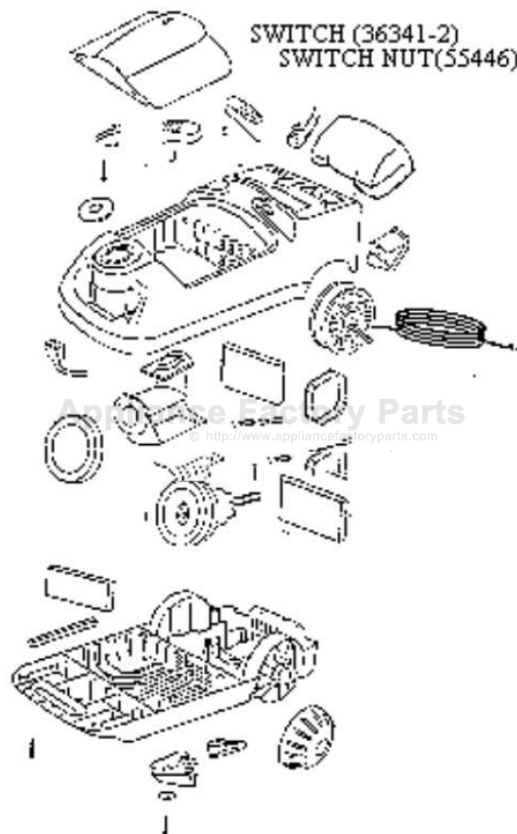


This Owner's Manual is provided and hosted by [Appliance Factory Parts](http://www.appliancefactoryparts.com).



Eureka 6877A Owner's Manual

[Shop genuine replacement parts for Eureka 6877A](#)

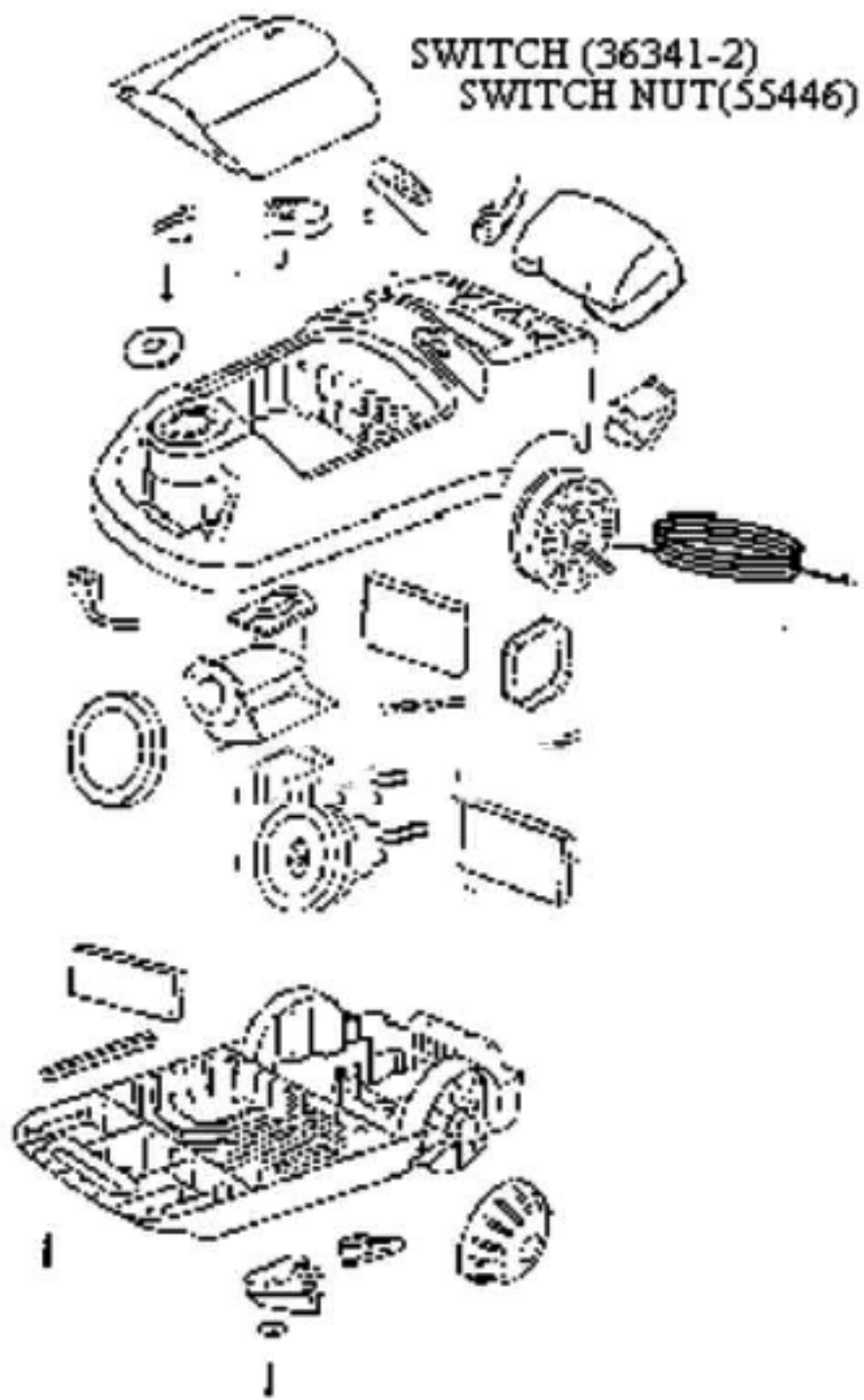


[Find Your Eureka Vacuum Cleaner Parts - Select From 855 Models](#)

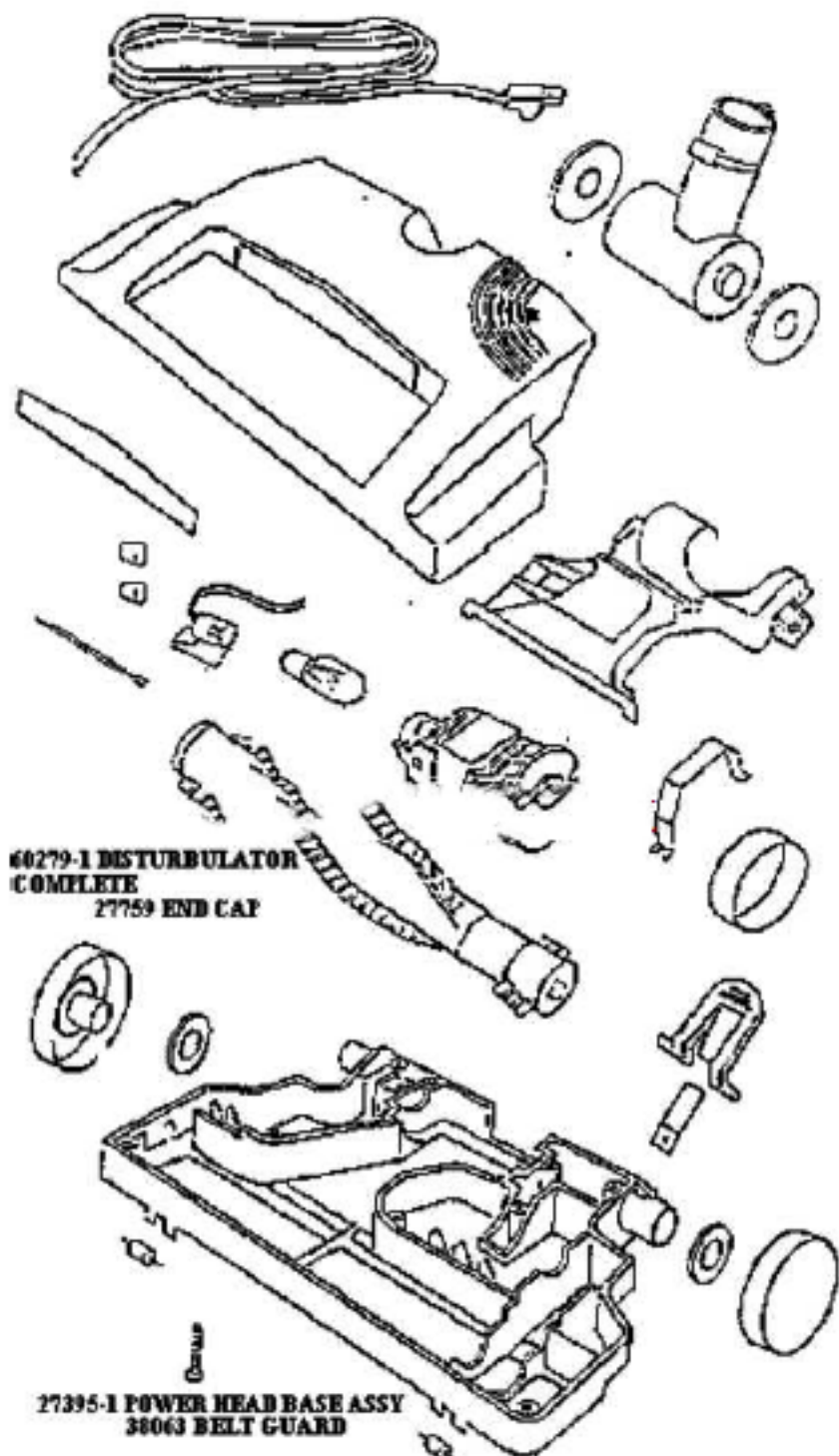
----- Manual continues below part list -----

Available Replacement Parts for Eureka 6877A

E-57802	BAG OEM EUREKA (3 PACK) U FILTERAIRE
ER-1035	Belt for Eureka Bravo 28118
E-37657	FILTER, CANISTER, 1PK
ER-2017	BRUSH ROLLER ROLL 54325-1
155506	MOTOR
HR-3500	HEADLIHT BULB

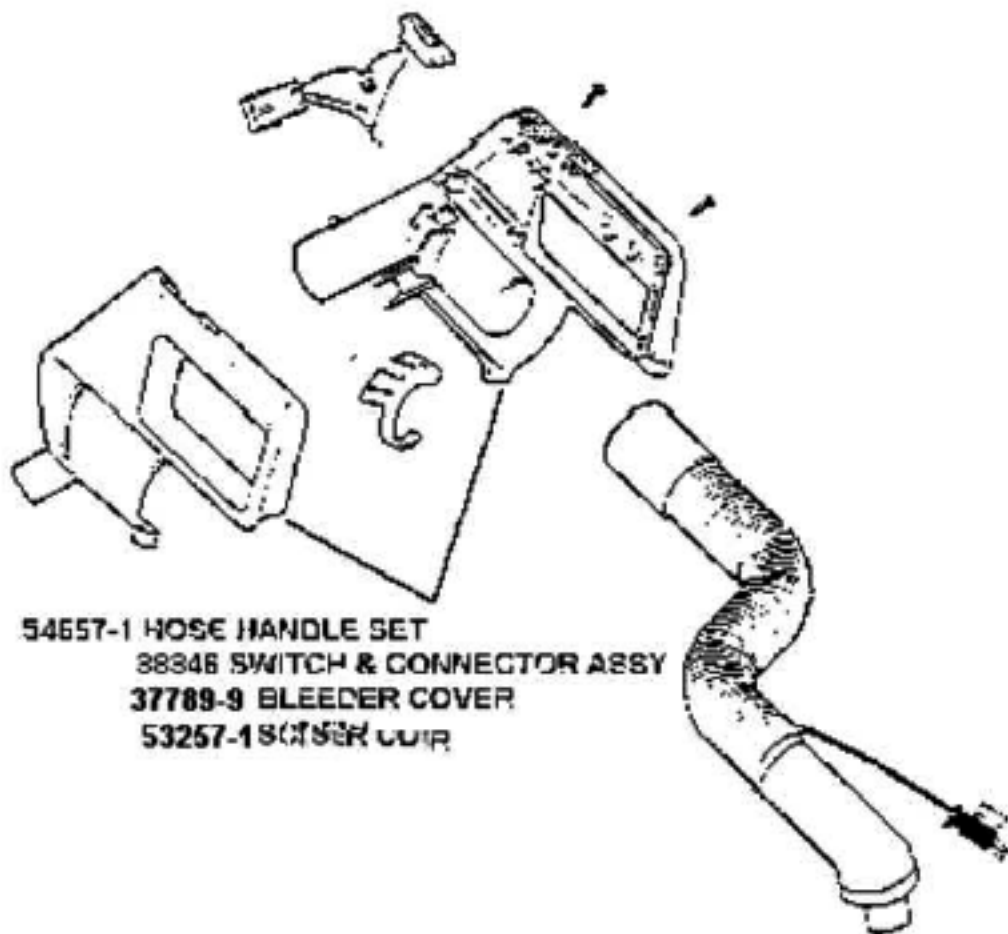


Ref #	Part	Description	Comments	Qty
1	14656-7	CORD REEL ASSEMBLY		
2	14905-306N	PLATE - HOSE		
3	26730-8	CONNECTOR & WIRE ASSEMBLY		
4	27367-1	GUIDE - CORD		
5	27380A-1	SEAL - SWIVEL HOSE		
6	28032	GASKET - MOTOR MOUNTING		
7	36341-2	SWITCH - PUSH		
8	37403-1	CASTER		
9	37657	FILTER - MOTOR		
10	37710-1	FILTER - EXHAUST		
11	37761-1	BAG INDICATOR ASSEMBLY		
12	37966	SOUND FOAM		
13	38376-1	WHEEL - REAR		
14	38387-7	BUTTON		
15	46713-1	TIE - CABLE		
16	53197-1	SCREW PACKAGE		
17	53238-1	SCREW PACKAGE		
18	53238-8	SCREW PACKAGE		
19	54635-6	BAG COVER & GRAPHICS - PK		
20	55446	NUT - SWITCH		
21	55463	GASKET - MOTOR STACK		
22	55794	SPRING		
23	56146	THERMOSTAT		
24	56326-1	TUBE - WIRE		
25	56376	WASHER		
26	56750-1	CLIP - BAG INDICATOR		
27	58764	TOOL PAK COVER ASSEMBLY		
28	60143	MOTOR ASSY - CTND		
29	60192-1	WIRE SPLICE 5		



Ref #	Part	Description	Comments	Qty
1	14940-1	PEDAL - FOOT		
2	27395-1	POWERHEAD HOOD/BASE KIT		
3	27397-1	LENS - HOOD		
4	27398-1	AIR DUCT COVER ASSEMBLY		
5	27759	CAP - DISTURBULATOR		
6	37434-2	WHEEL - REAR		
7	37751-3	CORD & PLUG ASSEMBLY		
8	38063	GUARD - BELT		
9	38377	STRAP - MOTOR		
10	38379-1	HANDLE SOCKET ASSEMBLY		
11	38484-1	HEADLIGHT SOCKET ASSEMBLY		
12	53238-8	SCREW PACKAGE		
13	53984-1	WHEEL & AXLE PACKAGE - FR		
14	54343-1	MOTOR ASSEMBLY - PACKAGED		
15	56180	FELT WASHER		
16	57421-2	WIRE & TERMINAL ASSEMBLY		
17	57992	GASKET - FELT		
18	58065	BELT - STYLE AR		
19	58169	SPRING		
20	59045	HEADLIGHT		
21	60192-1	WIRE SPLICE 5		
22	60279-1	DISTURBULATOR ASSY - CTND		

54668-1 HOSE ASSEMBLY COMPLETE



54657-1 HOSE HANDLE SET

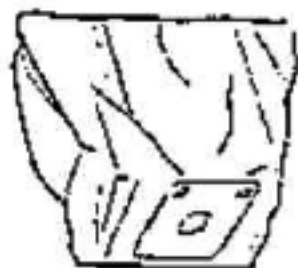
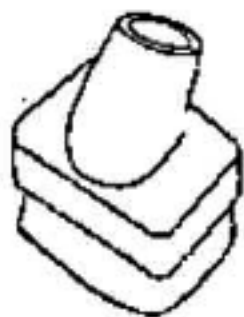
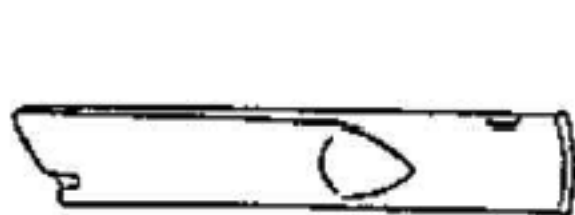
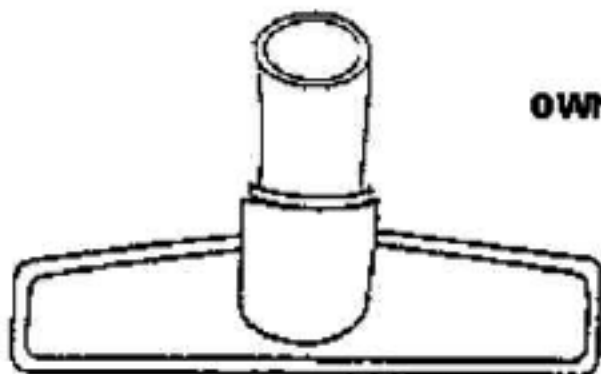
38348 SWITCH & CONNECTOR ASSY

37789-9 BLEEDER COVER

53257-1 SCISSOR WIRE

Ref #	Part	Description	Comments	Qty
1	37789-9	COVER - BLEEDER		
2	38346	SWITCH & CONNECTOR ASSEMB		
3	38357-1	RING - CONNECTOR		
4	38358-2	CORD & PLUG ASSY		
5	38368-1	CLIP - PLUG		
6	53257-1	SCREWS - PACKAGE 10		
7	54643-1	HOSE ASSEMBLY - CARTONED		
8	54655-2	CONNECTOR ASSY - HOSE (CR		
9	54657-1	HANDLE ASSY 2 WIRE (PACKA		
10	54668-1	HOSE ASSEMBLY - CARTONED		

OWNERS GUIDE 580740



Ref #	Part	Description	Comments	Qty
1	37738-2	UPPER WAND ASSEMBLY		
2	39040	STRAIGHT WAND ASSEMBLY		
3	39041	COUPLING ASSY - EASY CHAN		
4	54780	TOOL - CREVICE		
5	54782	UPHOLSTERY NOZZLE ASSEMBL		
6	54785	FLOOR & WALL BRUSH - PACK		
7	54787	DUSTING BRUSH - PACKAGED		
8	57698	PAPER BAG - STYLE V FA		