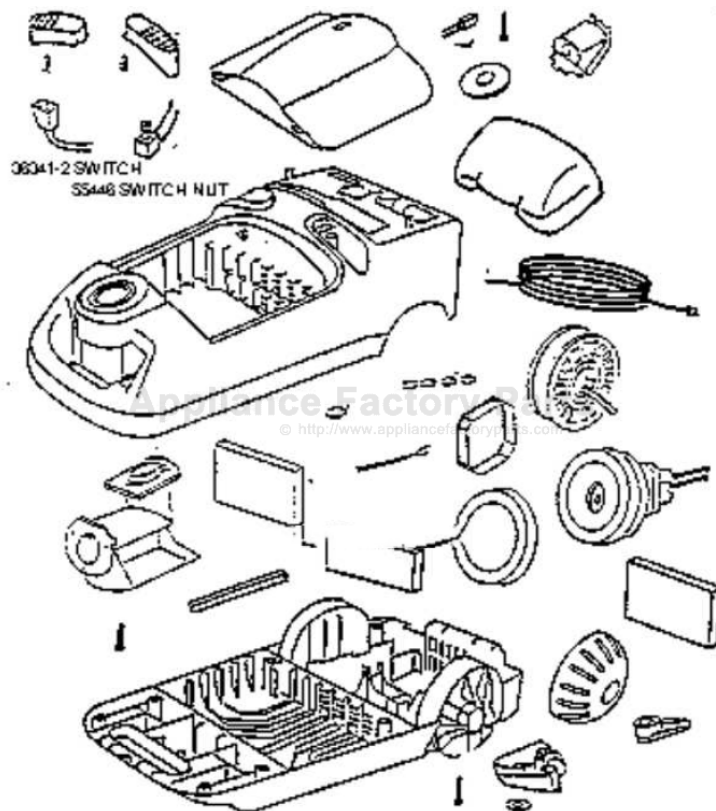


This Owner's Manual is provided and hosted by [Appliance Factory Parts](http://www.appliancefactoryparts.com).



Eureka 6877B Owner's Manual

[Shop genuine replacement parts for Eureka 6877B](#)

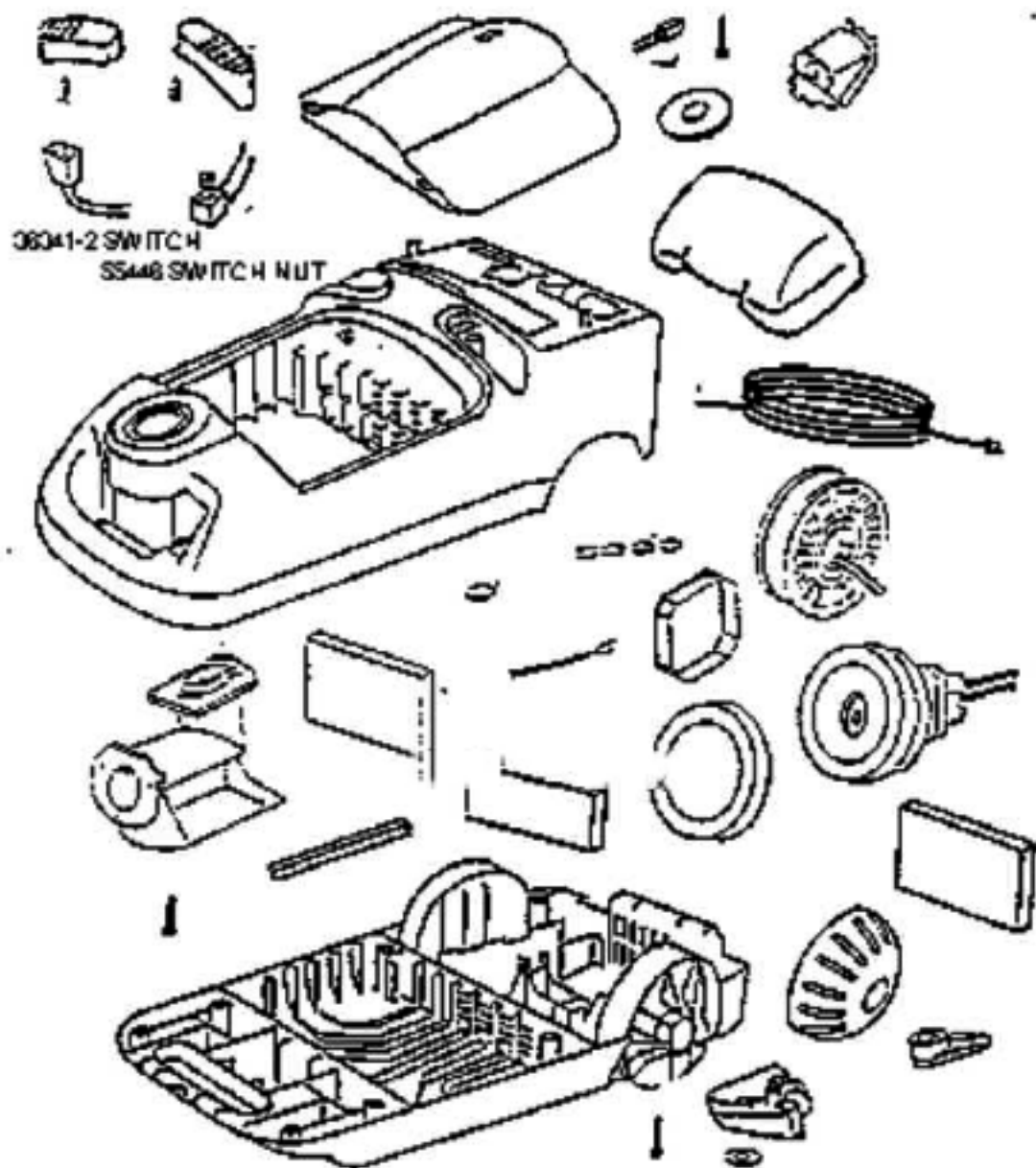


[Find Your Eureka Vacuum Cleaner Parts - Select From 855 Models](#)

----- Manual continues below part list -----

Available Replacement Parts for Eureka 6877B

E-37657	FILTER, CANISTER, 1PK
ER-2017	BRUSH ROLLER ROLL 54325-1
155506	MOTOR

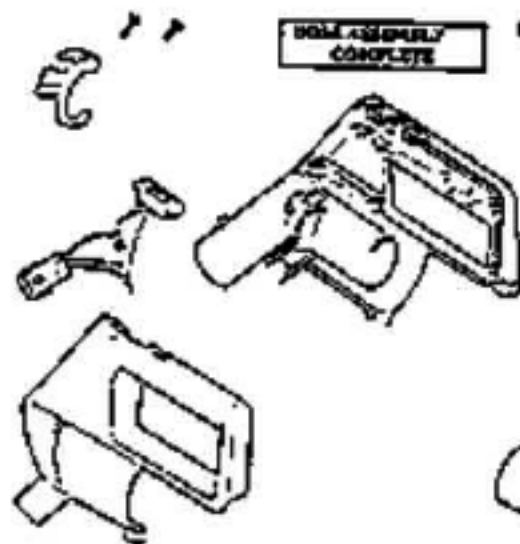


PARTS1 - 6877B

Ref #	Part	Description	Comments	Qty
1	14905A-119N	PLATE - HOSE		
2	26730-8	CONNECTOR & WIRE ASSEMBLY		
3	27367-1	GUIDE - CORD		
4	27380B-119N	SEAL - SWIVEL HOSE		
5	28032	GASKET - MOTOR MOUNTING		
6	36341-2	SWITCH - PUSH		
7	37403-1	CASTER		
8	37657	FILTER - MOTOR		
9	37710-1	FILTER - EXHAUST		
10	37761A-1	BAG INDICATOR ASSEMBLY		
11	37966	SOUND FOAM		
12	38376-1	WHEEL - REAR		
13	38387-7	BUTTON		
14	46713-1	TIE - CABLE (PURCHASED)		
15	53197-1	SCREW PACKAGE		
16	53238-1	SCREW PACKAGE		
17	53238-8	SCREW PACKAGE		
18	54635-6	BAG COVER & GRAPHICS - PK		
19	55446	NUT - SWITCH		
20	55463	GASKET - MOTOR STACK		
21	55794	SPRING		
22	56146	THERMOSTAT		
23	56326-1	WIRE TUBE		
24	56376	WASHER		
25	56750-1	CLIP - BAG INDICATOR		
26	58764	TOOL PAK COVER ASSEMBLY		
27	60143	MOTOR ASSY - CTND		
28	60192-1	WIRE SPLICE 5		

PARTS2 - 6877B

Ref #	Part	Description	Comments	Qty
1	14940-1	PEDAL - FOOT		
2	27395-1	POWERHEAD HOOD/BASE KIT		
3	27397-1	LENS - HOOD		
4	27398-1	AIR DUCT COVER ASSEMBLY		
5	27759	CAP - DISTURBULATOR		
6	37434-2	WHEEL - REAR		
7	37751-3	CORD & PLUG ASSY(short)		
8	38063	GUARD - BELT		
9	38377	STRAP - MOTOR		
10	38379-2	HANDLE SOCKET ASSEMBLY		
11	38484-1	HEADLIGHT SOCKET ASSEMBLY		
12	53238-8	SCREW PACKAGE		
13	53984-1	WHEEL & AXLE PACKAGE - FR		
14	54343-1	PH MOTOR ASSY (155506)		
15	54672-7	POWERHEAD HOOD/BASE KIT		
16	56180	FELT WASHER		
17	57421-2	WIRE & TERM ASY		
18	57992	GASKET - FELT		
19	58065	BELT PACKAGE ASSY - STYLE		
20	58169	SPRING		
21	59045	HEADLIGHT		
22	60192-1	WIRE SPLICE 5		
23	60279-1	DISTURBULATOR ASSY - CTND		



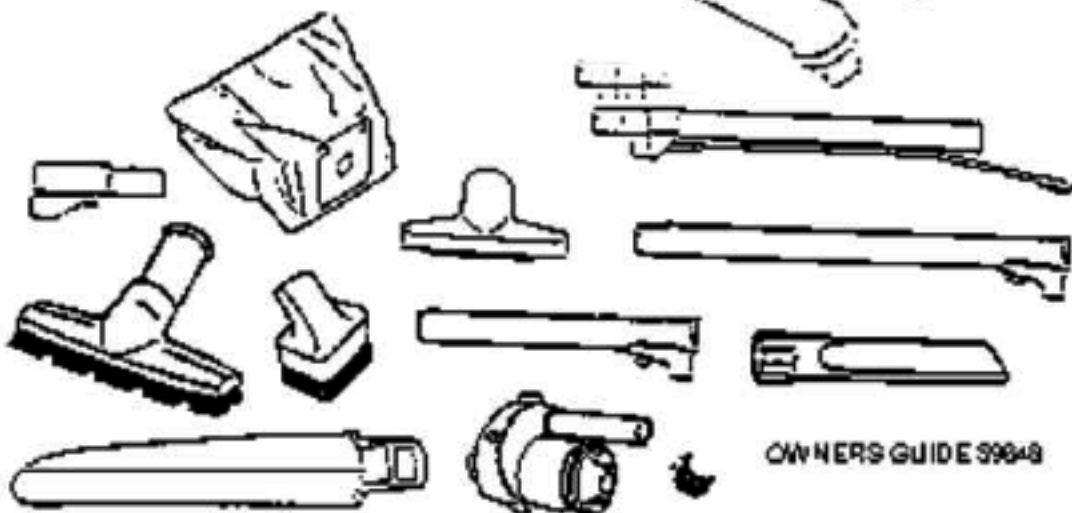
SOLE ASSEMBLY COMPLETE

- 80791-1 HOSE ASSY COMPLETE
- 80852-1 HOSE HANDLE SET
- 38048-1 SWITCH & CONNECTOR ASSY
- 38914-308N BLEEDER COVER
- S3257-1 SCREW
- 80795-1 HOSE AND COUPLING ASSY
- 38059-2 CORD & PLUG
- 38069-1 PLUG CLIP
- S4655-2 HOSE CONNECTOR ASSY
- 38057-1 CONNECTOR RING

- 80852-1 HOSE HANDLE SET
- 38048-1 SWITCH & CONNECTOR ASSY
- 38914-308N BLEEDER COVER
- S3257-1 SCREW



S4655-2 HOSE CONNECTOR ASSY
38057-1 CONNECTOR RING



OWNERS GUIDE 99848

ACCESSORIES - 8877B

Ref #	Part	Description	Comments	Qty
1	27238-3	TOOL - CREVICE		
2	37738-2	UPPER WAND ASSEMBLY		
3	37738-4	UPPER WAND ASSEMBLY		
4	38284-3	UPHOLSTERY NOZZLE ASSEMBL		
5	38346-1	SWITCH & CONNECTOR ASSEMB		
6	38357-1	RING - CONNECTOR		
7	38358-2	CORD & PLUG ASSY		
8	38368-1	CLIP - PLUG		
9	38914-308N	COVER - BLEEDER		
10	39040A-1	STRAIGHT WAND ASSEMBLY		
11	39041	COUPLING ASSY - EASY CHAN		
12	39237	CYCLONIC UPPER HOUSING		
13	53257-1	SCREWS - PACKAGE 10		
14	54655-2	CONNECTOR ASSY - HOSE (CR		
15	54785	FLOOR & WALL BRUSH - PACK		
16	54787	DUSTING BRUSH - PACKAGED		
17	57698	PAPER BAG PKG ASSY (STYLE		
18	59779	DIRT CUP - CYCLONIC		
19	59780A	WAND CLIP - CYCLONIC		
20	60791-1	HOSE ASSEMBLY - CARTONED		
21	60795-1	HOSE ASSEMBLY - CARTONED		
22	60852-1	HANDLE ASSEMBLY - PACKAGE		