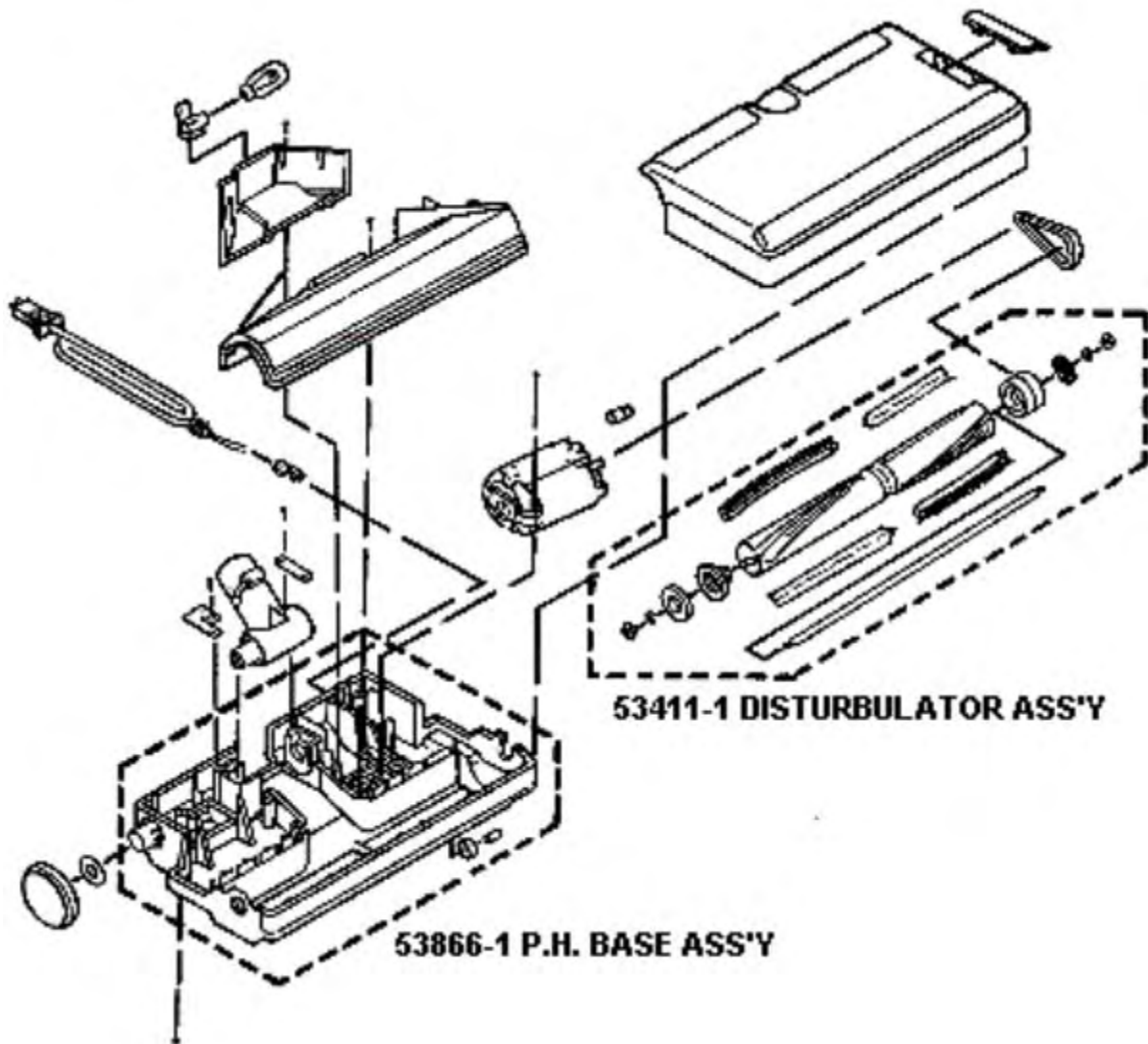


THE FOLLOWING PARTS ARE NOT ILLUSTRATED:

- 57759 R.P.L.
- 57400 OWNER'S MANUAL
- 37555 WIRING DIAGRAM
- 56608 WIRING DIAGRAM
- 55919-1 SH. GASKET
- 57471-2 GASKET
- 55968 FELT GASKET
- 55969 FELT GASKET
- 55970 FELT GASKET
- 55971 FELT GASKET
- 14171 BAG

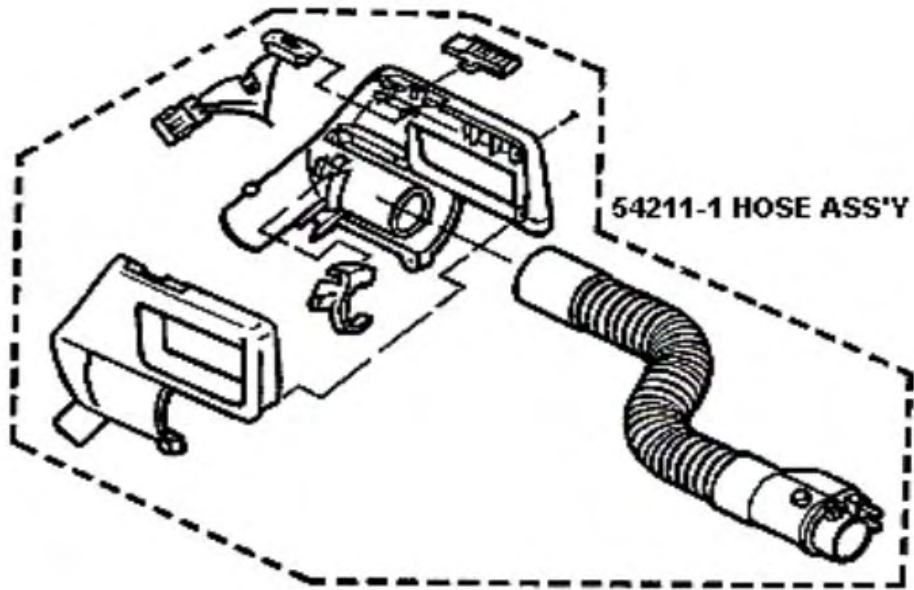
MAIN UNIT - 6885A - 860.22750

| Ref # | Part | Description | Comments | Qty |
|-------|----------|----------------------------|----------|-----|
| 1 | 26440-20 | WHEEL - REAR | | |
| 2 | 26651-4 | CONNECTOR ASSEMBLY | | |
| 3 | 26715 | GASKET - MOTOR MOUNTING | | |
| 4 | 27009-1 | BUTTON - LATCH | | |
| 5 | 36341-3 | SWITCH - PUSH | | |
| 6 | 37403-1 | CASTER | | |
| 7 | 37657 | FILTER - MOTOR | | |
| 8 | 37761-1 | BAG INDICATOR ASSEMBLY | | |
| 9 | 37966 | SOUND FOAM | | |
| 10 | 38071-1 | CLIP - FURNITURE GUARD (R | | |
| 11 | 38072-1 | CLIP - FURNITURE GUARD (L | | |
| 12 | 38083 | EXHAUST FILTER | | |
| 13 | 46713-1 | TIE - CABLE (PURCHASED) | | |
| 14 | 53197-1 | SCREW PACKAGE | | |
| 15 | 53214-2 | WIRE SPLICE 5 | | |
| 16 | 53238-1 | SCREW PKG (EW312-6T5Z | | |
| 17 | 53238-8 | SCREW PACKAGE | | |
| 18 | 54128-2 | BAG COVER & GRPHCS ASSY - | | |
| 19 | 54292 | MOTOR ASSY - CTND | | |
| 20 | 55446 | NUT - HEX | | |
| 21 | 55463 | GASKET - MOTOR STACK | | |
| 22 | 55794 | SPRING | | |
| 23 | 55919-1 | GASKET - SHELL | | |
| 24 | 55968 | GASKET - FELT | | |
| 25 | 55969 | GASKET - FELT | | |
| 26 | 55970 | GASKET - FELT | | |
| 27 | 55971 | GASKET - FELT | | |
| 28 | 56326-1 | WIRE TUBE (NLA) | | |
| 29 | 56376 | WASHER | | |
| 30 | 56750 | CLIP - BAG INDICATOR | | |
| 31 | 57471-2 | GASKET-SHELL (57471- (NLA) | | |
| 32 | 57720 | THERMOSTAT | | |



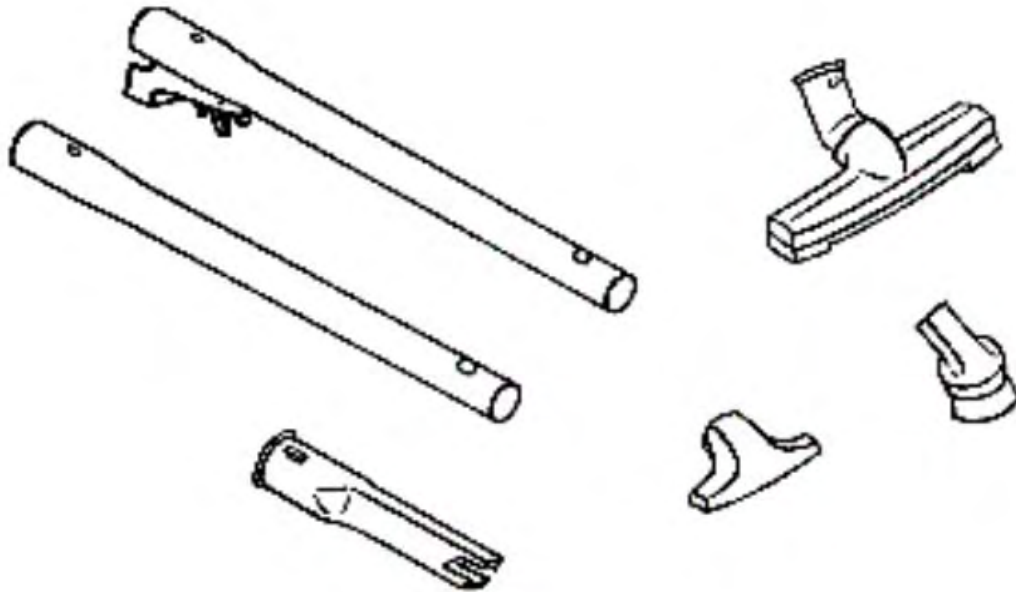
POWERHEAD - 6885A - 860.22750

| Ref # | Part | Description | Comments | Qty |
|-------|----------|---------------------------|----------|-----|
| 1 | 13650 | TUBE - DISTURBULATOR | | |
| 2 | 26159-7 | MOTOR ASSEMBLY - CARTONED | | |
| 3 | 26469-1 | WINDOW - BELT | | |
| 4 | 36943 | BELT - DRIVE | | |
| 5 | 37429 | DISTURBULATOR REPAIR KIT | | |
| 6 | 37434-8 | WHEEL - REAR | | |
| 7 | 37578 | DISTURBULATOR REPAIR KIT | | |
| 8 | 37579 | Discontinued, use 52995 | | |
| 9 | 37755-1 | CORD & SPRING ASSY | | |
| 10 | 40009A | LAMP - HEADLIGHT | | |
| 11 | 52988-2 | BRISTLE STRIP SET | | |
| 12 | 53158 | LOCK NUT PACKAGE | | |
| 13 | 53167 | WASHER - SHAFT PACKAGE | | |
| 14 | 53190-1 | BUSHING - STRAIN RELIEF-P | | |
| 15 | 53214-2 | WIRE SPLICE 5 | | |
| 16 | 53238-18 | SCREW PACKAGE | | |
| 17 | 53238-19 | SCREW PACKAGE | | |
| 18 | 53238-8 | SCREW PACKAGE | | |
| 19 | 53242 | DISTURBULATOR CAP | | |
| 20 | 53243 | CAP - DISTURBULATOR | | |
| 21 | 53411-1 | DISTURBULATOR ASSY - CRTN | | |
| 22 | 53866-1 | POWERHEAD BASE ASSY - PAC | | |
| 23 | 54016-14 | POWERHEAD HOOD ASSY - PAC | | |
| 24 | 55979 | SPRING STRAP | | |
| 25 | 55980 | STRAP | | |
| 26 | 56180 | FELT WASHER | | |
| 27 | 56232-1 | DISTURBULATOR COVER ASSEM | | |
| 28 | 56489 | AXLE | | |
| 29 | 56698-1 | AIR DUCT COVER ASSEMBLY | | |
| 30 | 56824 | WHEEL & SLEEVE ASSEMBLY | | |
| 31 | 56830-1 | HANDLE SOCKET & CORD KIT | | |



HOSE - 6885A - 860.22750

| Ref # | Part | Description | Comments | Qty |
|-------|---------|----------------------------|----------|-----|
| 1 | 37774-1 | SWITCH & CONNECTOR ASSY | | |
| 2 | 37789-8 | COVER - BLEEDER | | |
| 3 | 38124-8 | COVER & GRAPHICS (38124-9) | | |
| 4 | 53257-1 | SCREWS - PACKAGE 10 | | |
| 5 | 54009-5 | HANDLE ASSY 2 WIRE (PACKA | | |
| 6 | 54211-1 | HOSE ASSEMBLY - CARTONED | | |



| Ref # | Part | Description | Comments | Qty |
|-------|---------|----------------------------|----------|-----|
| 1 | 26708-1 | TOOL - CREVICE | | |
| 2 | 34691-7 | UPHOLSTERY NOZZLE ASSY - | | |
| 3 | 37737 | WAND - LOWER | | |
| 4 | 37738-1 | UPPER WAND ASSEMBLY | | |
| | 37774-1 | SWITCH & CONNECTOR ASSY | | |
| | 37789-8 | COVER - BLEEDER | | |
| | 38124-8 | COVER & GRAPHICS (38124-9) | | |
| 8 | 45947-7 | DUSTING BRUSH - PACKAGED | | |
| | 53257-1 | SCREWS - PACKAGE 10 | | |
| 10 | 53355-5 | FLOOR & WL BRUSH & ELBOW- | | |
| | 54009-5 | HANDLE ASSY 2 WIRE (PACKA | | |