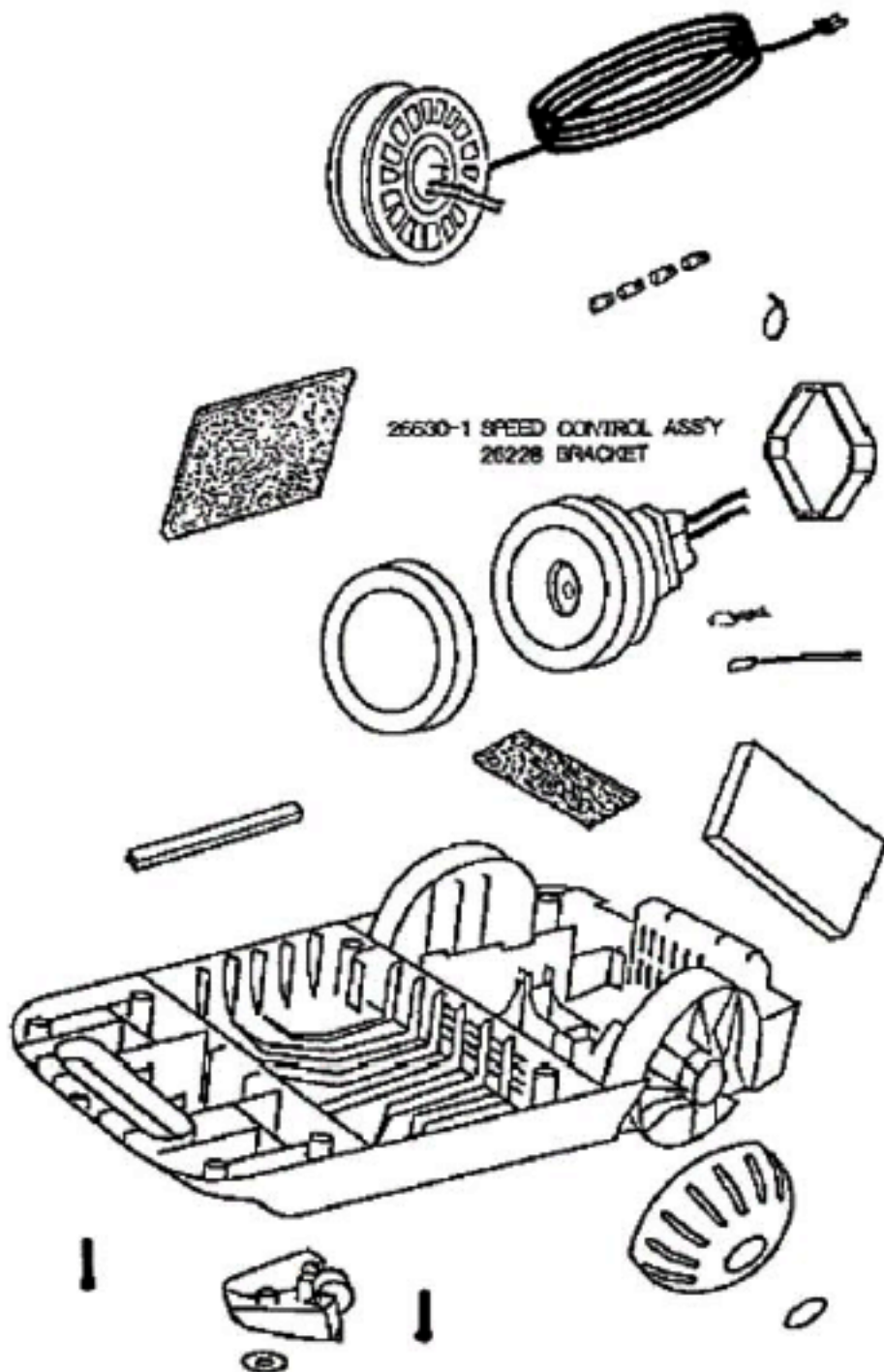


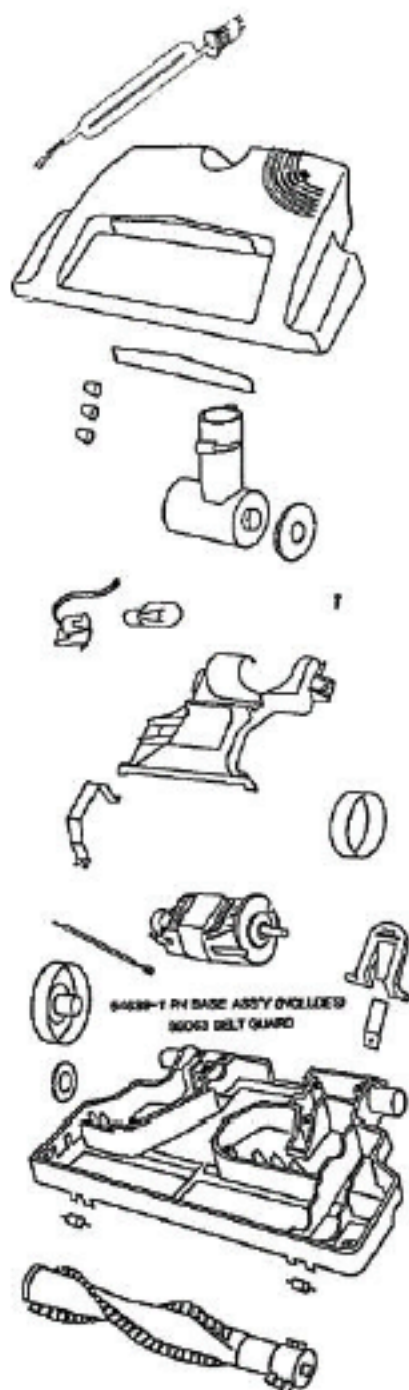
PARTS1 - 6890A

Ref #	Part	Description	Comments	Qty
1	14905-2	PLATE-HOSE		
2	26730-9	CONNECTOR & WIRE ASSEMBLY		
3	27367-1	GUIDE - CORD		
4	27380A-1	HOSE SEAL-SWIVEL		
5	36341-2	SWITCH - PUSH		
6	37761-1	BAG INDICATOR ASSEMBLY		
7	38358-1	CORD & PLUG ASSY		
8	38368-1	CLIP - PLUG		
9	38386-4	BUTTON		
10	38387-3	BUTTON		
11	53238-1	SCREW PACKAGE		
12	53257-1	SCREWS - PACKAGE 10		
13	53414-1	HANDLE ASSY 3 WIRE (PACKA		
14	54009-11	HANDLE ASSY 3 WIRE (PACKA		
15	54546-1	HOSE ASSY (NLA)		
16	54635-5	BAG COVER & GRAPHICS - PK		
17	54637-2	CONNECTOR ASSY - HOSE (CR		
18	54640-1	HOSE ASSEMBLY - CARTONED		
19	54642-1	TOOL PAK COVER ASSEMBLY		
20	55446	NUT - SWITCH		
21	55794	SPRING		
22	56750	CLIP - BAG INDICATOR		
23	57698	PAPER BAG PKG ASSY (STYLE		



PARTS2 - 6890A

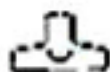
Ref #	Part	Description	Comments	Qty
1	14656-7	CORD REEL ASSEMBLY		
2	26630-1	SPEED CONTROL ASSEMBLY		
3	26715A	GASKET - MOTOR MOUNTING		
4	27366-1	WHEEL - REAR		
5	37403-1	CASTER		
6	37657	FILTER - MOTOR		
7	37710-1	FILTER - EXHAUST		
8	37966	Obsolete no substitutes		
9	38363-1	WHEEL - REAR		
10	53141	TIE - CABLE (PURCHASED)		
11	53197-1	SCREW PACKAGE		
12	53214-2	WIRE SPLICE 5		
13	53238-8	SCREW PACKAGE		
14	54404	MOTOR ASSY - CTND		
15	55463	GASKET - MOTOR STACK		
16	56326-1	WIRE TUBE		
17	56376	WASHER		
18	57720	THERMOSTAT		



64689-1 COMPLETE DEFIBRILATOR ASSY, INCLUDES
27206 END CAP (2)

PARTS3 - 6890A

Ref #	Part	Description	Comments	Qty
1	14940-1	PEDAL - FOOT		
2	27397-1	LENS - HOOD		
3	27398-1	AIR DUCT COVER ASSEMBLY		
4	37434-1	WHEEL - REAR		
5	37751-2	CORD & PLUG ASSEMBLY		
6	38063	GUARD - BELT		
7	38377	STRAP - MOTOR		
8	38379-1	HANDLE SOCKET ASSEMBLY		
9	38484-1	HEADLIGHT SOCKET ASSEMBLY		
10	48815	LAMP - HEADLIGHT		
11	53214-2	WIRE SPLICE 5		
12	53238-8	SCREW PACKAGE		
13	53984-1	WHEEL & AXLE PACKAGE - FR		
14	54343-1	PH MOTOR ASSY (155506)		
15	54639-1	POWERHEAD HOOD/BASE KIT		
16	54641-1	DISTURBULATOR ASSY - CART		
17	56180	FELT WASHER		
18	57421-2	WIRE & TERMASY		
19	57992	GASKET - FELT		
20	58065	BELT PACKAGE ASSY - STYLE		
21	58169	SPRING		



ACCESSORIES - 6890A

Ref #	Part	Description	Comments	Qty
1	27354-3	ELBOW		
2	36879-5	STRAIGHT WAND ASSEMBLY		
3	37738-2	UPPER WAND ASSEMBLY		
4	54355-3	TOOL - CREVICE		
5	54405-1	DISTURBULATOR ASSY - CART		
6	54506-1	UPHOLSTERY NOZZLE ASSEMBL		
7	54533-4	FLOOR & WALL BRUSH - PACK		