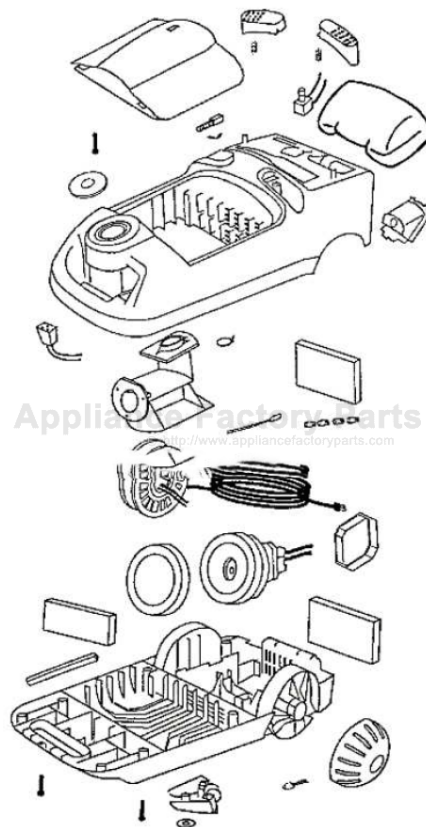


This Owner's Manual is provided and hosted by [Appliance Factory Parts](http://Appliance Factory Parts).



# Eureka 6891A Owner's Manual

[Shop genuine replacement parts for Eureka 6891A](#)

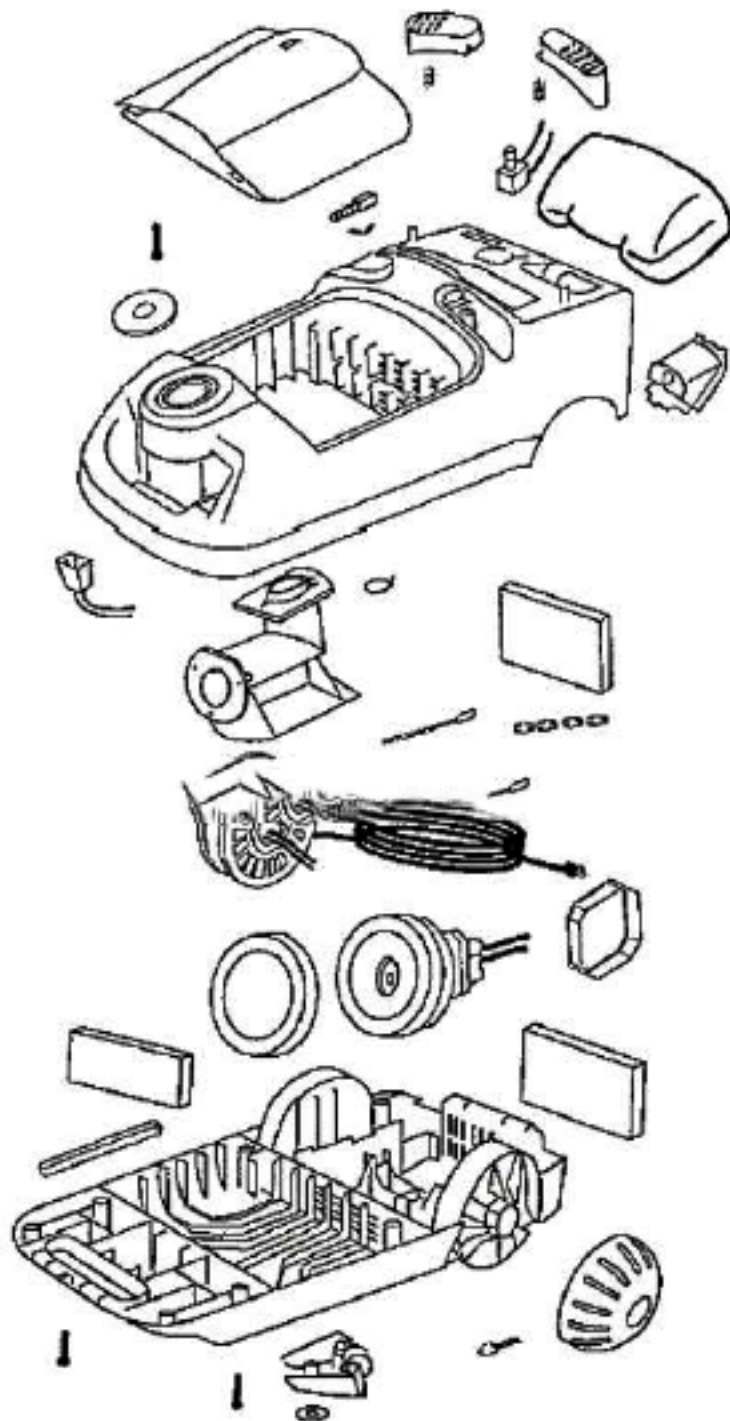


[Find Your Eureka Vacuum Cleaner Parts - Select From 855 Models](#)

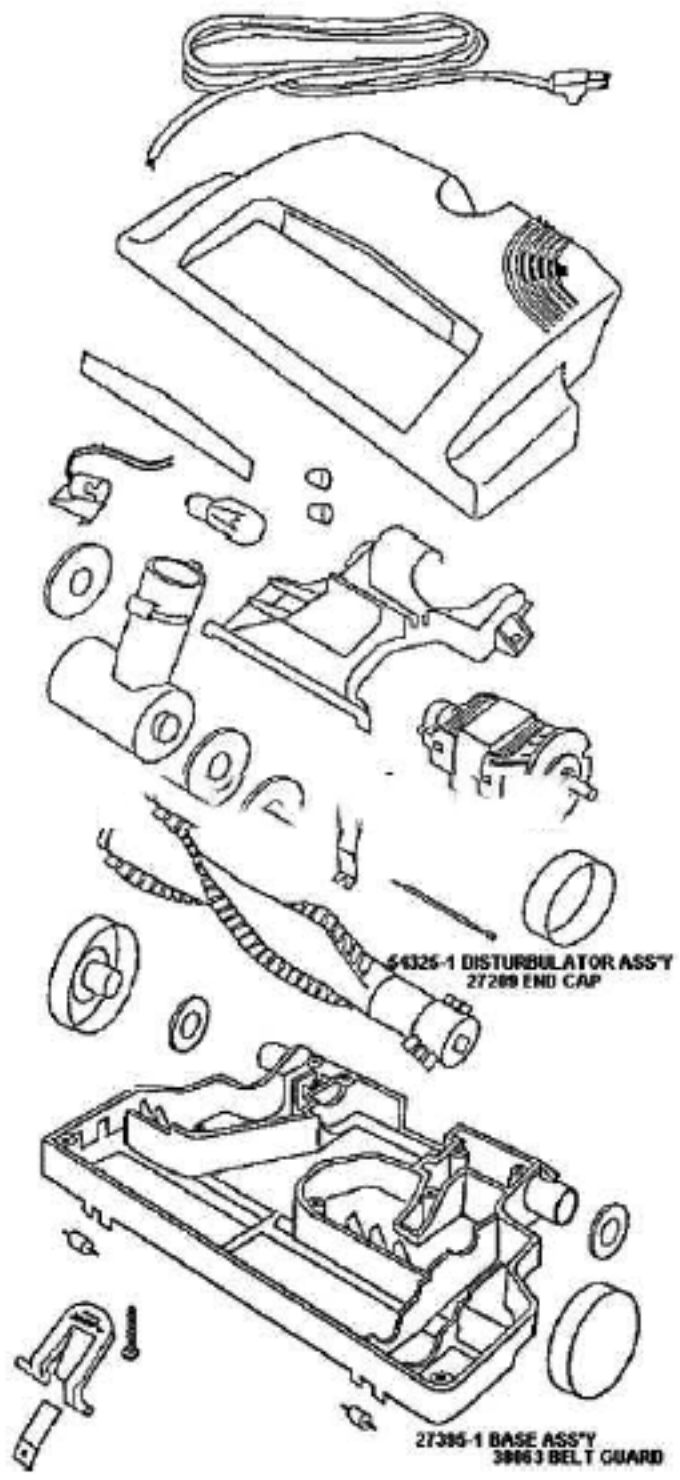
----- Manual continues below part list -----

## Available Replacement Parts for Eureka 6891A

<a href="#">E-37657</a>	FILTER, CANISTER, 1PK
<a href="#">ER-2017</a>	BRUSH ROLLER ROLL 54325-1
<a href="#">155506</a>	MOTOR

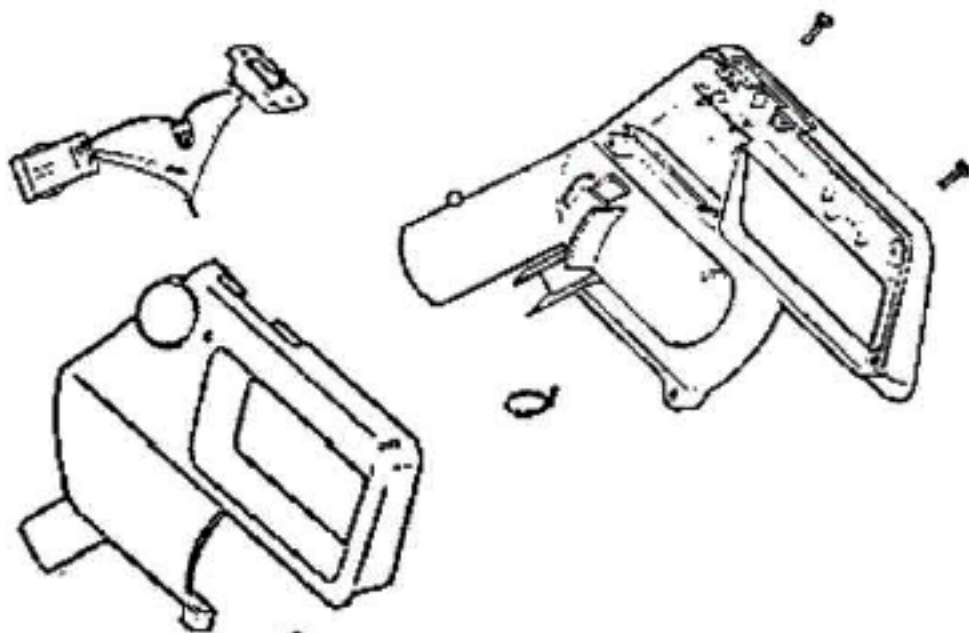


Ref #	Part	Description	Comments	Qty
1	14656-7	CORD REEL ASSEMBLY		
2	14905-5	PLATE - HOSE		
3	26630-1	SPEED CONTROL ASSEMBLY		
4	26715A	GASKET - MOTOR MOUNTING		
5	26730-9	CONNECTOR & WIRE ASSEMBLY		
6	27367-1	GUIDE - CORD		
7	27380A-1	SEAL - SWIVEL HOSE		
8	36341-2	SWITCH - PUSH		
9	37403-1	CASTER		
10	37657	FILTER - MOTOR		
11	37710-1	FILTER - EXHAUST		
12	37761-1	BAG INDICATOR ASSEMBLY		
13	37966	SOUND FOAM		
14	38376-1	WHEEL - REAR		
15	38386-4	BUTTON		
16	38387-3	BUTTON		
17	46713-1	TIE - CABLE (PURCHASED)		
18	53197-1	SCREW PACKAGE		
19	53214-2	WIRE SPLICE 5		
20	53238-1	SCREW PACKAGE		
21	53238-8	SCREW PACKAGE		
22	54551-1	MOTOR ASSY - CTND		
23	54635-6	BAG COVER & GRAPHICS - PK		
24	54642-1	TOOL PAK COVER ASSEMBLY		
25	55463	GASKET - MOTOR STACK		
26	55794	SPRING		
27	56146	THERMOSTAT		
28	56326-1	TUBE - WIRE		
29	56376	WASHER		
30	56750	CLIP - BAG INDICATOR		



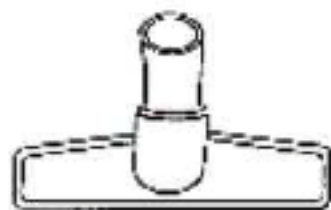
Ref #	Part	Description	Comments	Qty
1	14940-1	PEDAL - FOOT		
2	27395-1	POWERHEAD HOOD/BASE KIT		
3	27397-1	LENS - HOOD		
4	27398-1	AIR DUCT COVER ASSEMBLY		
5	37434-2	WHEEL - REAR		
6	37751-2	CORD & PLUG ASSEMBLY		
7	38063	GUARD - BELT		
8	38377	STRAP - MOTOR		
9	38379-1	HANDLE SOCKET ASSEMBLY		
10	38484-1	HEADLIGHT SOCKET ASSEMBLY		
11	48815	LAMP - HEADLIGHT		
12	53214-2	WIRE SPLICE 5		
13	53238-8	SCREW PACKAGE		
14	53984-1	WHEEL & AXLE PACKAGE - FR		
15	54325-1	DISTRIBUTOR ASSY - CAR		
16	54343-1	MOTOR ASSEMBLY - PACKAGED		
17	54672-4	POWERHEAD HOOD/BASE KIT		
18	56180	FELT WASHER		
19	57421-2	WIRE & TERMINAL ASSEMBLY		
20	57992	GASKET - FELT		
21	58065	BELT - STYLE AR		
22	58169	SPRING		

**54667-1 HOSE ASS'Y - COMPLETE**



- 54640-1 HOSE & COUPLING ASS'Y**
- 38358-1 CORD & PLUG ASS'Y**
- 38368-1 PLUG CLIP**
- 54637-2 HOSE CONNECTOR ASS'Y**

Ref #	Part	Description	Comments	Qty
1	27494-1	SWITCH & WIRE ASSEMBLY		
2	38358-1	CORD & PLUG ASSY		
3	38368-1	CLIP - PLUG		
4	46713-1	TIE - CABLE (PURCHASED)		
5	53257-1	SCREWS - PACKAGE 10		
6	54637-2	CONNECTOR ASSY - HOSE (CH		
7	54640-1	HOSE ASSEMBLY - CARTONED		
8	54656-1	HANDLE ASSY 3 WIRE (PACKA		
9	54667-1	HOSE ASSY - CTND		



Ref #	Part	Description	Comments	Qty
1	36879-5	STRAIGHT WAND ASSEMBLY		
2	37738-2	UPPER WAND ASSEMBLY		
3	54355-3	TOOL - CREVICE		
4	54505-1	DUSTING BRUSH - PACKAGED		
5	54506-1	UPHOLSTERY NOZZLE ASSEMBL		
6	54533-5	FLOOR & WALL BRUSH - PACK		
7	57698	PAPER BAG PKG ASSY (STYLE		