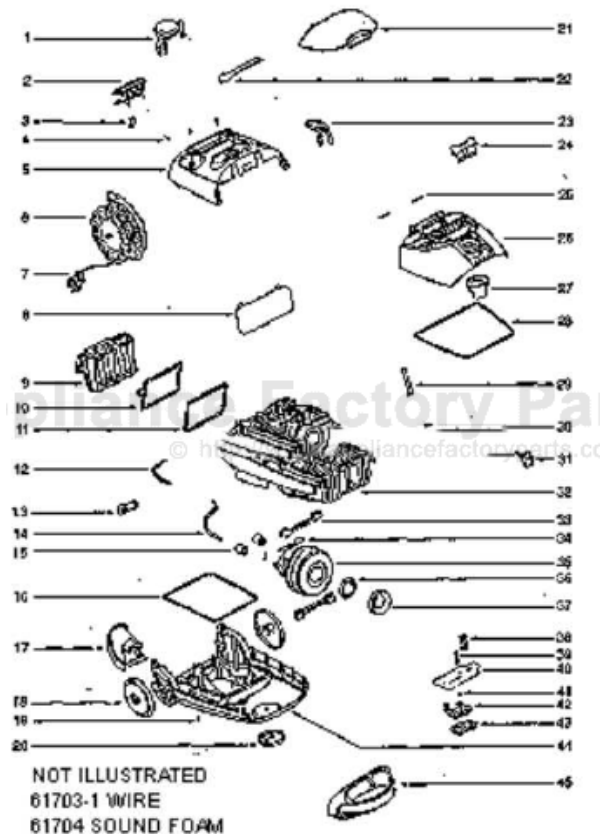


# Eureka 6982A Owner's Manual

[Shop genuine replacement parts for Eureka 6982A](#)



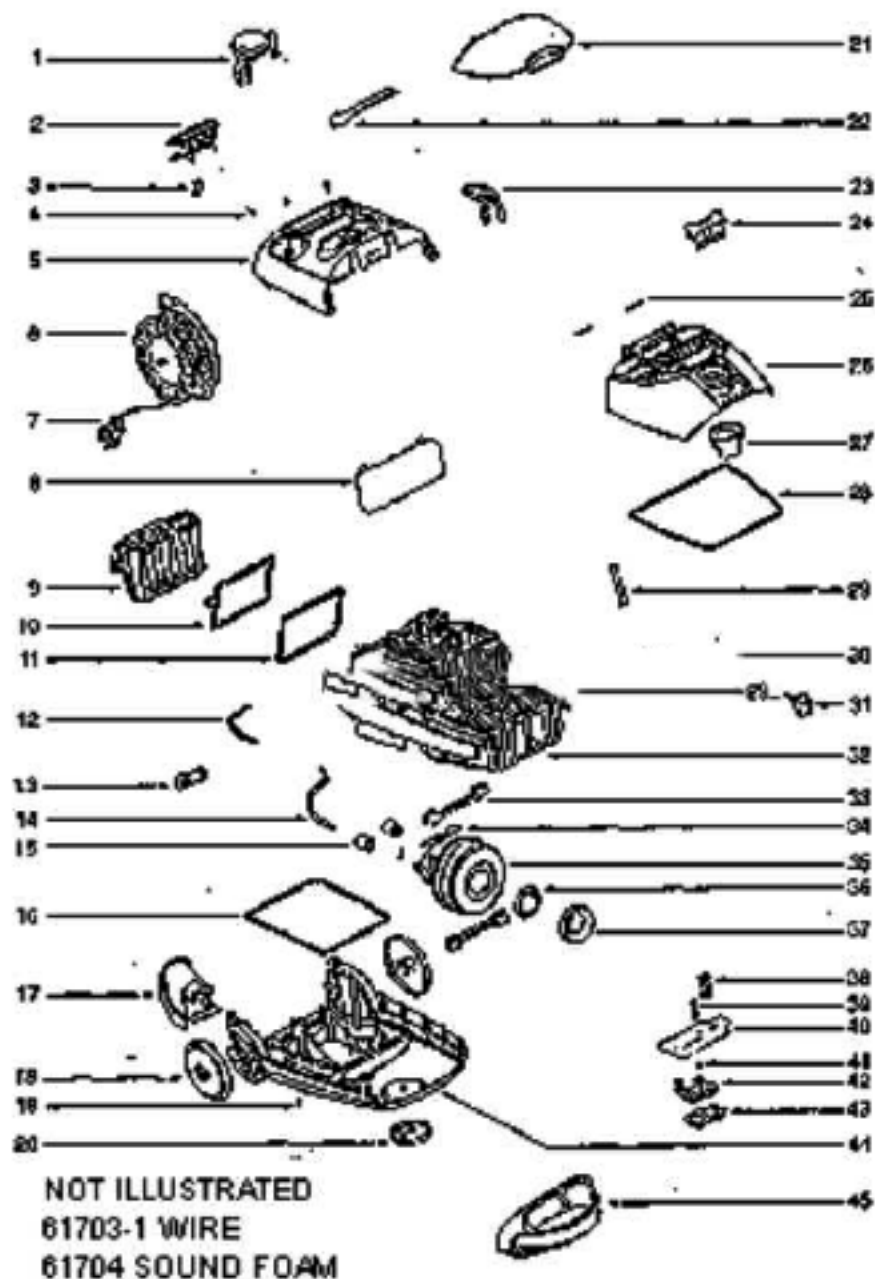
[Find Your Eureka Vacuum Cleaner Parts - Select From 855 Models](#)

----- Manual continues below part list -----

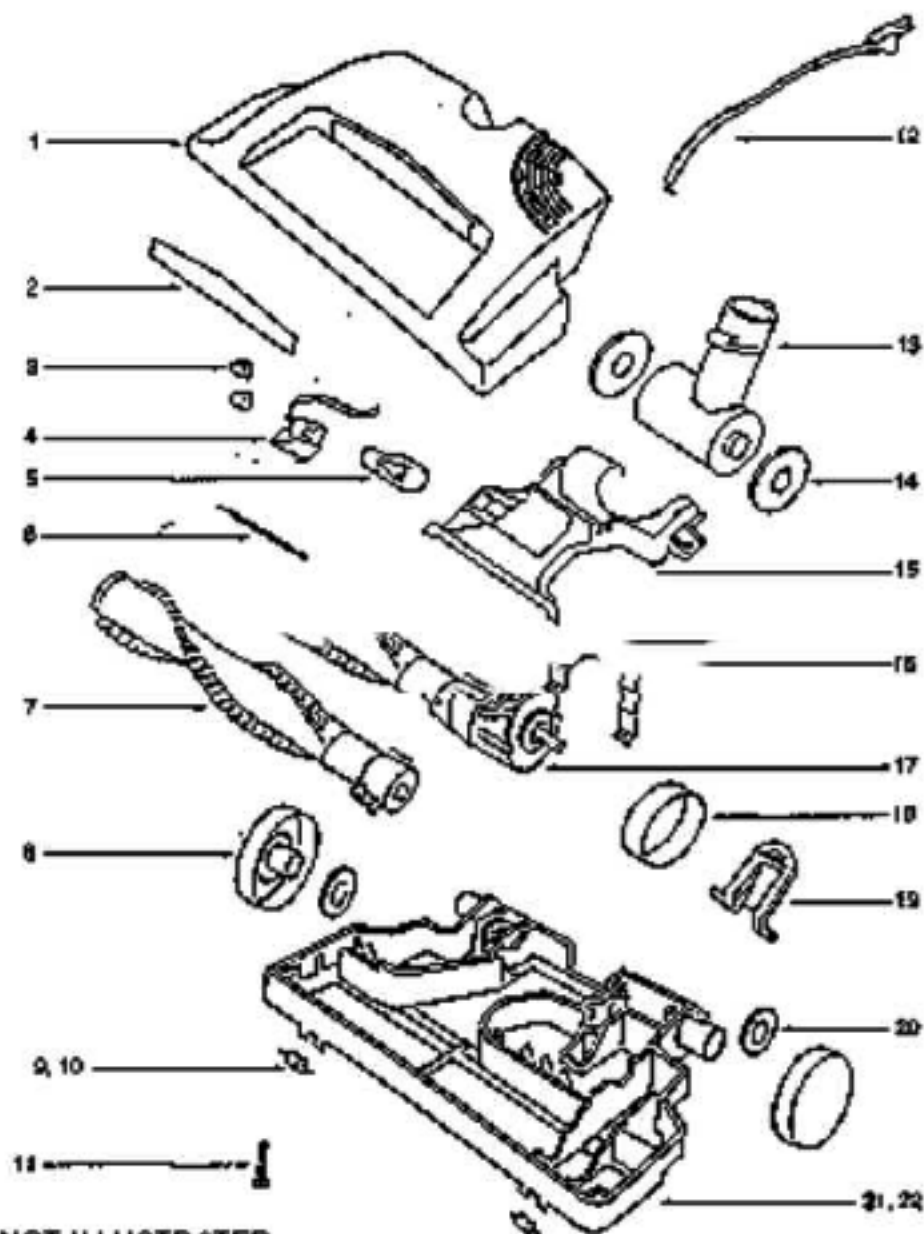
## Available Replacement Parts for Eureka 6982A

[155506](#)

MOTOR



Ref #	Part	Description	Comments	Qty
1	54886-3	LID - BAG COVER		
2	54888-3	CORD REWIND BUTTON		
3	54889-3	SWITCH BUTTON		
4	54890	BAG SUPPORT (ORANGE)		
5	54892	BAG SUPPORT SPRING		
6	54893	BAG INDICATOR		
7	54894	SHAFT		
8	54895-1	REAR WHEEL		
9	54914	HOSE 185MM		
10	54939-1	HOSE 170MM		
11	54944-3	DISPLAY		
12	54973	SPRING		
13	54985	CORD SET		
14	60476	FILTER FLAP (DARK GREY)		
15	60541	MOTOR FILTER		
16	60578	SEAL - EXHAUST FILTER		
17	60605	COVER SEALING GASKET .750		
19	60608	FLAP SEAL		
20	60632	FLAP PLATE		
21	60634-1	SUPPORT SEAL RING		
22	60635	INSULATING WASHER		
23	60636-1	REAR CATCH LEVER		
24	60637	SPRING CATCH LEVER		
25	60638-1	SLEEVE		
26	60647-1	SEALING RING		
27	60648-1	CORD GUIDE		
28	60650-1	MOTOR ASSEMBLY - CARTONED		
29	60651-1	CATCH LEVER (DARK GREY)		
30	60652-1	HANDLE		
31	60653	CUSHION		
32	61690	MICRON FILTER - 5UM 5.0UM*		
33	61693	CORD REEL W/COVER		
34	61694	MOTOR BLOCK		
35	61695	FRONT CASTER		
36	61697-1	SCREW PACKAGE		
37	61697-2	SCREW PACKAGE		
38	61698	THERMOSTAT		
39	61703-1	WIRE		
40	61704	SOUND FOAM		
41	61706-1	CIRCUIT BOARD - PKGD		
42	61708-1	TOP COVER - PKGD		
43	61709	UPPER SHELL		
44	61710	LOWER SHELL		
45	61712-1	COVER - PKGD		
46	60606	POWER OUTLET		
	60606-1	POWER OUTLET		



NOT ILLUSTRATED

54675-26 POWERHEAD COMPLETE

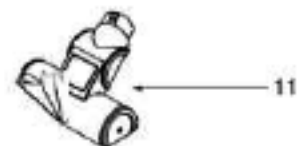
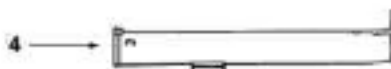
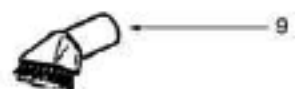
9. 56984 FRONT AXLE

56995-1 FRONT WHEEL

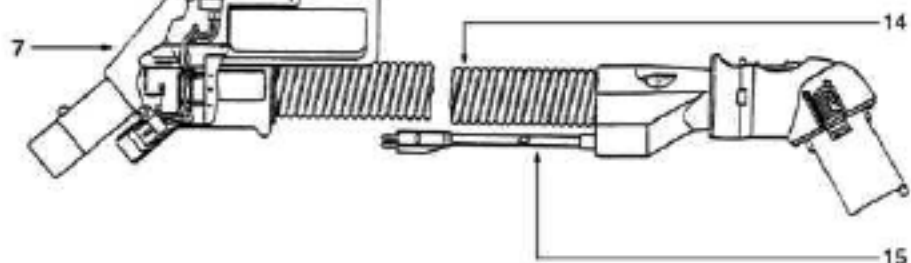
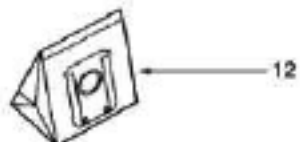
21. 54639-2 BASE ASSY

38063 BELT GUARD

Ref #	Part	Description	Comments	Qty
1	14940-1	PEDAL - FOOT		
2	27397-1	LENS - HOOD		
3	27398-1	AIR DUCT COVER ASSEMBLY		
4	37434-2	WHEEL - REAR		
5	37753-1	CORD & PLUG ASSEMBLY		
6	38063	GUARD - BELT		
7	38377	STRAP - MOTOR		
8	38379-2	HANDLE SOCKET ASSEMBLY		
9	38484-1	HEADLIGHT SOCKET ASSEMBLY		
10	53238-8	SCREW PACKAGE		
11	54343-1	MOTOR ASSEMBLY - PACKAGED		
12	54575-25	POWER HEAD ASSEMBLY - CAR		
13	54539-2	POWERHEAD HOOD/BASE KIT		
14	54672-27	HOOD & GRAPHICS ASSY - PK		
15	56180	FELT WASHER		
16	56984	WHEEL & AXLE PACKAGE - FR		
17	56995-1	WHEEL & AXLE PACKAGE - FR		
18	57421-2	WIRE & TERMINAL ASSEMBLY		
19	57992	GASKET - FELT		
20	58065A	BELT - STYLE AR		
21	59045	HEADLIGHT		
22	60192-1	WIRE SPLICE 5		
23	61235-1	BRUSHROLL ASSEMBLY - CTND		



If your model contains a blow wand with cord and a quick release coupling, please refer to model 6982B parts list.



Ref #	Part	Description	Comments	Qty
1	54905	CREVICE TOOL - 8"		
2	54904	UPHOLSTERY NOZZLE		
3	37738-5	UPPER WAND ASSEMBLY		
4	36879-5	STRAIGHT WAND ASSEMBLY		
5	53257-1	SCREWS - PACKAGE 10		
6	38346-2	SWITCH & CONNECTOR ASSEMB		
7	60852-1	HANDLE ASSEMBLY - PACKAGE		
8	39134-6	DELUXE FLOOR NOZZLE ASSEM		
9	54903	DUSTING BRUSH W/SWIVEL NE		
10	60816	FLOOR & WALL BRUSH ASSEMB		
11	59949	TURBO NOZZLE ASSY (MODEL		
12	60284A	PAPER BAG - STYLE EX		
13	71428	OWNER'S GUIDE		
14	60782-1	HOSE ASSY - CTND		
15	27730-3	HOSE CONNECTOR CORD ASSEM		
	60000	WHEEL COVER - RIGHT		