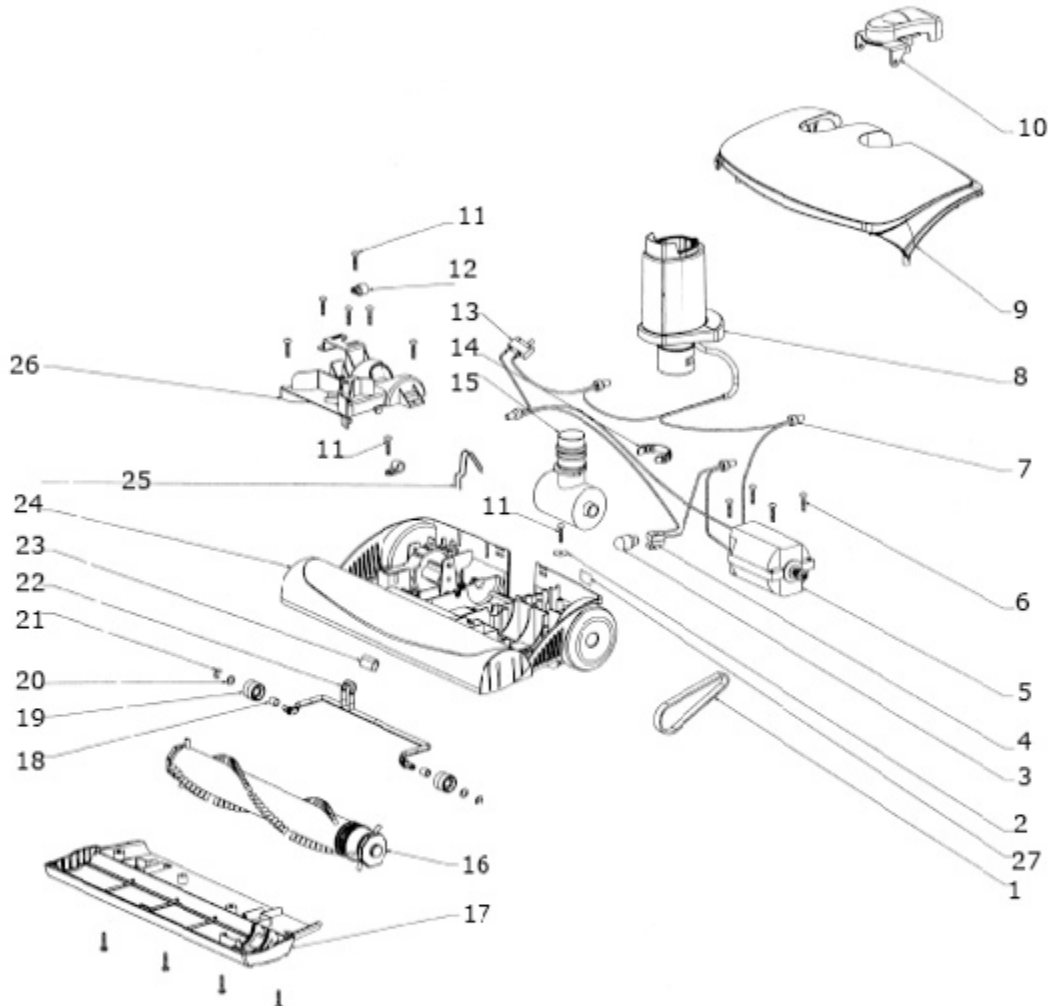
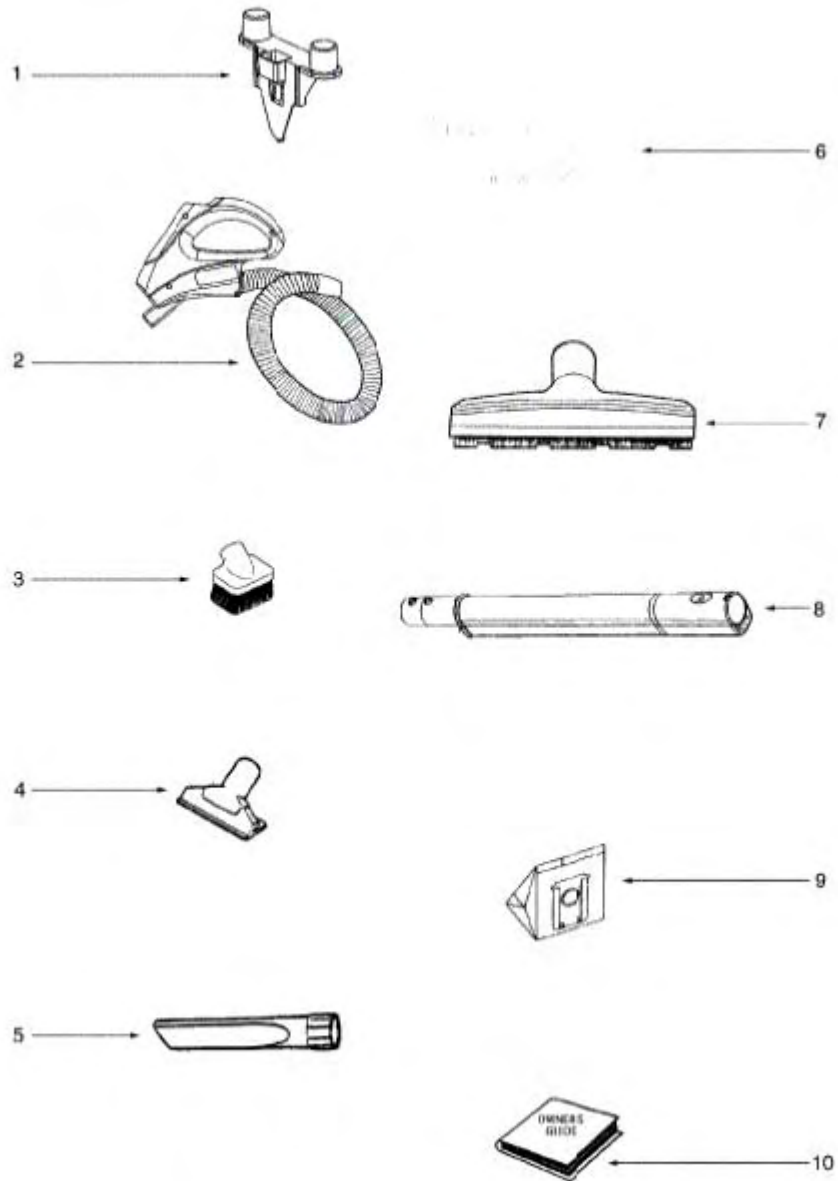


Canister - EL6988D

Ref #	Part	Description	Comments	Qty
1	78867	LID - FILTER		
2	1130617-01	ABSORBENT - FILTER LID		
3	EL012W	WASHABLE HEPA FILTER		
4	1130289-01	SEAL		
5	1130274-01	POWER OUTLET COMPLETE		
6	1050823-26	PEDAL - ON/OFF		
7	1050892-13	PEDAL - CORD WINDER		
8	61403	SPRING - PKGD		
9	62109-2	ELECTROLUX SCREW PACKAGE		
10	61890	SEALING WASHER PACKAGE		
11	1050899-02	ADAPTER - MOTOR		
12	1050808-01	SUPPORT - MOTOR		
14	1050868-01	ABSORBENT - MOTOR HOUSING		
15	1050889-03	HOUSING - MOTOR		
16	1050869-01	ABSORBENT - MOTOR HOUSING		
17	1130270-01	SEAL - MOTOR		
18	1128341-17	CORDWINDER		
19	1130256-02	WIRE (BLACK W/TCO)		
20	1130608-03	REAR WHEEL		
21	1130614-05	CAP - REAR WHEEL		
22	1130205-07	FRONT WHEEL ASSY		
23	1130610-03	HANDLE COMPLETE		
24	1130609-04	CAP - HANDLE		
25	1050888-62	DISPLAY		
26	1130341-16	COVER COMPLETE (EL6988A)		
27	117250-06	HOSE - COOLING		
28	1130249-01	SEAL - PCB SMALL		
29	1128898-01	PCB ASSEMBLY		
30	61409	SHAFT - PKGD		
31	1130340-04	COVER - FRONT INNER		
32	1130247-12	WIRE - MOTOR (RED)		
33	1130250-03	HOOD - MOTOR		
34	1130272-01	HOLDER - MOTOR FILTER		
35	1130535-01	FILTER - MOTOR		
36	117979-05	SEAL - LID		
37	1050803-03	MODULE - DUST BAG		
38	61415	FLAP SPRING - PKGD		
39	1050819-01	LOCK - LID		
40	1050873-02	TUBE - CORDWINDER COOLING		
41	1130620-02	LOWER SHELL WITH WHEELS	Includes items 20 & 21.	
43	1050812-01	BUSHING - HANDLE		
44	61418	LOCK - PKGD	Pkg of 5.	
42	62109-1	ELECTROLUX SCREW PACKAGE	Pkg of 10.	
13	63160-1	MOTOR CHANGE KIT		



Ref #	Part	Description	Comments	Qty
1	75614	BELT - COGGED		
2	63153	WASHER PACKAGE		
3	61682	LIGHT BULB		
4	61727	LIGHT SOCKET		
5	61740-1	MOTOR ASSEMBLY - CARTONED		
6	63155	SCREW PACKAGE		
16	61699-1	BRUSHROLL ASSY - CARTONED		
10	61728	PEDAL ASSEMBLY		
9	61730-1	HOOD ASSEMBLY - PACKAGED		
11	63155	SCREW PACKAGE		
13	74594	SWITCH - RESET		
14	63154	C-CLAMP PACKAGE		
8	75810-1	WAND RELEASE ASSY		
17	61753-1	SOLE PLATE ASSEMBLY		
18	76136	INSERT - FRONT WHEEL		
19	61750	FRONT WHEEL		
20	63153	WASHER PACKAGE		
21	61752	E-RING PACKAGE		
22	61749	FRONT AXLE		
23	61747	CAM BEARING		
24	61746-3	BASE ASSEMBLY - PACKAGED		
25	61748	SPRING		
26	61734	AIR DUCT COVER ASSEMBLY		
28	75922-5	POWERHEAD ASSY (BETA-SUMO)	Powerhead Assy. complete.	
7	58313	WIRE SPLICE 5		
15	39973-2	T-JOINT ASSEMBLY		
12	58430	CLAMP CABLE		
	61743-355N	FOOT PEDAL		



Accessories - EL6988D

Ref #	Part	Description	Comments	Qty
1	76161-366N	CADDY - TOOL		
2	61977-5	POWERHEAD HOSE ASSEMBLY -		
3	75986	NOZZLE - DUSTING BRUSH		
4	75985	NOZZLE - FURNITURE		
5	76250	NOZZLE - CREVICE		
7	75973-1	FLOOR & WALL BRUSH ASSEMB		
8	75979A-1	TLSCPC WAND ASSY (SUMO 12		
9	EL200B	S BAG CLASSIC	Pkg of 5.	
10	78872	OWNERS GUIDE		
	15821	Dust Bage		
	SF119262-74	Dust Bag		
	15812	Dust Bag		
	045027-355N	Sumo Adapter		