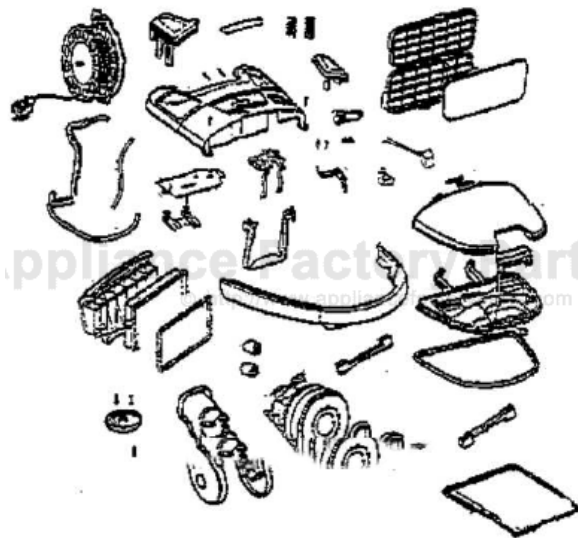


This Owner's Manual is provided and hosted by [Appliance Factory Parts](#).



# Eureka 6998A Owner's Manual

[Shop genuine replacement parts for Eureka 6998A](#)

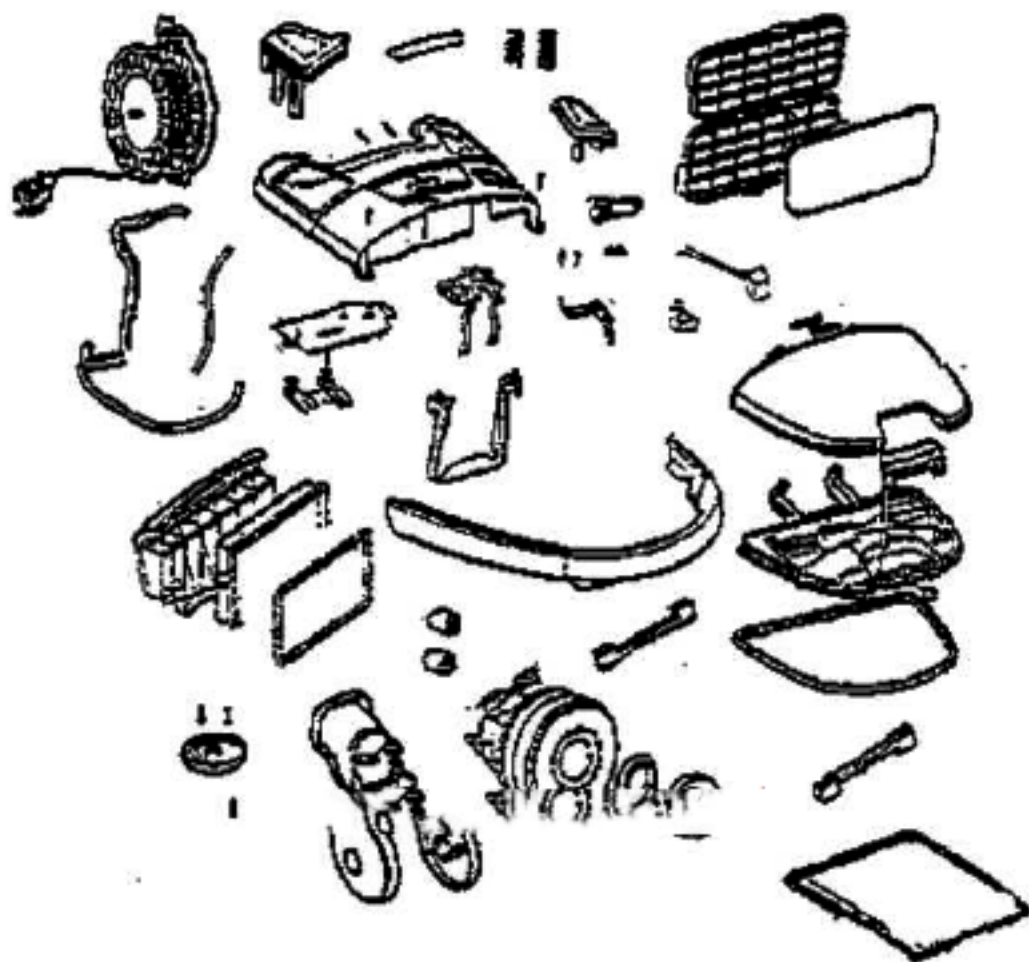


[Find Your Eureka Vacuum Cleaner Parts - Select From 855 Models](#)

----- Manual continues below part list -----

## Available Replacement Parts for Eureka 6998A

<a href="#">ER-1050</a>	BELT, EUREKA 1 PACK
<a href="#">155506</a>	MOTOR



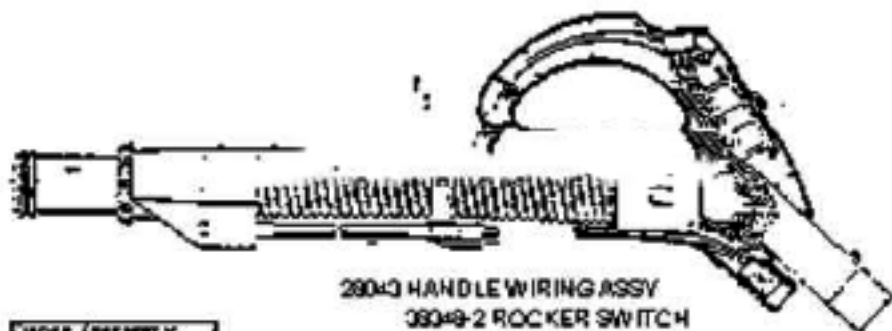
Ref #	Part	Description	Comments	Qty
1	60885	CORD REEL PEDAL		
2	60900	CORD REEL W/OUT CORD		
3	54985	CORD SET		
4	60895	HOSE 26 3/4"		
5	60875	FILTER FLAP		
6	60286	HEPA FILTER - STYLE HF1		
7	60578	SEAL - EXHAUST FILTER		
8	54989	OVERHEATING CUT-OUT		
9	60653	CUSHION		
10	54988	CARBON BRUSH - MOTOR		
11	60882	MOTOR CHAMBER SEAL		
12	60894	CORD GUIDE		
13	60893	REAR WHEEL - DARK GREY		
14	60883	DISPLAY		
15	60873	FILTER HOLDER		
16	60874	FILTER		
17	54894	SHAFT		
18	60879	LID - DK GREEN		
19	60878	CATCH LEVER - DK GREEN		
20	60877	ACCESSORY TRAY DARK GREY		
21	60881	CATCH SPRING - PKGD		
22	60876	SEAL		
23	27690-1	CONNECTOR & WIRE ASSEMBLY		
24	60898	BAG HOLDER SPRING - PKGD		
25	60887	HANDLE - DARK GREY		
26	60650	MOTOR REPLACEMENT KIT		
27	60634	SUPPORT SEAL RING		
28	60647	SEALING RING		
29	60000	WHEEL COVER - RIGHT		
30	54891	FRONT WHEEL ASSY (DARK GR		
31	60884	ON/OFF SWITCH PEDAL		
32	54973	SPRING		
33	60882	REAR COVER - DK GREEN		
34	54893	BAG INDICATOR		
35	60886	SPEED REGULATOR		
36	60632	FLAP PLATE		
37	60608	FLAP SEAL		
38	60896	ARM - DARK GREY GREY		
39	60899	BAG HOLDER (ORANGE)		



39207 CYCLONIC UPPER HOUSING & WAND ASSY  
60872 GASKET



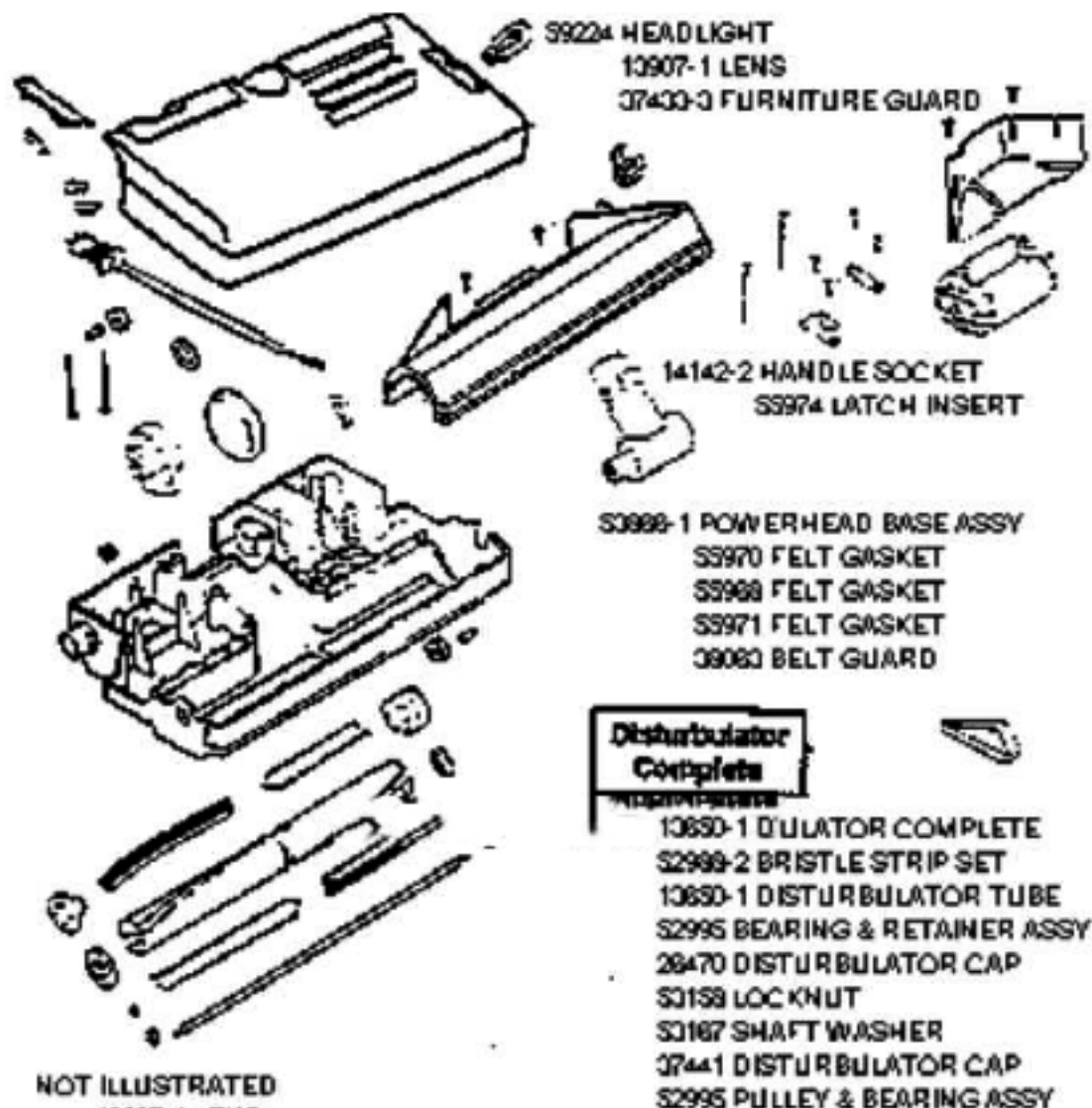
WHITE  
BLUE  
BLACK



2804 HANDLE WIRING ASSY  
3904-2 ROCKER SWITCH

HOSE ASSEMBLY  
COMPLETE

Ref #	Part	Description	Comments	Qty
1	27730-2	HOSE CONNECTOR CORD ASSEM		
2	28043	HANDLE WIRING ASSY		
3	37738-2	UPPER WAND ASSEMBLY		
4	37738-4	UPPER WAND ASSEMBLY		
5	38348-2	SWITCH - ROCKER		
6	38948-336N	KNOB - CONTROL		
7	39040A-1	STRAIGHT WAND ASSEMBLY		
8	39041	COUPLING ASSY - EASY CHAN		
9	39237	CYCLONIC UPPER HSNG & WND		
10	53257-1	SCREWS - PACKAGE 10		
11	54903	DUSTING BRUSH W/SW/EL NE		
12	54904	UPHOLSTERY NOZZLE		
13	54905	CREVICE TOOL - 8"		
14	59779	DIRT CUP - CYCLONIC		
15	59780A	WAND CLIP - CYCLONIC		
16	60655	PAPER BAG PCKG - STYLE OX		
17	60793-1	HOSE ASSY - CTND		
18	60816	FLOOR & WALL BRUSH ASSEMB		
19	60853-1	HANDLE ASSEMBLY - PACKAGE		
20	60872	GASKET - CYCLONIC BAG		



Ref #	Part	Description	Comments	Qty
1	13650-1	TUBE - DISTURBULATOR		
2	13907-1	LENS		
3	14142-2	SOCKET - HANDLE		
4	26469-1	WINDOW - BELT		
5	26470	CAP - DISTURBULATOR		
6	37433-3	GUARD - FURNITURE		
7	37441	DISTURBULATOR CAP		
8	37751-3	CORD & PLUG ASSEMBLY		
9	37786-8	WHEEL ASSEMBLY		
10	38083	GUARD - BELT		
11	38259	HEADLAMP SOCKET ASSEMBLY		
12	52201A	BELT PKG ASSY (PH)		
13	52988-2	BRISTLE STRIP SET		
14	52995	DISTURBULATOR REPAIR KIT		
15	53158	LOCK NUT PACKAGE		
16	53167	WASHER - SHAFT PACKAGE		
17	53190-1	BUSHING - STRAIN RELIEF-P		
18	53238-18	SCREW PACKAGE		
19	53238-19	SCREW PACKAGE		
20	53238-8	SCREW PACKAGE		
21	53411-1	DISTURBULATOR ASSY - CRTN		
22	53419-2	MOTOR ASSEMBLY - CARTONED		
23	53424	ON-SERT PKG 10		
24	53866-1	POWERHEAD BASE ASSY - PAC		
25	54016-46	POWERHEAD HOOD ASSY - PAC		
26	55968	GASKET - FELT		
27	55969	GASKET - FELT		
28	55970	GASKET - FELT		
29	55971	GASKET - FELT		
30	55974	INSERT - LATCH		
31	55979	SPRING STRAP		
32	55980-1	STRAP		
33	56180	FELT WASHER		
34	56232-1	DISTURBULATOR COVER ASSEM		
35	56489	AXLE		
36	56824	WHEEL & SLEEVE ASSEMBLY		
37	57710-1	AIR DUCT COVER ASSEMBLY		
38	59224	LAMP - HEADLIGHT 5		
39	60192-1	WIRE SPLICE 5		