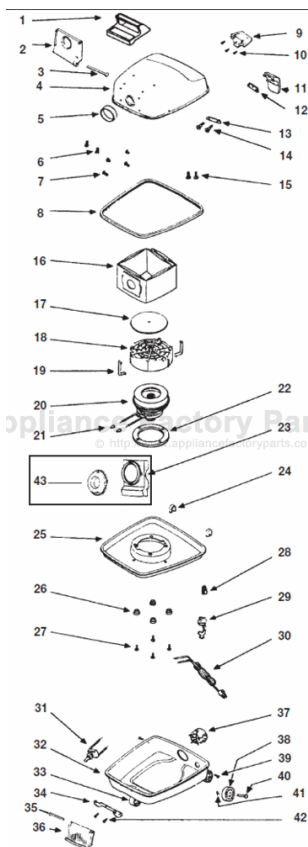


This Owner's Manual is provided and hosted by Appliance Factory Parts.



Eureka 713B Owner's Manual

[Shop genuine replacement parts for Eureka 713B](#)



[Find Your Eureka Vacuum Cleaner Parts - Select From 855 Models](#)

----- Manual continues below part list -----

Available Replacement Parts for Eureka 713B

E-52323	EUREKA OEM H BAG 3 PACK
Fa-3400	switch â€“ step on 1 Inch Leads.

Original & Replacement **EUREKA**

STRAIGHT SUCTION CANISTER

Model 713B Shown

KEY	PART NO.	DESCRIPTION
1	E-46129-27	Handle & Insert Ass'y
2	NLA	Hinge
3	NLA	Hinge Pin
4	E-11926A-20	Upper Shell
5	E-47976	Hinge Gasket
6	E-EW285-6T5C	Handle Screw
7	E-EW285-6T6C	Hinge Screw
8	E-23792-10	Furniture Guard
9	E-24223-4	Fin
10	E-EW285-6T6C	Fin Screw
11	NLA	Latch
12	NLA	Latch Gasket
13	E-34582	Latch Spring
14	E-45166	Latch Screw
15	E-EW285-8T6C	Screw
16	E-52323	Disp. Paper Bags Style H 3 Pk
16	ER-1408	Disp. Paper Bags Style H 3 Pk
17	E-34281	Filter Disc
17	ER-1800	Filter, Foam
18	E-24128A	Filter Support
18	COR-1800	Filter Support, W/Filter
19	E-48756-1	Clip
20	E-54336	Motor Ass'y
20	GS-041	Motor Ass'y
21	E-EW22-25	Wire Nut
21	SS-3270	Wire Nut
22	E-33295A	Motor Mount Ring
23	E-49427-2	Bag Support Ass'y*
	E-36538	*Bag Gasket Retainer
	E-25696	*Support
	E-49405	*Bag Gasket
24	E-34562	Locator
25	E-11862A	Motor Mounting Plate
26	E-44226	Motor Mounting Bushing
27	E-46106A	Motor Mounting Screw
28	E-47922	Wire Clip
29	E-43814-6	Strain Relief Bushing
29	SS-3265	Strain Relief Bushing
30	E-36528-3	Supply Cord & Plug Ass'y
30	ER-3030	Supply Cord 30 Ft.
30	NLA	Supply Cord 20 Ft.
31	E-25801-4	Push Switch
31	FA-3400	Push Switch
32	E-55216-1	Lower Shell & Wheel Ass'y
33	NLA	Front Caster Ass'y
34	E-34567A	Hinge Bracket
35	E-35845-3	Pin
36	E-11740B-4	Switch Pedal
37	E-13206-2	Exhaust Shield
38	E-25392-4	Rear Wheel
39	E-48624	Locator Screw
40	E-46842	Pin
41	E-EW181-5C	Cotter Pin
42	E-48624	Bracket Screw
43	NLA	*Bag Gasket, Split Ring
43	NLA	Bag Gasket, Split Ring

NLA = No Longer Available

