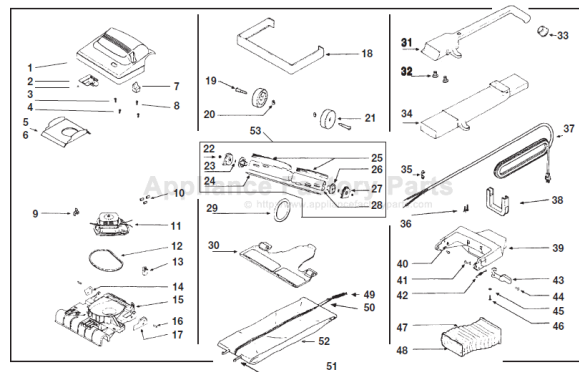


This Owner's Manual is provided and hosted by [Appliance Factory Parts](#).



# Eureka 7534A Owner's Manual

[Shop genuine replacement parts for Eureka 7534A](#)



[Find Your Eureka Vacuum Cleaner Parts - Select From 855 Models](#)

----- Manual continues below part list -----

## Available Replacement Parts for Eureka 7534A

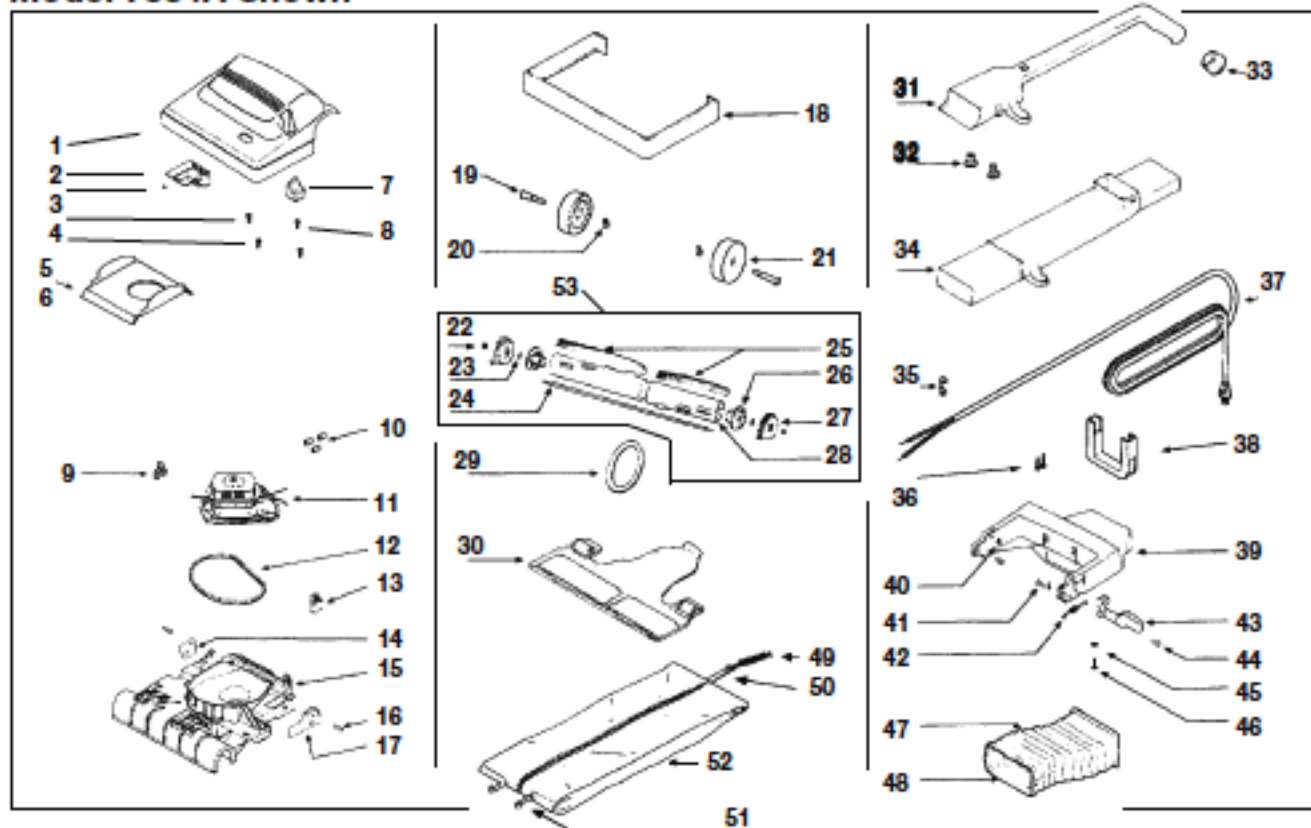
<a href="#">e-52100</a>	BELT VACUUM OEM EUREKA 2 PACK
<a href="#">E-30563</a>	BELT 1 PACK OEM EUREKA
<a href="#">ER-1000</a>	BELT, EUREKA UPRIGHTS, 1PK
<a href="#">E-52282-4</a>	Bristle strip Assy. Blue bristle VGII

# EUREKA

# Original & Replacement

ULTRA

Model 7534A Shown

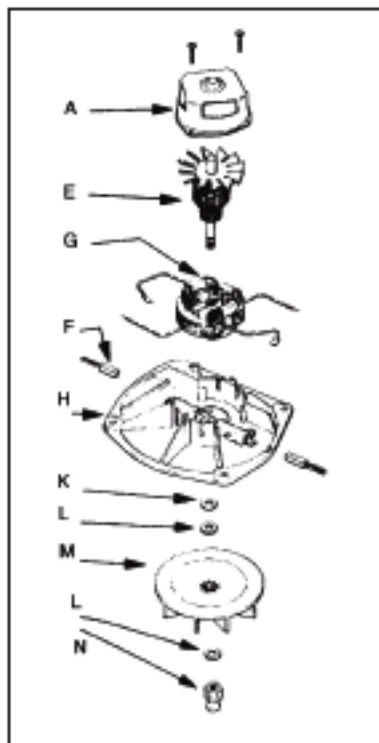


KEY	PART NO.	DESCRIPTION
1	E-14577-3	Hood & Graphics Ass'y
2	E-13923-3	Bleeder Slide
3	E-55753	Push Nut
4	E-53238-13	Screw
5	E-37678	Air Separator
6	E-49052-8	Foam Tape (Not Illustrated)
7	NLA	Switch Button
8	E-53238-17	Screw
9	E-26307	Wire Clip
10	E-53214-1	Wire Nut
10	SS-3270	Wire Nut
11	E-13356-4	Motor Ass'y 6.5 Ass'y
11	E-13356-6	Motor Ass'y 5.0 Amp
12	E-30517	Motor Seal Gasket
12	ER-7600	Motor Seal Gasket
13	E-13738-6	Push Switch Ass'y
14	E-37228	Retainer Bracket
15	NLA	Base Ass'y
16	E-53205	Yoke Pin
17	E-26269	Foot Pedal Bracket
18	E-38170-1	Furniture Guard
19	E-37226	Axle
20	E-55684	Pronglock Retainer
21	E-26270-4	Rear Wheel
22	E-53158	Locknut
23	E-53167	Shaft Washer
24	E-56028	Disturbulator Shaft
25	E-52362-2	Bristle Strip Ass'y
26	E-56028	Retainer, Bearing & Shaft Ass'y
27	E-53085	Disturbulator Cap Ass'y
28	E-13236-1	Disturbulator Tube
29	E-30563	Belt

KEY	PART NO.	DESCRIPTION
29	E-52100	Belt 2 Pk
29	ER-1000	Belt (ESSCO)
29	ER-1010	Belt
30	NLA	Bottom Plate Ass'y
31	E-56455-1	Upper Handle W/Switch Hole
31	E-37265-7	Upper Handle W/O Switch Hole
32	E-53080-3	Snap Pin
33	E-36873-5	Cap
34	E-01465B-2	Lower Handle
35	E-53190-1	Strain Relief
35	SS-3265	Strain Relief
36	E-53238-14	Screw
37	E-34732-26	Supply Cord Ass'y
37	FA-3030	Supply Cord 30 Ft
37	FA-3020	Supply Cord 20 Ft.
38	NLA	Carry Handle
39	E-01456A-2	Yoke
40	E-53206	Push On Nut
41	E-53204	Yoke Bushing
42	E-53203	Foot Pedal Spring
43	E-26268-2	Foot Pedal
44	E-53202	Foot Pedal Pin
45	E-53212	Washer
46	E-53238-11	Screw
47	NLA	Bellows
48	E-26266-2	Clamp
49	E-53086	Spring
50	E-37318B-2	Bag Strap
51	E-26272	Insert
52	NLA	Bag Ass'y
53	NLA	Brushroll Ass'y VGII

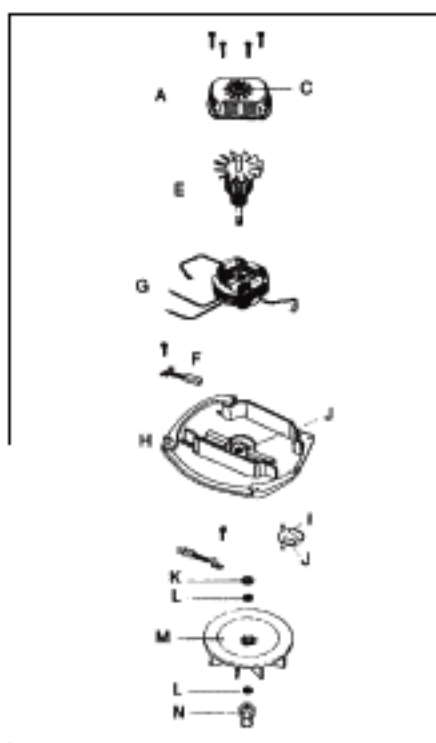
# Original & Replacement **EUREKA**

## Upright Motor Schematics



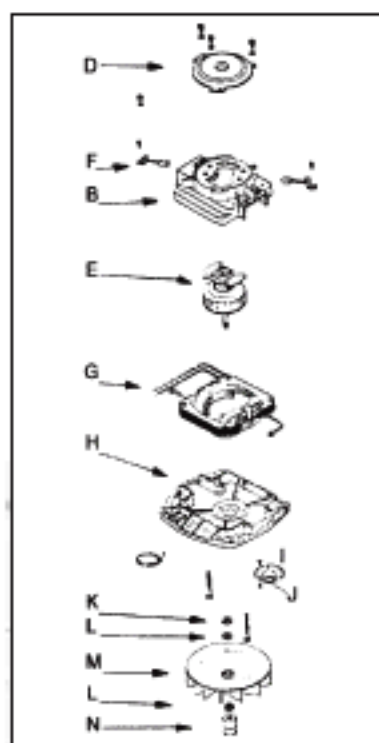
**400 Series**  
4.0 Amp  
Ball/Sleeve  
1-Speed

MOTOR ASSY	E-53349-4
A Motor Cover w/Bearing	E-54172
B Motor Cover Less Bearing	
C Top Bearing (Ball)	
D Top Bearing Retainer	
E Armature Ass'y	NLA
F Carbon Brush Ass'y	E-25172A1
G Field Ass'y	NLA
H Motor Base Ass'y	E-54171-1
I Lower Bearing Kit	
J Lower Bearing Only	
K Washer (Metal)	E-53188-1
L Fan Washer (Fiber)	E-49017
M Fan	E-12988-1 ER-2800
N Fan Pulley	E-37012
Cooling Fan	
Motor Cover Screw	E-53131-1
Carbon Brush Screw	



**2000 & 7000 Series, Ultra & Sanitaires**

5.5 Amp Ball/Sleeve 1-Speed	5.0 Amp Ball/Ball 1-Speed	6.5 Amp Ball/Ball 1-Speed	6.5 Amp Ball/Ball 2-Speed
E-53361-5	E-53361-5	E-53361-1	NLA
E-25863	E-25863		
		E-13746-1	E-13746-1
E-53088-1 FA-6200	E-53088-1 FA-6200	E-53088-1 FA-6200	E-53088-1 FA-6200
NLA	NLA	NLA	NLA
E-26055	E-26055	E-26055	E-26055
NLA	NLA	E-53480-1	NLA
NLA	NLA	NLA	NLA
E-54412 ER-6210	E-54412 ER-6210	E-54412 ER-6210	E-54412 ER-6210
E-53088-1 FA-6200	E-53088-1 FA-6200	E-53088-1 FA-6200	E-53088-1 FA-6200
E-53188-1	E-53188-1	E-53188-1	E-53188-1
E-49017	E-49017	E-49017	E-49017
E-12988-1 ER-2800	E-12988-1 ER-2800	E-12988-1 ER-2800	E-12988-1 ER-2800
NLA	E-53084	NLA	NLA
NLA	NLA	NLA	NLA
E-53131-2	E-53131-2	E-53131-2	E-53131-2
E-53192	E-53192	E-53192	E-53192



**2000 Series Sanitaires** | **5000 Series Self-Propelled**  
6.5/7 Amp  
Ball/Ball  
1-Speed

6.5/7 Amp Ball/Ball 1-Speed	6.7 Amp Ball/Ball 1-Speed	6.7 Amp Ball/Ball 2-Speed
E-53366-8	E-53390-7	NLA
E-54159	E-54159	E-54159
E-53088-1 FA-6200	E-53088-1 FA-6200	E-53088-1 FA-6200
E-20217E	E-20217E	E-20217E
E-53353-3	E-54425-1	NLA
E-30478 ER-6310	E-30478 ER-6310	E-30478 ER-6310
E-53441-2	NLA	NLA
E-54169-1	NLA	NLA
E-54412 ER-6210	E-54412 ER-6210	E-54412 ER-6210
E-53088-1 FA-6200	E-53088-1 FA-6200	E-53088-1 FA-6200
E-53188-1	E-53188-1	E-53188-1
E-49017	E-49017	E-49017
E-12988 ER-2805	E-12988 ER-2805	E-12988 ER-2805
E-37012	E-53185	E-53185
E-30474A	E-30474A	E-30474A
E-53138	E-53138	E-53138
E-53192-2	E-53192-2	E-53192-2