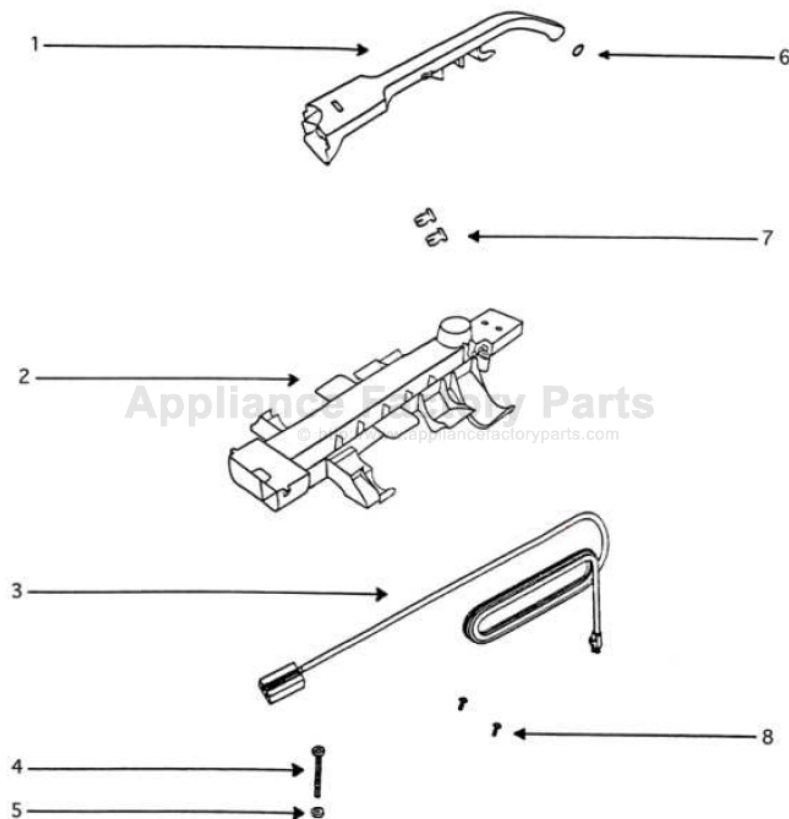


This Owner's Manual is provided and hosted by Appliance Factory Parts.



Eureka 7606A Owner's Manual

[Shop genuine replacement parts for Eureka 7606A](#)

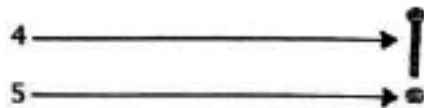
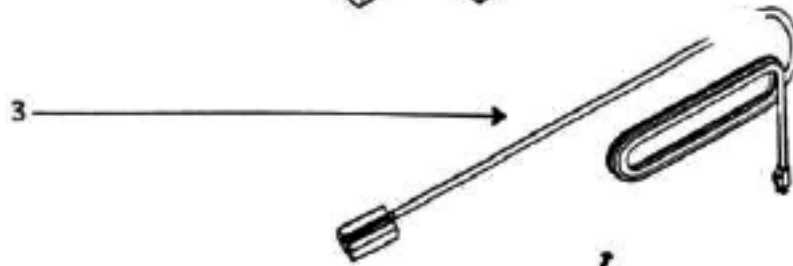
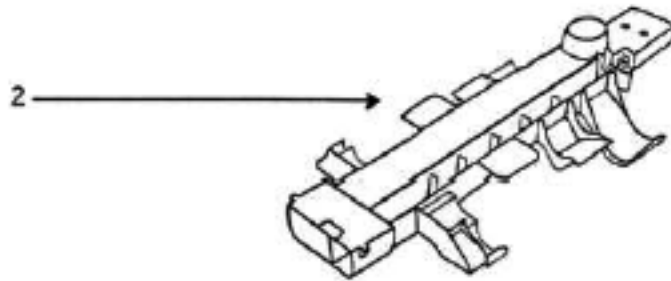
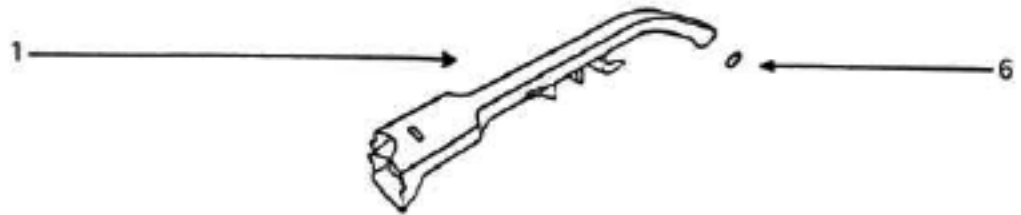


[Find Your Eureka Vacuum Cleaner Parts - Select From 855 Models](#)

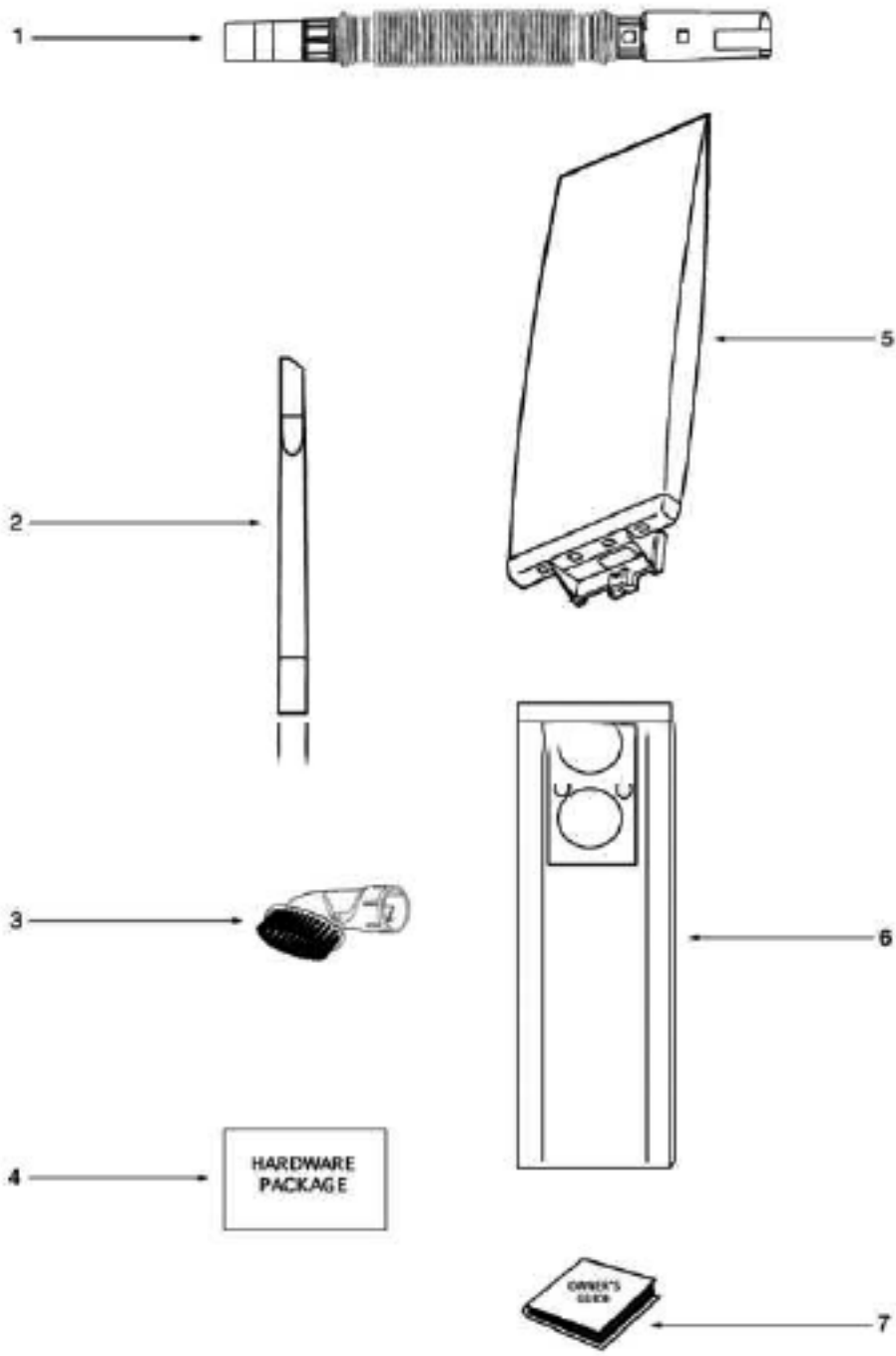
----- Manual continues below part list -----

Available Replacement Parts for Eureka 7606A

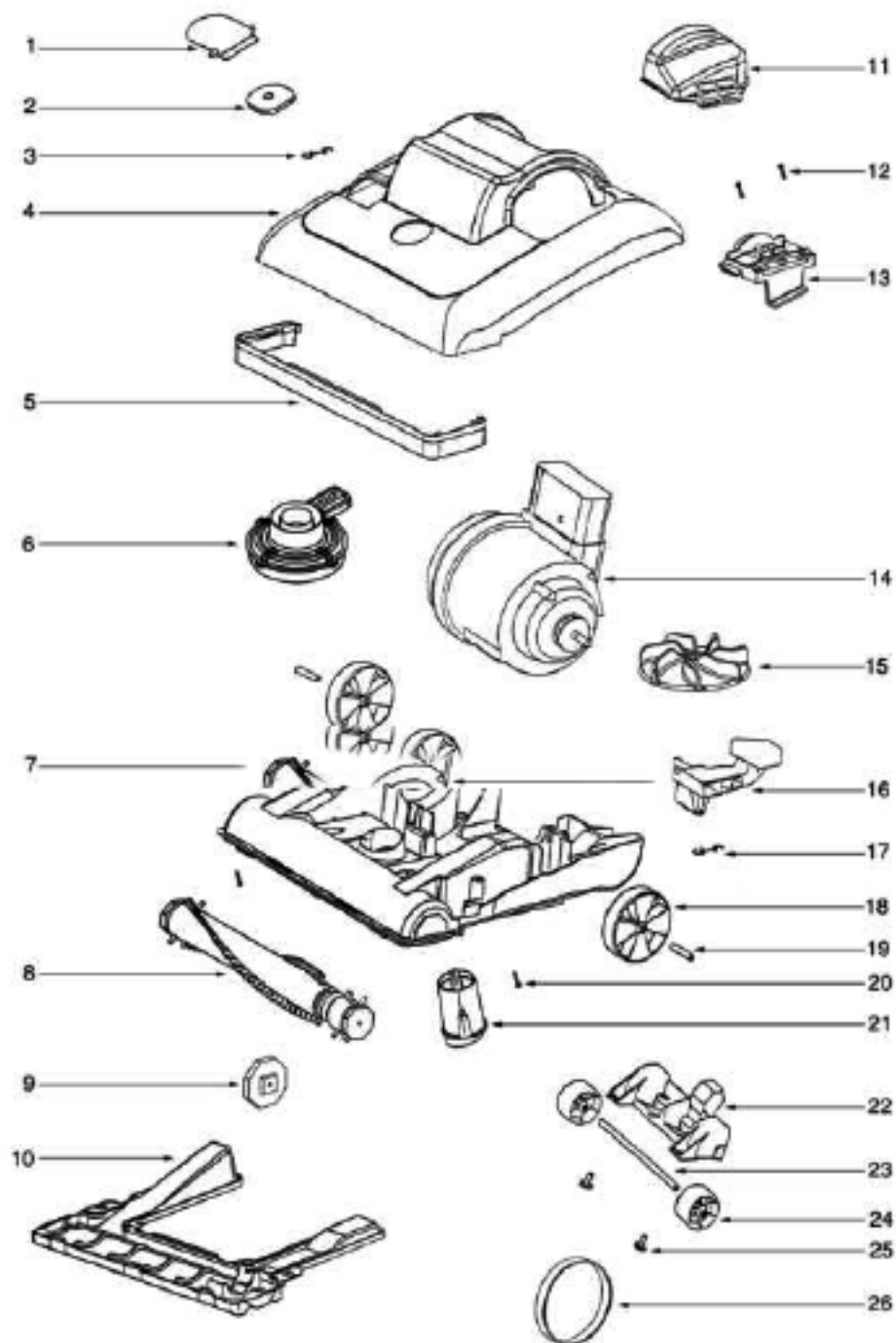
| | |
|---------------------------|---------------------------|
| ER-2017 | BRUSH ROLLER ROLL 54325-1 |
| e-60990-2 | BRUSH |



| Ref # | Part | Description | Comments | Qty |
|-------|------------|-----------------------|----------|-----|
| 1 | 38687-5 | UPPER HANDLE ASSEMBLY | | |
| 2 | 71959-119N | HANDLE - LOWER | | |
| 3 | 27682-1 | CORD & PLUG ASSEMBLY | | |
| 4 | 53218-2 | SCREW PACKAGE | | |
| 5 | 53213-5 | NUTS - PACKAGE 10 | | |
| 6 | 27207-1 | CAP - HANDLE | | |
| 7 | 53536-3 | SNAP PIN - PACKAGED | | |
| 8 | 53238-13 | SCREW PACKAGE | | |



| Ref # | Part | Description | Comments | Qty |
|-------|------------|---------------------------|----------|-----|
| 1 | 60954-5 | HOSE ASSEMBLY - CARTONED | | |
| 2 | 71956-119N | WAND - CREVICE | | |
| 3 | 60990-2 | COMBINATION BRSH BRSTLD-C | | |
| 4 | 71351 | HARDWARE PACKAGE | | |
| 5 | 61524-3 | CLOTH BAG ASSY - CTND | | |
| 6 | 54310A | PAPER BAG PKG ASSY STYLE | | |
| 7 | 72102 | OWNER'S GUIDE | | |



| Ref # | Part | Description | Comments | Qty |
|-------|-------------|---------------------------|----------|-----|
| 1 | 38822SV | ATTACHMENT DOOR & GASKET | | |
| 2 | 58890 | DOOR GASKET | | |
| 3 | 53076-2 | SPRING & AXLE PACKAGE (6) | | |
| 4 | 60162-51 | HOOD & GRAPHICS ASSY - PK | | |
| 5 | 15325-288N | GUARD - FURNITURE | | |
| 6 | 71594 | FAN COVER | | |
| 7 | 60163-14 | BASE ASSEMBLY - PACKAGED | | |
| 8 | 60279-1 | DISTURBULATOR ASSY - CTND | | |
| 9 | 27759A-119N | CAP - DISTURBULATOR | | |
| 10 | 39103-1SV | BOTTOM PLATE ASSEMBLY | | |
| 11 | 27796-288N | PEDAL - SWITCH | | |
| 12 | 53197-3 | SCREW PACKAGE | | |
| 13 | 15344B-313N | BRACKET - MOTOR | | |
| 14 | 54379-118 | MOTOR ASSEMBLY - PKGD | | |
| 15 | 27930 | IMPELLER | | |
| 16 | 27799-288N | RELEASE - HANDLE | | |
| 18 | 27794-119N | WHEEL - REAR | | |
| 19 | 58814 | REAR AXLE | | |
| 21 | 28342C-288N | KNOB - HEIGHT ADJUSTMENT | | |
| 22 | 27793A-119N | CARRIAGE | | |
| 23 | 57567-1 | AXLE - WHEEL | | |
| 24 | 38236B-119N | WHEEL - FRONT | | |
| 25 | 60160 | SCREW PACKAGE 10 | | |
| 26 | 61120 | BELT PKG ASSY-(U-EXTENDED | | |