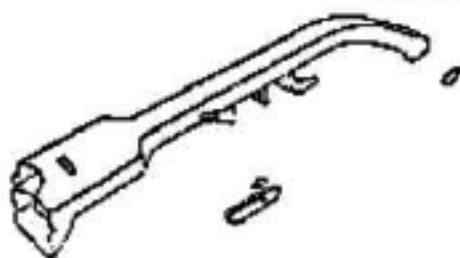
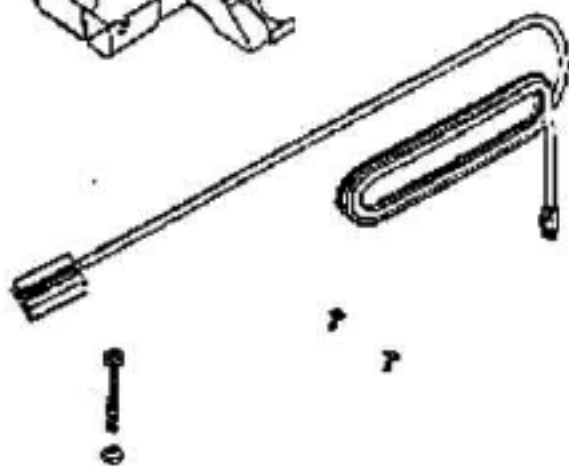
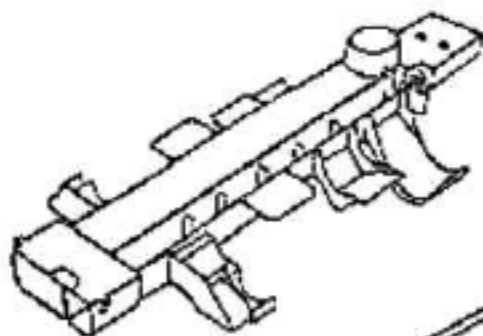


Part #	Part	Description	Comments	Qty
1	02201A-119N	PLATE - BOTTOM		
2	15325-288N	GUARD - FURNITURE		
3	15344A-313N	BRACKET - MOTOR		
4	27209A	CAP - DISTURBULATOR		
5	27793-119N	CARRIAGE		
6	27794-288N	WHEEL - REAR		
7	27795-288N	KNOB		
8	27796-288N	PEDAL - SWITCH		
9	27799-288N	RELEASE - HANDLE		
10	27815A	MOUNT - MOTOR (LARGE)		
11	38236A-119N	WHEEL - FRONT		
12	38819	FOAM MUFFLER		
13	38820	MUFFLER SCREEN		
14	38822	ATTACHMENT DOOR & GASKET		
15	38834-119N	REDUCER - MOTOR		
16	53076-2	SPRING & AXLE PACKAGE (6)		
17	53197-3	SCREW PACKAGE		
18	54312	BELT PACKAGE ASSEMBLY (U)		
19	54325-2	DISTURBULATOR ASSY - CAR		
20	54359	PACKAGE - FELT WASHER		
21	54379-37	MOTOR ASSEMBLY - PKGD		
22	57567-1	AXLE - WHEEL		
23	58814	REAR AXLE		
24	58815	SMALL MOTOR MOUNT		
25	58890	DOOR GASKET		
26	60160	SCREW PACKAGE 10		
27	60162-5	HOOD & GRAPHICS ASSY - PK		
28	60163-1	BASE ASSEMBLY - PACKAGED		

38687-2 UPPER HANDLE ASSY
26317B-3 CORD RETAINER RELEASE
27207-1 HANDLE CAP



38687-2



P

P

Qty	Part	Description	Comments	Qty
1	02193-119N	HANDLE - LOWER		
2	26317B-3	RELEASE - CORD		
3	27207-1	CAP - HANDLE		
4	27682-1	CORD & PLUG ASSEMBLY		
5	38687-2	UPPER HANDLE ASSEMBLY		
6	53213-5	NUTS - PACKAGE 10		
7	53218-1	SCREW PACKAGE		
8	53238-13	SCREW PACKAGE		
9	53536-3	SNAP PIN - PACKAGED		



54363 ARMATURE & MOTOR BRUSH KIT WITH BEARINGS
54472-1 BRUSH HOLDER & BRUSH ASSY



64381-1 FIELD ASSY
13740-6 SWITCH ASSY
NOT ILLUSTRATED
MOTOR BRUSH
BRUSH SPRING
BRUSH HOLDER



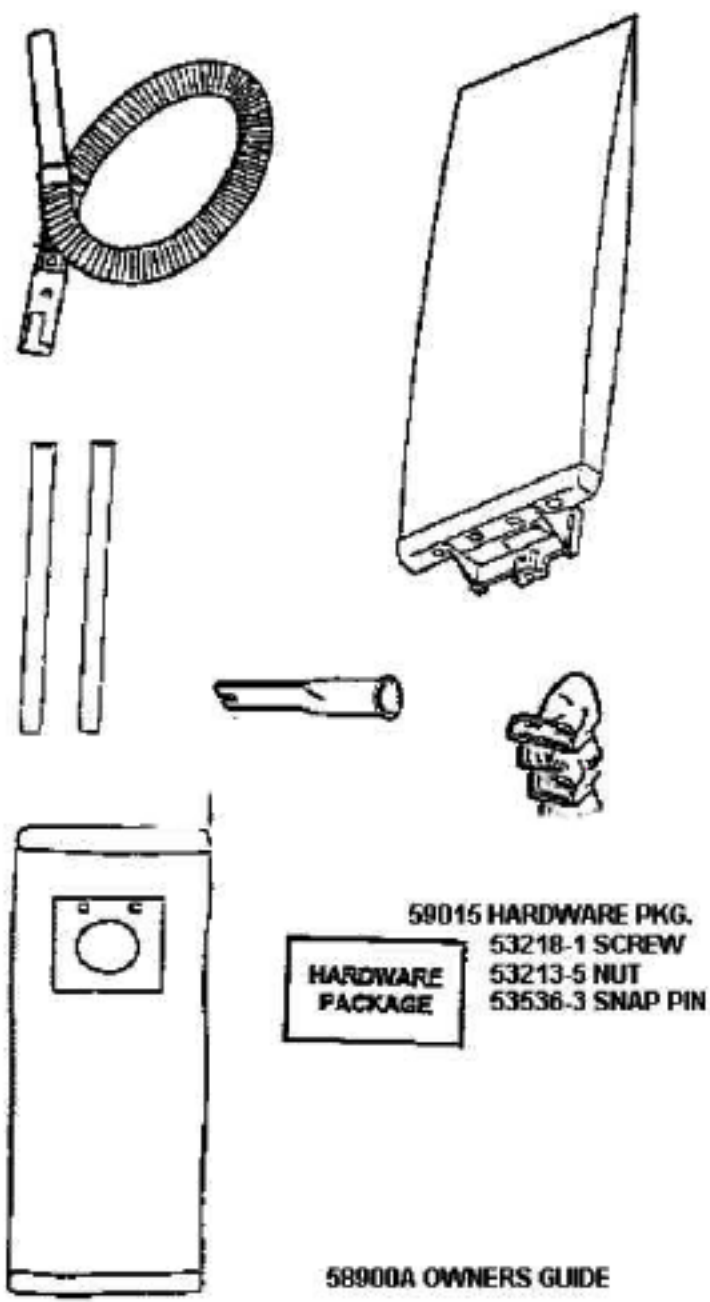
64376-1 SCROLL ASSY



54374-2 FAN COVER ASSY
67948-1 GASKET SET



Ref #	Part	Description	Comments	Qty
1	13740-6	SWITCH ASSEMBLY		
2	27185	IMPELLER		
3	27171	GASKET		
4	53238-18	SCREW PACKAGE		
5	53238-38	SCREW PACKAGE		
6	54383	MOTOR ASSEMBLY - PKGD		
7	54374-2	FAN COVER - PACKAGED		
8	54375-1	SCROLL ASSY - PKG		
9	54406	PLUG- PACKAGE 10		
10	54413	PACKAGE-5 HEX JAM NUT		
11	54472-1	BRUSH HOLDER & BRUSH ASSY		
12	54811	FAN WASHER - PACKAGED		
13	55446	NUT - SWITCH		
14	57949-1	GASKET		
15	60106	INTERNAL LOCKWASHER - PKG		



**HARDWARE
PACKAGE**

59015 HARDWARE PKG.
53218-1 SCREW
53213-5 NUT
53536-3 SNAP PIN

58900A OWNERS GUIDE

59010 ASSY INSTRUCTIONS

Qty	Part	Description	Comments	Qty
1	53213-5	NUTS - PACKAGE 10		
2	53218-1	SCREW PACKAGE		
3	53536-3	SNAP PIN - PACKAGED		
4	54310	PAPER BAG PKG ASSY STYLE		
5	54323-4	HOSE ASSEMBLY - CARTONED		
6	54723	WAND - STRAIGHT		
7	54780	TOOL - CREVICE		
8	54784	COMBINATION TOOL - PACKAG		
9	59015	HARDWARE PACKAGE		
10	60208-2	BAG ASSY - CTND		