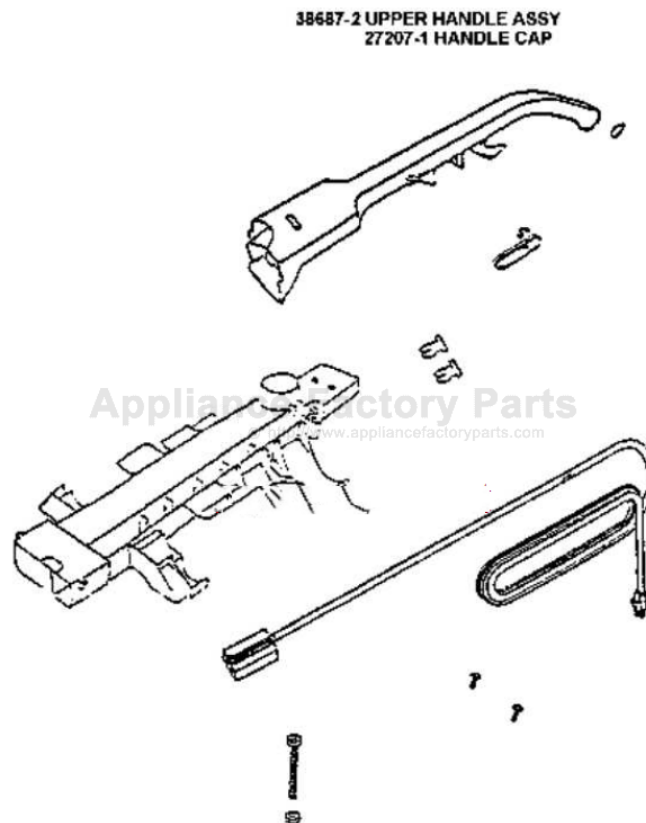


This Owner's Manual is provided and hosted by Appliance Factory Parts.



Eureka 7626ATH Owner's Manual

[Shop genuine replacement parts for Eureka 7626ATH](#)



[Find Your Eureka Vacuum Cleaner Parts - Select From 855 Models](#)

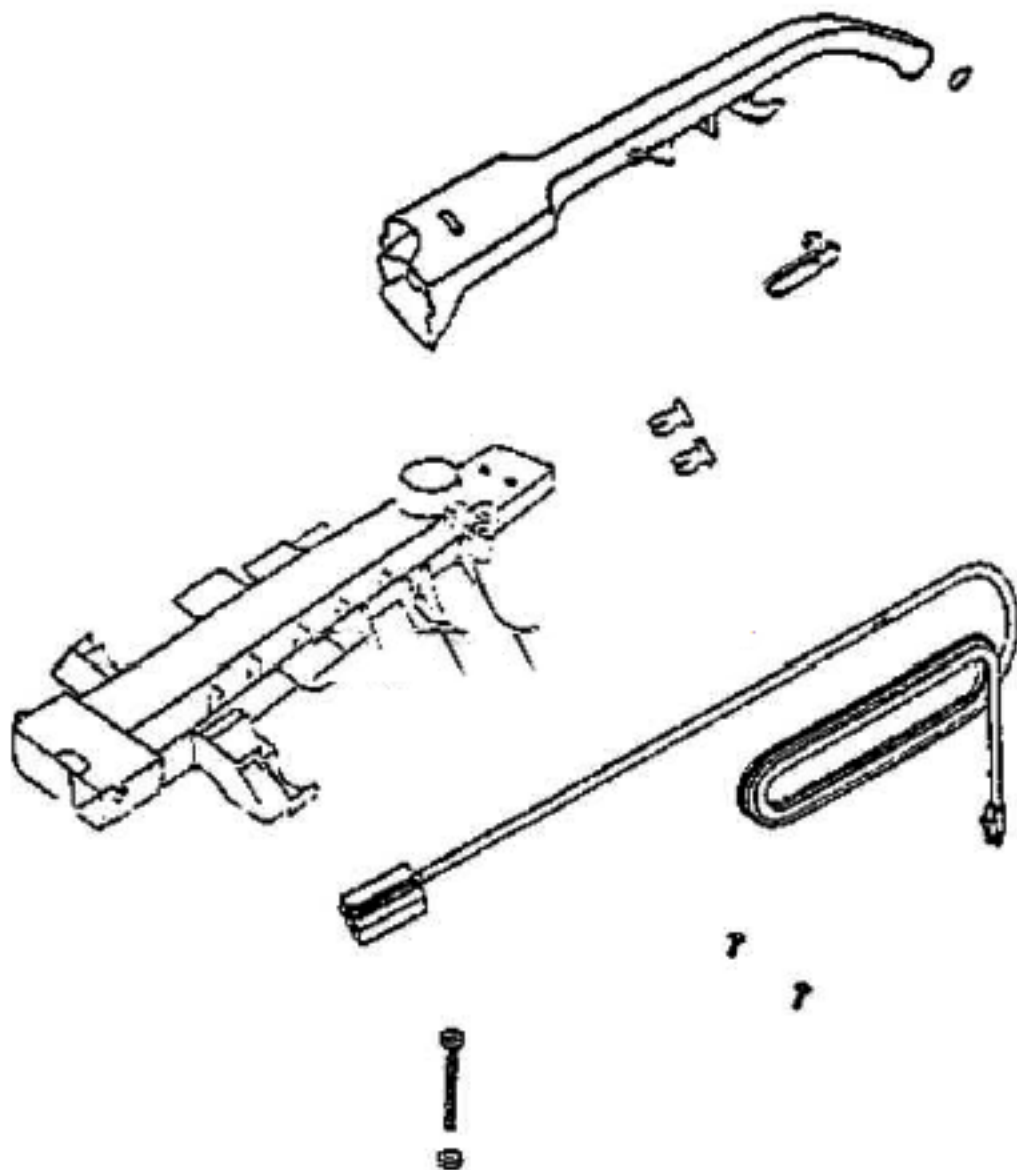
----- Manual continues below part list -----

Available Replacement Parts for Eureka 7626ATH

[ER-2017](#)

BRUSH ROLLER ROLL 54325-1

38687-2 UPPER HANDLE ASSY
27207-1 HANDLE CAP



Ref #	Part	Description	Comments	Qty
1	02193A-119N	HANDLE - LOWER		
2	26317B-3	RELEASE - CORD		
3	27207-1	CAP - HANDLE		
4	27682-1	CORD & PLUG ASSEMBLY		
5	38687-2	UPPER HANDLE ASSEMBLY		
6	53213-5	NUTS - PACKAGE 10		
7	53218-1	SCREW PACKAGE		
8	53238-13	SCREW PACKAGE		
9	53536-3	SNAP PIN - PACKAGED		

60162-2 HOOD & GRAPHICS ASSY

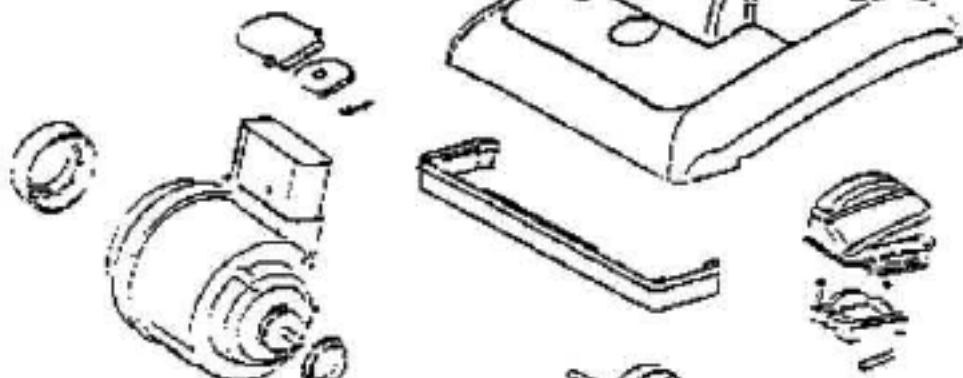
38822 ATTACHMENT DOOR & GASKET

58890 GASKET

53076-2 SPRING

38822 ATTACHMENT DOOR & GASKET

58890 GASKET



54379-93 MOTOR ASSY

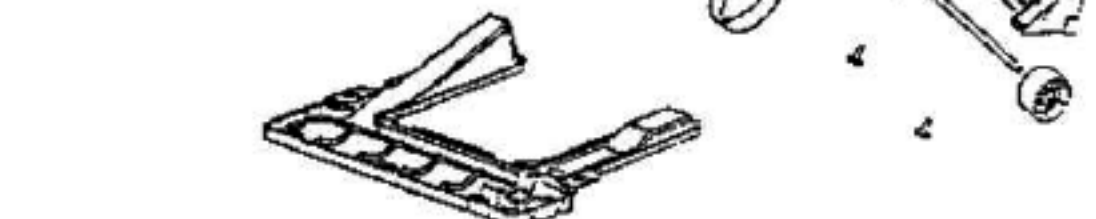
27815A LARGE MOTOR MOUNT

58815 SMALL MOTOR MOUNT



60279-1 DISTURBULATOR ASSY

27759 DISTURBULATOR CAP

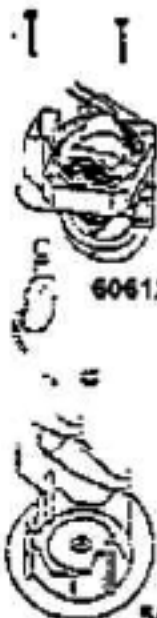
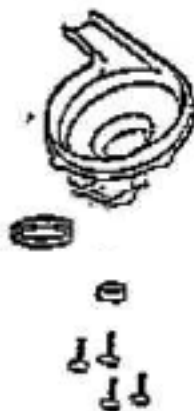


Ref #	Part	Description	Comments	Qty
1	02201B-119N	PLATE - BOTTOM		
2	15325-288N	GUARD - FURNITURE		
3	15344A-313N	BRACKET - MOTOR		
4	27759	CAP - DISTURBULATOR		
5	27793-119N	CARRIAGE		
6	27794-288N	WHEEL - REAR		
7	27795-288N	KNOB		
8	27796-288N	PEDAL - SWITCH		
9	27799-288N	RELEASE - HANDLE		
10	27815A	MOUNT - MOTOR (LARGE)		
11	38236A-119N	WHEEL - FRONT		
12	38819	FOAM MUFFLER		
13	38820	MUFFLER SCREEN		
14	38822	ATTACHMENT DOOR & GASKET		
15	53076-2	SPRING & AXLE PACKAGE (G)		
16	53197-3	SCREW PACKAGE		
17	54312	BELT PACKAGE ASSEMBLY (U)		
18	54379-93	MOTOR ASSEMBLY - PKGD		
19	57567-1	AXLE - WHEEL		
20	58814	REAR AXLE		
21	58815	SMALL MOTOR MOUNT		
22	58890	DOOR GASKET		
23	60160	SCREW PACKAGE 10		
24	60162-2	HOOD & GRAPHICS ASSY - PK		
25	60163-1	BASE ASSEMBLY - PACKAGED		
26	60279-1	DISTURBULATOR ASSY - CTND		

54363-2 ARMATURE & MOTOR BRUSH KIT WITH BEARINGS
 54472-1 BRUSH HOLDER & BRUSH ASSY



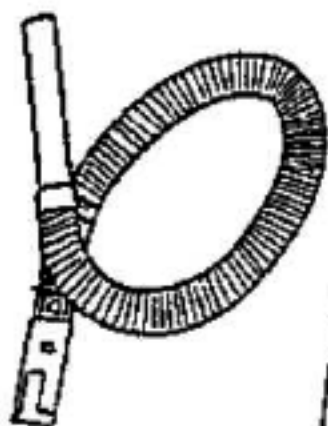
54374-3 FAN COVER ASSY
 57949-1 GASKET SET



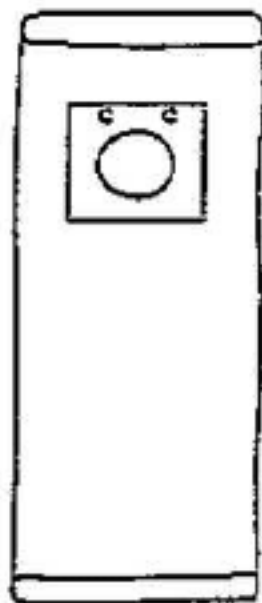
60612-1 FIELD ASSY
 15376-6 SWITCH ASSY
 MOTOR BRUSH
 BRUSH SPRING
 BRUSH HOLDER

54375-1 SCROLL ASSY
 57949-1 GASKET SET

Ref #	Part	Description	Comments	Qty
1	15376-6	SWITCH ASSEMBLY		
2	27171	GASKET		
3	27531	IMPELLER		
4	53238-18	SCREW PACKAGE		
5	53238-38	SCREW PACKAGE		
6	54363-2	MOTOR ASSEMBLY - PKGD		
7	54374-3	FAN COVER - PACKAGED		
8	54375-1	SCROLL ASSY - PRG		
9	54406	PLUG- PACKAGE 10		
10	54413	PACKAGE-5 HEX JAM NUT		
11	54472-1	BRUSH HOLDER & BRUSH ASSY		
12	54811	FAN WASHER - PACKAGED		
13	57949-1	GASKET		
14	60106	INTERNAL LOCKWASHER - PKG		
15	60165	RETAINING RING PKG		
16	60612-1	MOTOR ASSEMBLY - PKGD		



60208-8 BAG ASSY COMPLETE
14768-2 LOWER BAG SUPPORT



HARDWARE
5900A IA 3
59010A ASSEMBLY INSTRUCTIONS



HARDWARE
PACKAGE

58900A OWNERS GUIDE



59015 HARDWARE PKG
53218-1 SCREW
53213-6 NUT
53536-3 SNAP PIN

Ref #	Part	Description	Comments	Qty
1	14768-2	BAG SUPPORT - LOWER		
2	53213-5	NUTS - PACKAGE 10		
3	53218-1	SCREW PACKAGE		
4	53536-3	SNAP PIN - PACKAGED		
5	54323-4	HOSE ASSEMBLY - CARTONED		
6	54723	WAND - STRAIGHT		
7	54780	TOOL - CREVICE		
8	54784	COMBINATION TOOL - PACKAG		
9	57802	PAPER BAG PKG ASSY (STYLE		
10	59015	HARDWARE PACKAGE		
11	60208-8	CLOTH BAG ASSY - CTND		