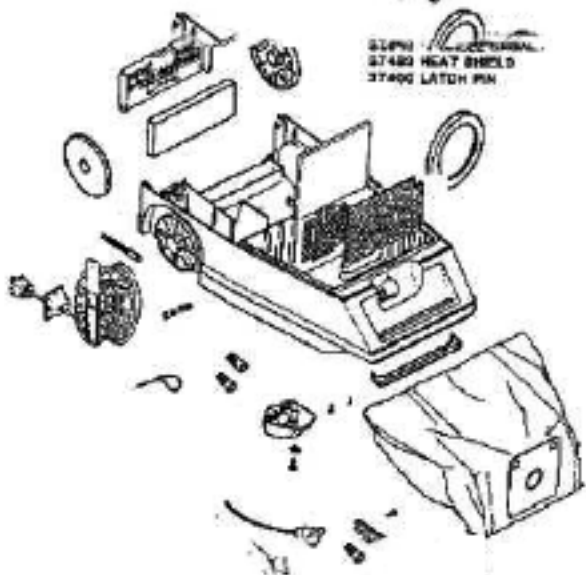


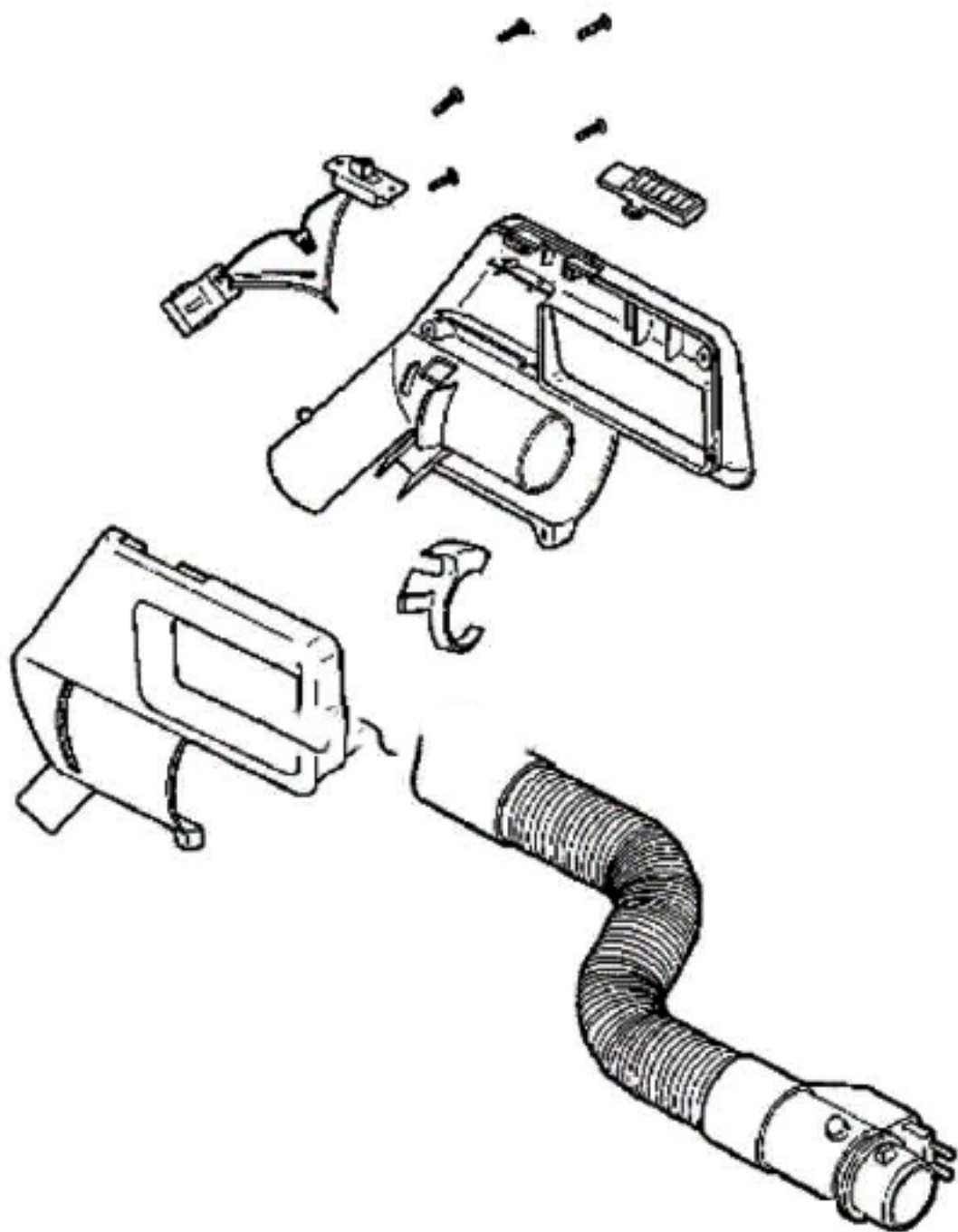
13292-01 TOOL PAK ASS'Y.
85818-2 SHELL GASKET



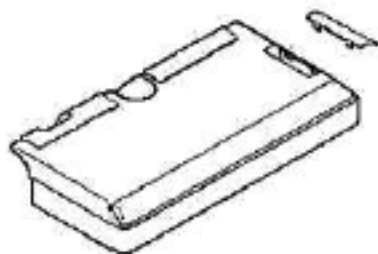
81492 HEAT SHIELD
37480 LATCH PIN



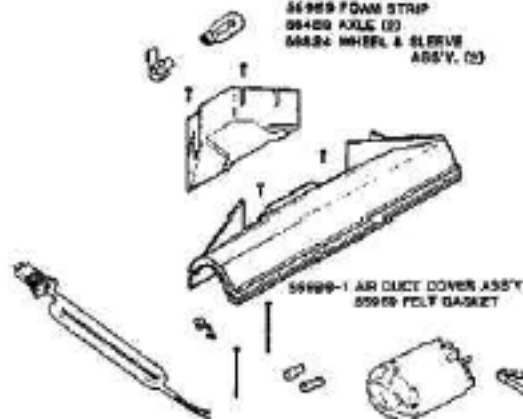
| Ref # | Part | Description | Comments | Qty |
|-------|-------------|---------------------------|----------|-----|
| 1 | 13890-1 | COVER - TOOL PAK - PACKAG | | |
| 2 | 14110-1 | COVER - BOTTOM | | |
| 3 | 26440-3 | WHEEL - REAR | | |
| 4 | 26442A-5 | BUTTON - CORD REEL | | |
| 5 | 26443A-5 | BUTTON - SWITCH | | |
| 6 | 26450-1 | GUIDE - CORD | | |
| 7 | 26651-6 | CONNECTOR ASSEMBLY | | |
| 8 | 26663-1 | HANDLE - LOWER | | |
| 9 | 26673 | MOTOR ASSEMBLY - PACKAGED | | |
| 10 | 37402 | EXHAUST FILTER | | |
| 11 | 37403-1 | CASTER | | |
| 12 | 37408 | SOUND FOAM | | |
| 13 | 37483 | HEAT SHIELD | | |
| 14 | 37788 | MOTOR FILTER | | |
| 15 | 42797 | SPRING - CARPET NOZZLE | | |
| 16 | 52358 | PAPER BAG - STYLE V | | |
| 17 | 53141 | TIE - CABLE | | |
| 18 | 53197-1 | SCREW PACKAGE | | |
| 19 | 53214-1 | WIRE SPLICE 5 | | |
| 20 | 53238-11 | SCREW PACKAGE | | |
| 21 | 55446 | NUT - SWITCH | | |
| 22 | 55463 | GASKET - MOTOR STACK | | |
| 23 | 55919-1 | GASKET - SHELL | | |
| 24 | 55919-2 | GASKET - SHELL | | |
| 25 | 55940-1 | CLIP - FURNITURE GUARD | | |
| 26 | 56146 | THERMOSTAT | | |
| 27 | 56235-6 | EXHAUST COVER ASSEMBLY | | |
| 28 | 56250 | MOTOR CLIP | | |
| 29 | 56376 | WASHER | | |
| 30 | EW22-37 | WIRE SPLICE 5 | | |
| 31 | EW312-8T8ZP | SCREW PACKAGE | | |



| Ref # | Part | Description | Comments | Qty |
|-------|---------|---------------------------|----------|-----|
| 1 | 37774-1 | SWITCH & CONNECTOR ASSY | | |
| 2 | 37789-1 | COVER - BLEEDER | | |
| 3 | 38124-1 | COVER & GRAPHICS ASSEMBLY | | |
| 4 | 53257-1 | SCREWS - PACKAGE 10 | | |
| 5 | 54009-2 | HANDLE ASSY 2 WIRE (PACKA | | |
| 6 | 56579-1 | HOSE (Without Handle) | | |

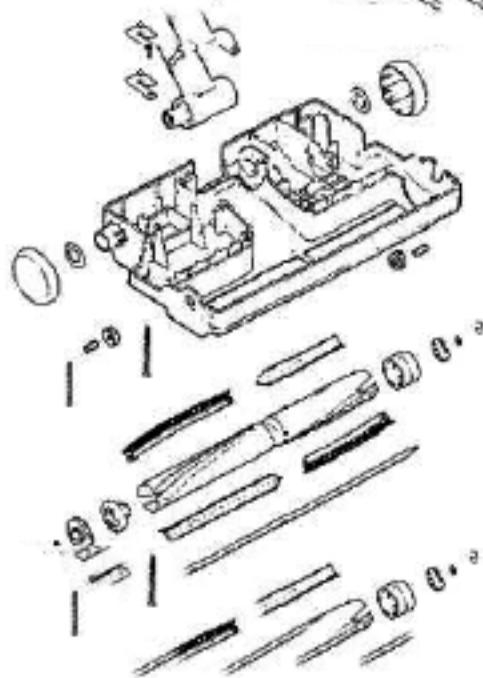


55250-1 DIS-TURBULATOR COVER ASS'Y.
 55932-1 FELT GASKET
 56989 FOM STRIP
 56488 AXLE (2)
 56824 WHEEL & SLEEV
 ASS'Y. (2)



56989-1 AIR DUCT COVER ASS'Y
 55932 FELT GASKET

56877-1 POWERHEAD BAG ASS'Y. (INCLUDES)



| Ref # | Part | Description | Comments | Qty |
|-------|----------|---------------------------|----------|-----|
| 1 | 13650 | TUBE - DISTURBULATOR | | |
| 2 | 26159-7 | MOTOR ASSEMBLY - CARTONED | | |
| 3 | 26469-1 | WINDOW - BELT | | |
| 4 | 26590-2 | DISTURBULATOR ASSY - CRTN | | |
| 5 | 37434-5 | WHEEL - REAR | | |
| 6 | 37755-1 | CORD & SPRING ASSEMBLY | | |
| 7 | 40009A | LAMP - HEADLIGHT | | |
| 8 | 52201A | BELT PKG ASSY (PH) | | |
| 9 | 52988-2 | BRISTLE STRIP SET | | |
| 10 | 52995 | DISTURBULATOR REPAIR KIT | | |
| 11 | 53158 | LOCK NUT PACKAGE | | |
| 12 | 53167 | WASHER - SHAFT PACKAGE | | |
| 13 | 53190-1 | BUSHING - STRAIN RELIEF-P | | |
| 14 | 53238-18 | SCREW PACKAGE | | |
| 15 | 53238-19 | SCREW PACKAGE | | |
| 16 | 53238-8 | SCREW PACKAGE | | |
| 17 | 53242 | DISTURBULATOR CAP | | |
| 18 | 53243 | CAP - DISTURBULATOR | | |
| 19 | 53824 | 40" CLEAR TUBE W/NUT & LO | | |
| 20 | 54016-2 | POWERHEAD HOOD ASSY - PAC | | |
| 21 | 55968 | GASKET - FELT | | |
| 22 | 55969 | GASKET - FELT | | |
| 23 | 55970 | GASKET - FELT | | |
| 24 | 55971 | GASKET - FELT | | |
| 25 | 55979 | SPRING STRAP | | |
| 26 | 55980 | STRAP | | |
| 27 | 56180 | FELT WASHER | | |
| 28 | 56232-1 | DISTURBULATOR COVER ASSEM | | |
| 29 | 56233-1 | HANDLE SOCKET ASSEMBLY | | |
| 30 | 56489 | AXLE | | |
| 31 | 56677-1 | POWERHEAD BASE ASSY - PAC | | |
| 32 | 56698-1 | AIR DUCT COVER ASSEMBLY | | |
| 33 | 56824 | WHEEL & SLEEVE ASSEMBLY | | |
| 34 | EW22-27 | WIRE SPLICE 5 | | |



37739-1 UPPER WAND ASS'Y.



37737 LOWER WAND ASS'Y.



26082-3 CREVICE TOOL



26002-6 FLOOR & WALL BRUSH



34681-7 UPHOLSTERY NOZZLE
46186 INSERT



45947-7 DUSTING BRUSH
33787 INSERT

| Ref # | Part | Description | Comments | Qty |
|-------|---------|---------------------------|----------|-----|
| 1 | 26002-6 | FLOOR & WL BRUSH & ELBOW- | | |
| 2 | 26082-3 | TOOL - CREVICE | | |
| 3 | 33787 | INSERT - RINGLOCK BRUSH | | |
| 4 | 34691-7 | UPHOLSTERY NOZZLE ASSY - | | |
| 5 | 37737 | WAND - LOWER | | |
| 6 | 37738-1 | UPPER WAND ASSEMBLY | | |
| 7 | 45947-7 | DUSTING BRUSH - PACKAGED | | |
| 8 | 46186 | BRUSH | | |