

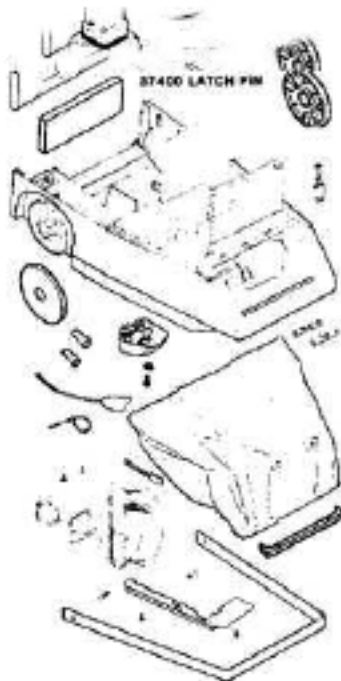
60880-21 FDDL PAN ASS'Y.
86910-2 SHILL GASKET



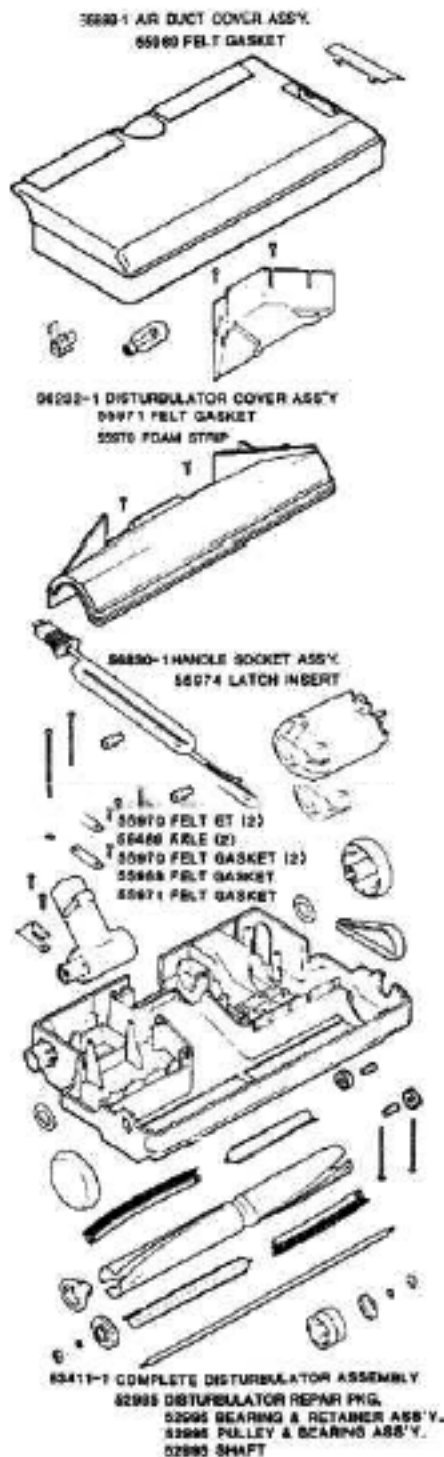
67401-1 LIGHT SWITCH HOSE
86076 WRC



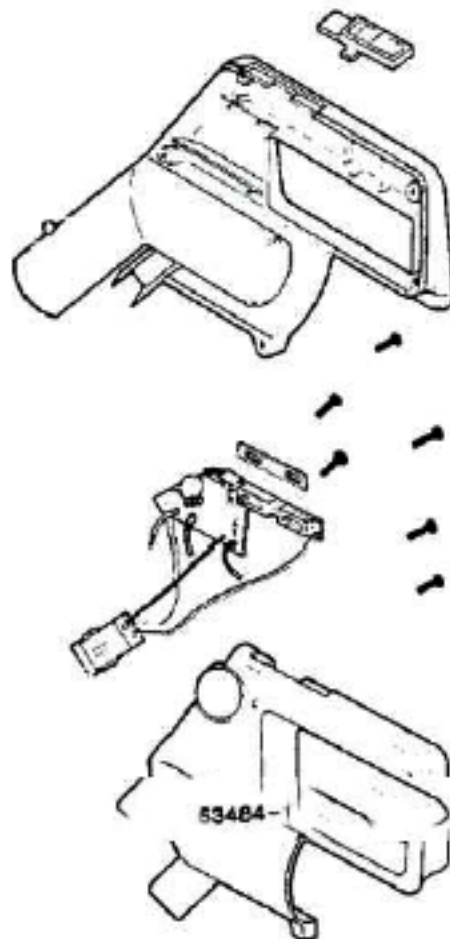
87400 LATCH PIN



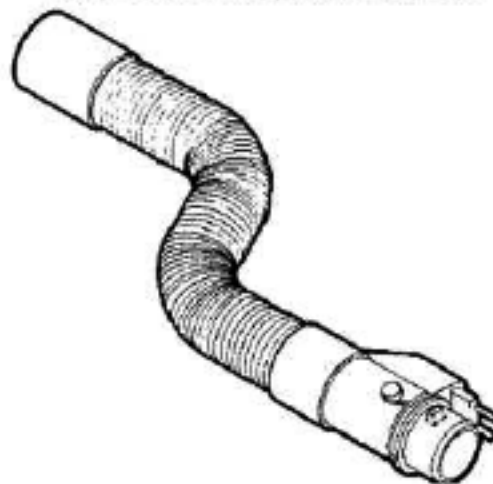
| Ref # | Part | Description | Comments | Qty |
|-------|----------|---------------------------|----------|-----|
| 1 | 14110-4 | COVER - BOTTOM | | |
| 2 | 26442A-3 | BUTTON - CORD REEL | | |
| 3 | 26443A-3 | BUTTON - SWITCH | | |
| 4 | 26450-1 | GUIDE - CORD | | |
| 5 | 26630-1 | SPEED CONTROL ASSEMBLY | | |
| 6 | 26653-4 | HANDLE - LOWER | | |
| 7 | 37402 | EXHAUST FILTER | | |
| 8 | 37403-1 | CASTER | | |
| 9 | 37408 | SOUND FOAM | | |
| 10 | 37483 | HEAT SHIELD | | |
| 11 | 37528-7 | PLUG | | |
| 12 | 37783 | LENS | | |
| 13 | 37785-2 | WHEEL ASSEMBLY | | |
| 14 | 37788 | MOTOR FILTER | | |
| 15 | 42797 | SPRING - CARPET NOZZLE | | |
| 16 | 52358 | PAPER BAG PKG ASSY (STYLE | | |
| 17 | 53141 | TIE - CABLE (PURCHASED) | | |
| 18 | 53197-1 | SCREW PACKAGE | | |
| 19 | 53214-3 | WIRE SPLICE 5 | | |
| 20 | 53228-10 | SCREWS - PACKAGE 10 | | |
| 21 | 53238-8 | SCREW PACKAGE | | |
| 22 | 54274-1 | COVER - TOOL PAK - PACKAG | | |
| 23 | 55446 | NUT - SWITCH | | |
| 24 | 55463 | GASKET - MOTOR STACK | | |
| 25 | 55919-1 | GASKET - SHELL | | |
| 26 | 55919-2 | GASKET - SHELL | | |
| 27 | 55940-1 | CLIP - FURNITURE GUARD | | |
| 28 | 56146 | THERMOSTAT | | |
| 29 | 56235-8 | EXHAUST COVER ASSEMBLY | | |
| 30 | 56376 | WASHER | | |
| 31 | 57491-1 | HOSE - LIGHT SWITCH | | |



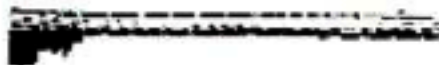
| Ref # | Part | Description | Comments | Qty |
|-------|----------|---------------------------|----------|-----|
| 1 | 13650 | TUBE - DISTURBULATOR | | |
| 2 | 26469-1 | WINDOW - BELT | | |
| 3 | 37434-2 | WHEEL - REAR | | |
| 4 | 37755-1 | CORD & SPRING ASSEMBLY | | |
| 5 | 40009A | LAMP - HEADLIGHT | | |
| 6 | 52201A | BELT PACKAGE ASSY - STYLE | | |
| 7 | 52988-2 | BRISTLE STRIP SET | | |
| 8 | 52995 | DISTURBULATOR REPAIR KIT | | |
| 9 | 53158 | LOCK NUT PACKAGE | | |
| 10 | 53167 | WASHER - SHAFT PACKAGE | | |
| 11 | 53190-1 | BUSHING - STRAIN RELIEF-P | | |
| 12 | 53214-2 | WIRE SPLICE 5 | | |
| 13 | 53238-18 | SCREW PACKAGE | | |
| 14 | 53238-8 | SCREW PACKAGE | | |
| 15 | 53242 | DISTURBULATOR CAP | | |
| 16 | 53243 | CAP - DISTURBULATOR | | |
| 17 | 53411-1 | DISTURBULATOR ASSY - CRTN | | |
| 18 | 53419-2 | MOTOR ASSEMBLY - CARTONED | | |
| 19 | 53866-1 | POWERHEAD BASE ASSY - PAC | | |
| 20 | 54016-3 | POWERHEAD HOOD ASSY - PAC | | |
| 21 | 55968 | GASKET - FELT | | |
| 22 | 55969 | GASKET - FELT | | |
| 23 | 55970 | GASKET - FELT | | |
| 24 | 55971 | GASKET - FELT | | |
| 25 | 55974 | INSERT - LATCH | | |
| 26 | 55979 | SPRING STRAP | | |
| 27 | 55980 | STRAP | | |
| 28 | 56180 | FELT WASHER | | |
| 29 | 56232-1 | DISTURBULATOR COVER ASSEM | | |
| 30 | 56489 | AXLE | | |
| 31 | 56698-1 | AIR DUCT COVER ASSEMBLY | | |
| 32 | 56824 | WHEEL & SLEEVE ASSEMBLY | | |
| 33 | 56830-1 | HANDLE SOCKET & CORD KIT | | |



534B4-1 HOSE ASSEMBLY COMPLETE



| Ref # | Part | Description | Comments | Qty |
|-------|---------|---------------------------|----------|-----|
| 1 | 26709-2 | HANDLE ASSY 3 WIRE (PACKA | | |
| 2 | 53257-1 | SCREWS - PACKAGE 10 | | |
| 3 | 53413-1 | HOSE & COUPLING ASSY - CR | | |
| 4 | 53484-1 | HOSE ASSEMBLY - CARTONED | | |
| 5 | 54009-6 | HANDLE ASSY 3 WIRE (PACKA | | |



37738-1 UPPER WAND ASS'Y.



37737 LOWER WAND ASS'Y.



53440-3 CREVICE TOOL



53467-4 UPHOLSTERY NOZZLE

11187-7 INSERT/ NYLON



53359-3 DUSTING BRUSH

53353389 INSERT

| Ref # | Part | Description | Comments | Qty |
|-------|---------|--------------------------|----------|-----|
| 1 | 37737 | WAND - LOWER | | |
| 2 | 37738-1 | UPPER WAND ASSEMBLY | | |
| 3 | 53359-3 | DUSTING BRUSH - PACKAGED | | |
| 4 | 53440-3 | TOOL - CREVICE | | |
| 5 | 53467-4 | UPHOLSTERY NOZZLE ASSY - | | |