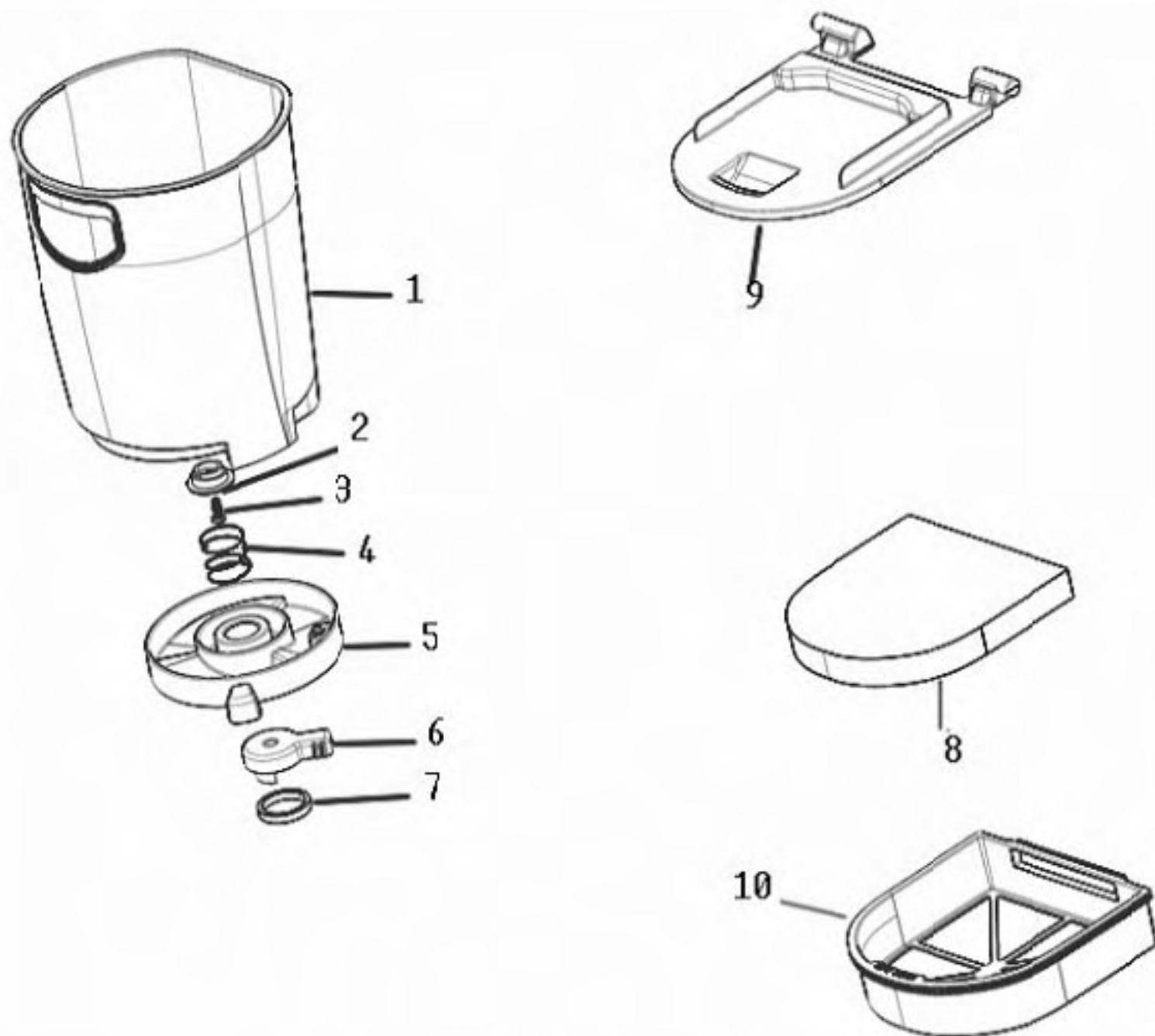
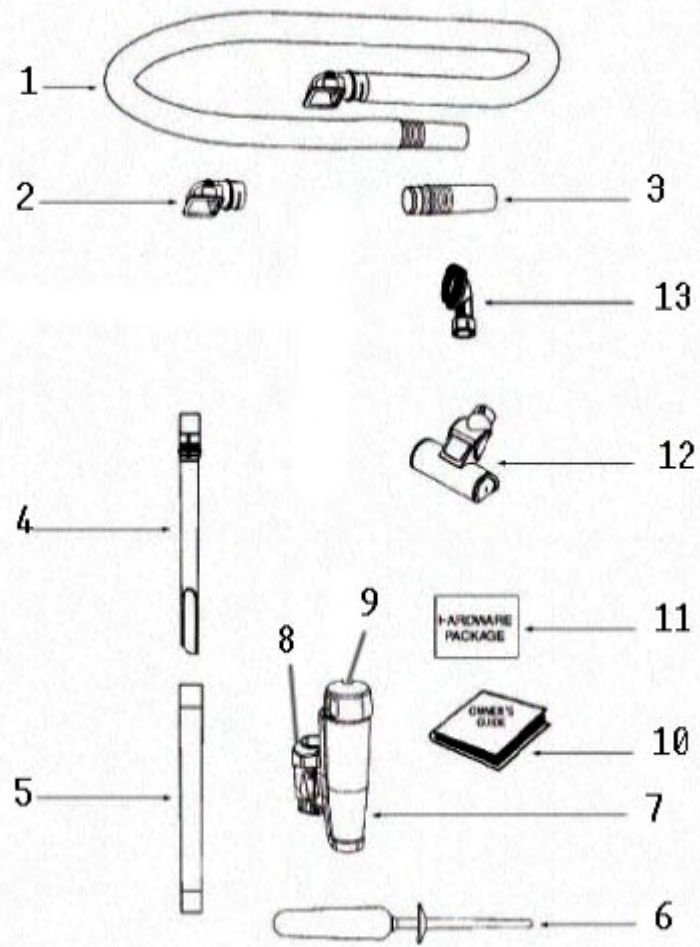


Ref #	Part	Description	Comments	Qty
1	78198-469P	KNOB - HEIGHT ADJUSTMENT		
2	65130-3	HOOD ASSEMBLY - PACKAGED		
3	77682-355N	GUARD - FURNITURE		
4	78009-313N	LENS - BRUSHROLL OVERLOAD		
5	78576	BRUSHROLL OVERLOAD LAMP A		
6	77658	GASKET - FELT		
7	72393	BELT - COGGED		
8	62365-5	BRUSHROLL ASSEMBLY - CRTN		
16	77697-355N	COVER - BRUSHROLL MOTOR		
17	78649	TUBE - BRUSHROLL MOTOR CO		
18	63730	MOTOR & PULLEY ASSEMBLY-C		
22	77656	CLAMP - MOTOR		
23	53238-27	SCREW PACKAGE		
24	59397-4	MICRO SWITCH & BRACKET AS		
25	72401	CIRCUIT PROTECTOR		
26	72514	BRACKET - CIRCUIT PROTECT		
27	65128-1	BASE ASSEMBLY - PACKAGED	comes with parts 10, 11, 12, 13, 14, 15, 19, 20, 21	
28	77657-355N	CLAMP - MOTOR PLASTIC		
29	78002	GASKET - CLAMP		
30	78577	GROMMET - MOTOR CLAMP		
31	78651-355N	ADAPTER - BASE HOSE		
32	77674	HOSE - BASE		
33	53121-1	PUSHNUT PACKAGE (10)		
34	77978-355N	WHEEL OVERMOLD ASSEMBLY		
35	77693	AXLE - FRONT		
36	54943	SPRING PACKAGE		
37	53201-2	AXLE CLAMP - PACKAGED		
38	63310	SCREW PACKAGE		
9	77672-505P			
	53238-8	SCREW PACKAGE	Hood Screws	



Cup & Filter - 8851AVZ

Ref#	Part	Description	Comments	Qty
1	78437-1	DUST CUP & HANDLE ASSEMBL		
2	77586-355N	WASHER - ELEVATOR		
3	63310	SCREW PACKAGE		
4	78166	SPRING - ELEVATOR		
5	77580-506N	ELEVATOR - CUP		
6	77627-333N	CAM - HEPA		
7	78164	GASKET - HEPA CAM		
8	77583			
9	78436	PRE-MOTOR FILTER LID & GA		
10	78434			



Accessories - 8851AVZ

Ref #	Part	Description	Comments	Qty
1	61865-14	HOSE ASSEMBLY - CARTONED		
2	77559-313N	ADAPTER - HOSE (90DEG ELB		
3	78730	HOSE COUPLING (OVERMOLDED		
4	78232-355N	WAND - CREVICE		
5	78231-355N	WAND - OUTER		
6	77560	ELECTROSTATIC DUSTER HAND		
7	77561-506N	CUP - DUSTER		
8	65134	DUSTER VALVE ASSEMBLY		
9	77562-489N	AIR INLET - DUSTER		
10	78572			
11	53238-27	SCREW PACKAGE		
12	77555-1	TURBO NOZZLE ASSEMBLY		
13	39379-1	COMBINATION BRSH BRSTLD-C		