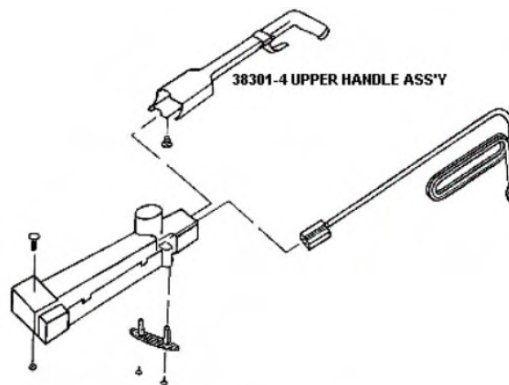


This Owner's Manual is provided and hosted by [Appliance Factory Parts](http://ApplianceFactoryParts.com).

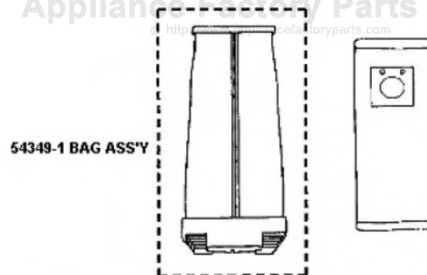


# Eureka 9334AT Owner's Manual

[Shop genuine replacement parts for Eureka 9334AT](#)



Appliance Factory Parts  
<http://appliancefactoryparts.com>

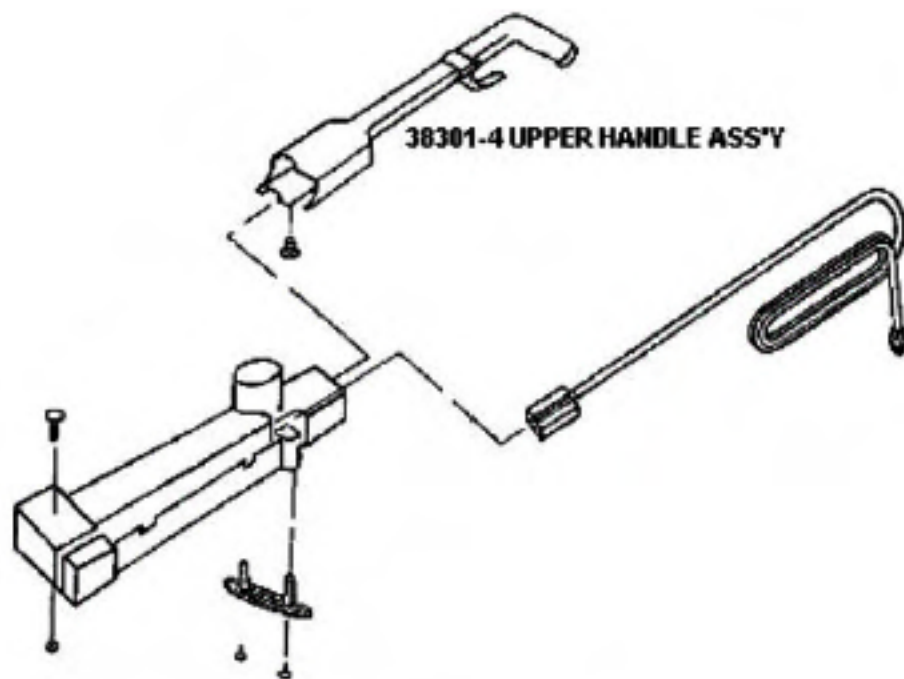


**THE FOLLOWING PARTS ARE NOT ILLUSTRATED:**

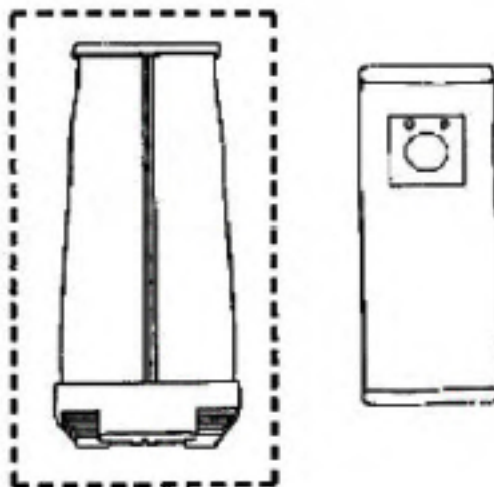
57565 BAG HANGER  
27194-1 BAG CAP  
38238 BOTTOM INSERT  
38316-1 LWR BAG SUPPORT & GRAPHICS  
54383 PUSH-ON NUT  
53238-13 BAG SCREW  
38302-1 HARDWARE PKG.

[Find Your Eureka Vacuum Cleaner Parts - Select From 855 Models](#)

----- Manual continues below -----



54349-1 BAG ASS'Y



**THE FOLLOWING PARTS ARE NOT ILLUSTRATED:**


- 57565 BAG HANGER
- 27194-1 BAG CAP
- 38238 BOTTOM INSERT
- 38316-1 LWR BAG SUPPORT & GRAPHICS
- 54383 PUSH-ON NUT
- 53238-13 BAG SCREW
- 38302-1 HARDWARE PKG.

## PARTS2 - 9334AT

Ref #	Part	Description	Comments	Qty
1	01929-1	HANDLE - LOWER		
2	27172-2	CORD & PLUG ASSEMBLY		
3	27194-1	CAP - BAG		
4	27195-1	HANDLE (NLA)		
5	27207-1	CAP - HANDLE		
6	27306-1	CLIP-HOSE (NLA)		
7	38238	INSERT - BOTTOM		
8	38301-4	UPPER HANDLE ASSEMBLY		
9	38302-1	HDWE PKG		
10	38316-1	BAG SUPPORT LWR (NLA)		
11	53213-5	NUTS - PACKAGE 10		
12	53218-2	SCREW PACKAGE		
13	53238-13	SCREW PACKAGE		
14	53536-3	SNAP PIN - PACKAGED		
15	54310	PAPER BAG PKG ASSY STYLE		
16	54349-1	CLOTH BAG ASSY - CTND		
17	54383	NUT-PUSH ON PKG (55753 (NLA)		
18	57565	HANGER BAG		

HOOD/BASE - 9334AT

---

 ATTACHMENT COVER INCLUDES  
57627 GASKET

HOOD INCLUDES  
54373-1 ATTCH. COVER  
57627 GASKET  
54377 SPRING  
38241-1 KNOB  
27228-1 BELT WIN

DIST. ASSY INCLUDES  
54359 FELT WASHER  
54360 END CAP

BASE ASSY INCLUDES  
57692-1 GASKET  
54376-1 BELT CAP ASSY

CARRIAGE ASSY INC.  
57567-1 AXLE  
38236-1 FRONT WHEELS



## HOOD/BASE - 9334AT

Ref #	Part	Description	Comments	Qty
1	27201-1	WHEEL - REAR		
2	27202-1	RELEASE - HANDLE		
3	27228-1	BELT WINDOW - CL (27228-4)		
4	38236-1	WHEEL - FRONT		
5	38240-1	SLIDE		
6	38241-1	KNOB		
7	38242	AXLE REAR		
8	38243-1	CLAMP - MOTOR		
9	53076-2	SPRING & AXLE PACKAGE (6)		
10	53238-10	SCREW PACKAGE		
11	53238-13	SCREW PACKAGE		
12	54312	BELTS BRAVO U PAK		
13	54324-1	DISTURBULATOR ASSY - CART		
14	54356-1	HOOD CONVERSION KIT		
15	54359	PACKAGE - FELT WASHER		
16	54360	CAP - DISTURBULATOR		
17	54372-1	BASE ASSEMBLY - PACKAGED		
18	54373-1	ATCH & PORT COVER (NLA)		
19	54376-1	BELT CAP & GASKET - PACKA		
20	54377	PACKAGE - SPRING		
21	54379	MOTOR ASSY - PACKAGED		
22	57587-1	AXLE - WHEEL		
23	57627	GASKET		
24	57692-1	GASKET		
25	57762-1	CARRIAGE ASSY (NLA) (NLA)		

MOTOR - 9334AT

---



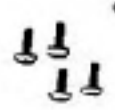
ARMATURE & MOTOR BRUSH  
KIT W/BEARING INCLUDES  
54471-1 BRUSH HOLDER &  
BRUSH ASS'Y



SCROLL ASS'Y INCLUDES  
54386 GASKET



FAN COVER ASS'Y INCLUDES  
54386 GASKET

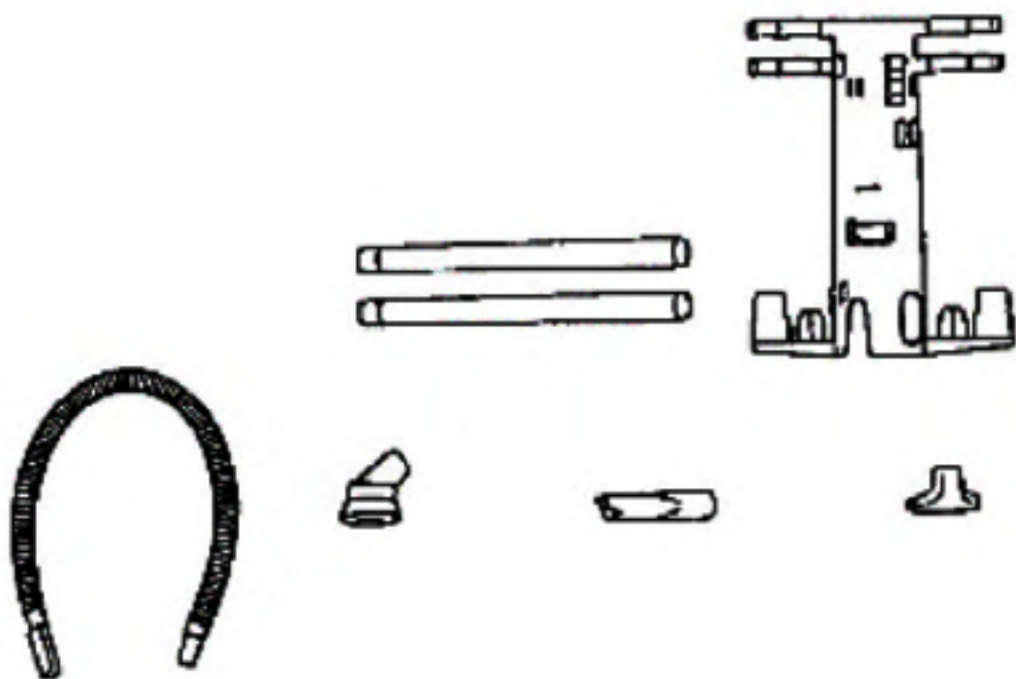


## MOTOR - 9334AT

Ref #	Part	Description	Comments	Qty
1	27165	IMPELLER		
2	27171	GASKET		
3	53238-24	SCREW PACKAGE		
4	53238-25	SCREW PACKAGE		
5	54152-3	SWITCH ASSEMBLY		
6	54363	MOTOR ASSEMBLY - PKGD		
7	54374-1	FAN COVER - PACKAGED		
8	54375-1	Discontinued, use 54375-2		
9	54386	GASKET		
10	54406	PLUG- PACKAGE 10		
11	54413	PACKAGE-5 HEX JAM NUT		
12	54471-1	BRUSH HOLDER & BRUSH ASSY		

ACCESSORIES - 9334AT

---



## ACCESSORIES - 9334AT

Ref #	Part	Description	Comments	Qty
1	01945-1	PAK - TOOL		
2	14070-2	WAND - STRAIGHT		
3	53454-6	UPHOLSTERY NOZZLE ASSY -		
4	53455-4	DUSTING BRUSH - PACKAGED		
5	54308-1	TOOL - CREVICE		
6	54323-1	HOSE ASSEMBLY - CARTONED		