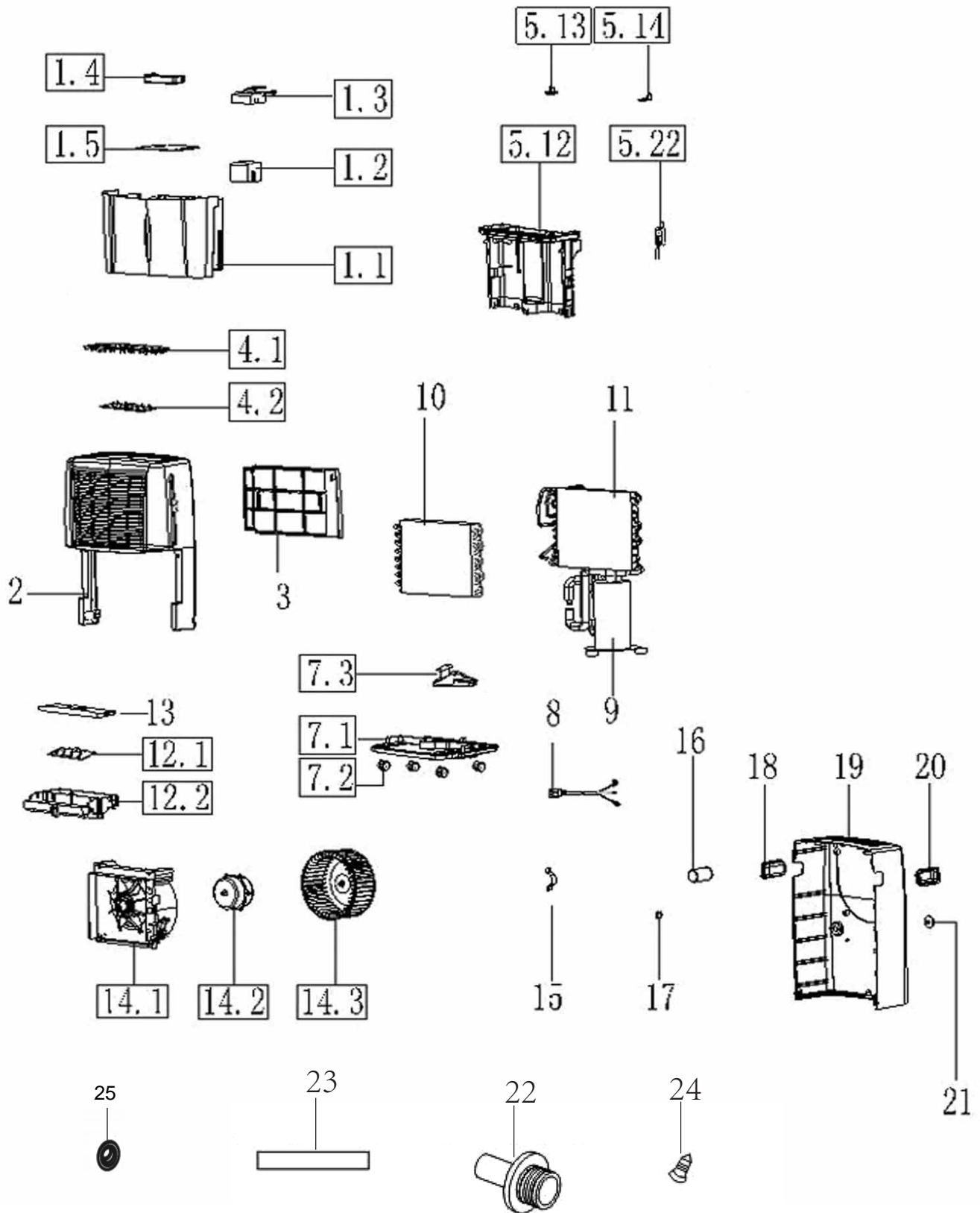


HEAT CONTROLLER, INC.

# **REPLACEMENT PARTS LIST**

**Portable Dehumidifier with R-410A:  
BHD-651-G**

# EXPLODED VIEW



# REPLACEMENT PARTS

Location	Part Name	Quantity	Part No.
1.1	Water tank assembly	1	201126790037
1.2	Dobber	1	202226190005
1.3	Dobber case	1	201126190054
1.4	Handle for water tank	1	201126190053
1.5	Water tank cover	1	201126790038
2	Front panel	1	201126790039
3	Filter	1	201126790030
4.1	Control panel	1	201126790032
4.2	Display board assembly	1	201326590039
5.12	Base pan holder	1	201126690011
5.13	Fixed board, evaporator II	1	201126790043
5.14	Fixed board, evaporator I	1	201126790042
5.22	Micro switch	1	202301830104
7.1	Chassis assembly	1	201126690010
7.2	Universal wheel	4	202726690001
7.3	Bracket,compressor	1	201226190029
8	Power cord	1	202419990003
9	Compressor	1	201402000463
10	Evaporator	1	201526790032
11	Condenser	1	201526790035
12.1	Main control board assembly	1	201326790006
12.2	E-Part box	1	201126790099
13	E-part box cover	1	201126790031
14.1	Scroll	1	201126790148
14.2	Fan motor	1	202400400255
14.3	Centrifugal fan	1	201100120006
15	Capacitor clamp	1	201221290001
16	Compressor capacitor	1	202401090005
17	Capacitor	1	202401100122
18	Right handle	1	201126790033
19	Rear panel	1	201126790035
20	Left handle	1	201126790034
21	Fixing joint for water drain	1	201126590000
22	Drain Adapter	1	201126590000
23	Drain Hose	1	201126590176
24	Drain Adapter Screws	2	202500100294
25	rubber plug	1	202726590003

*Design, specifications, performance data and materials subject to change without notice.*

## HEAT CONTROLLER, INC.

1900 Wellworth Ave., Jackson, Michigan 49203 • Ph. 517-787-2100 • Fax 517-787-9341

[www.heatcontroller.com](http://www.heatcontroller.com)

**THE QUALITY LEADER IN CONDITIONING AIR**