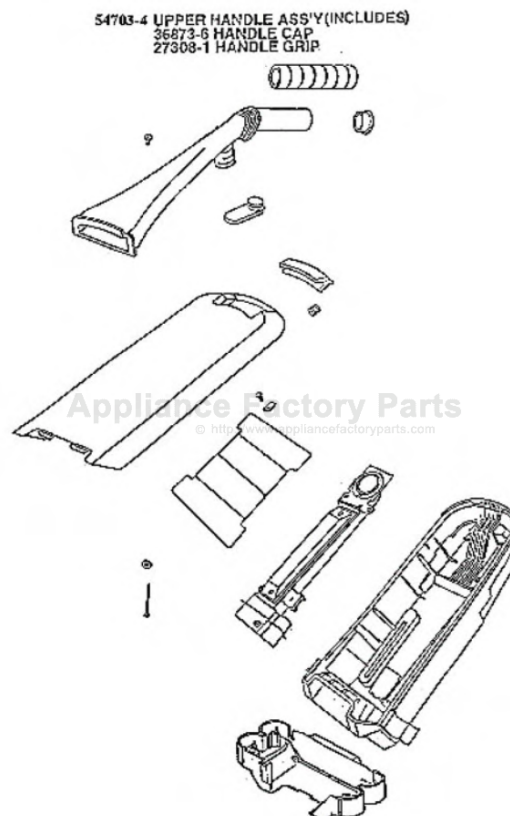


This Owner's Manual is provided and hosted by [Appliance Factory Parts](http://Appliance Factory Parts).



# Eureka 9731AT Owner's Manual

[Shop genuine replacement parts for Eureka 9731AT](#)



[Find Your Eureka Vacuum Cleaner Parts - Select From 855 Models](#)

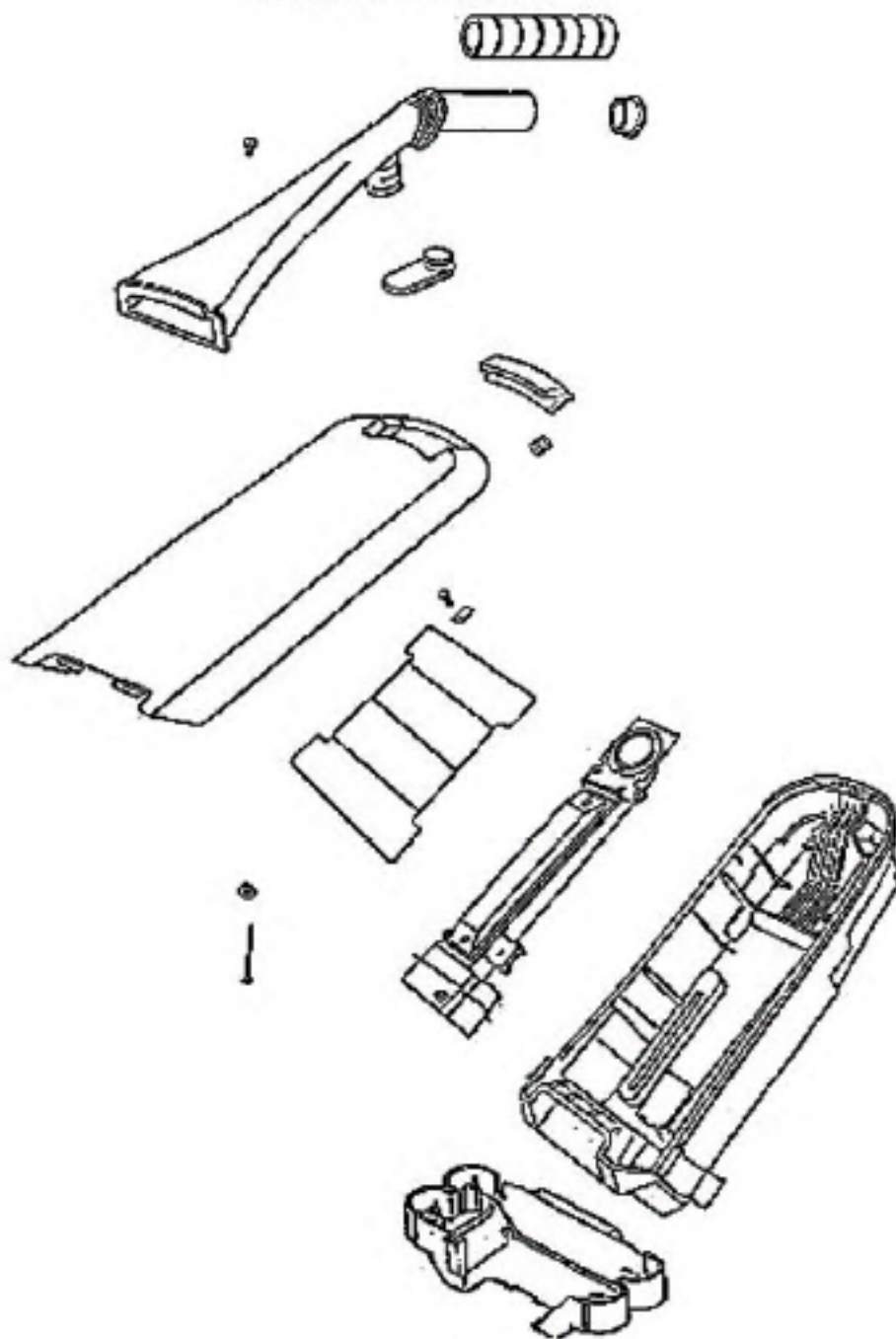
----- Manual continues below part list -----

## Available Replacement Parts for Eureka 9731AT

[ER-2017](#)

BRUSH ROLLER ROLL 54325-1

**54703-4 UPPER HANDLE ASS'Y (INCLUDES)  
36873-6 HANDLE CAP  
27308-1 HANDLE GRIP**

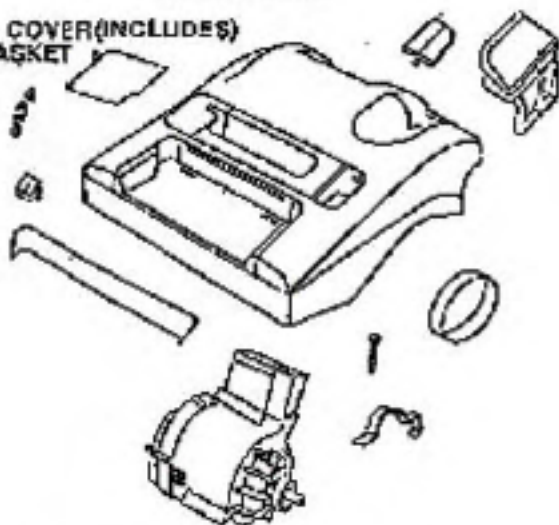


## PARTS3 - 9731AT

Ref #	Part	Description	Comments	Qty
1	02055-1	HOUSING - REAR		
2	14902	SUPPORT-BAG		
3	27308-1	GRIP - HANDLE		
4	36873-6	CAP - HANDLE		
5	37115-4	HOOK - CORD RELEASE		
6	53238-28	SCREW PKG		
7	53238-38	SCREW PACKAGE		
8	54417-1	PACKAGE - CARRIAGE CLIP		
9	54703-4	Discontinued, use 54703-5		
10	56376	WASHER		
11	57767	GASKET		
12	57877	SPRING-LATCH		
13	57918-1	HSGASY-BOTTOM		

54393-9 HOOD & GRAPHICS ASS'Y (INCLUDES)  
27330-5 NAMEPLATE  
27231-2 SWITCH PEDAL  
27249-1 BELT WINDOW  
38241-1 KNOB  
14731-1 LENS

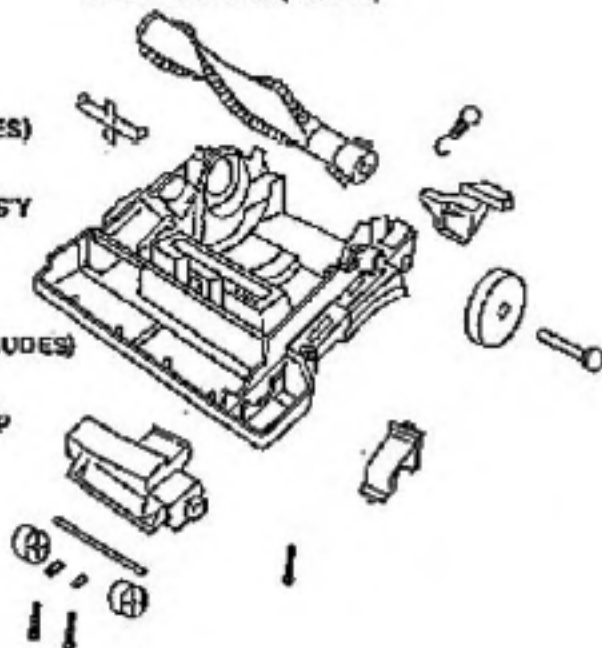
54392-2 ATTACH. COVER (INCLUDES)  
57527 GASKET



54325-1 DISTURBULATOR ASS'Y (INCLUDES)  
54359 FELT WASHER  
27209 DIST. CAP (2 USED)

54372-9 BASE ASS'Y (INCLUDES)  
38063 BELT GUARD  
57593 GASKET  
54375-1 BELT CAP ASS'Y

57762-1 CARRIAGE ASS'Y (INCLUDES)  
57567-1 AXLE  
38236-1 FRONT WHEEL  
54417-1 CARRIAGE CLIP



## PARTS1 - 9731AT

Ref #	Part	Description	Comments	Qty
1	14731-1	LENS (CLEAR)		
2	27201-2	WHEEL/BUSHING PACKAGE		
3	27202A-1	RELEASE - HANDLE		
4	27249-1	WINDOW BELT (NLA)		
5	27251-2	Discontinued, use 27251-1		
6	27330-5	NAMEPLATE - POWERLINE (ST)		
7	38063	GUARD - BELT		
8	38236-1	WHEEL - FRONT		
9	38240-1	SLIDE		
10	38241-1	KNOB		
11	38242	AXLE REAR		
12	38243-1	CLAMP - MOTOR		
13	53076-2	SPRING & AXLE PACKAGE (6)		
14	53238-13	SCREW PACKAGE		
15	54325-1	DISTURBULATOR ASSY - CART		
16	54359	PACKAGE - FELT WASHER		
17	54372-9	BASE ASSEMBLY - PACKAGED		
18	54376-1	BELT CAP & GASKET - PACKA		
19	54377	PACKAGE - SPRING		
20	54379-20	MOTOR ASSEMBLY - PRGD		
21	54392-2	ATCH & PORT COVER		
22	54393-9	HOOD CONVERSION KIT		
23	54417-1	PACKAGE - CARRIAGE CLIP		
24	54669	SCREW PACKAGE		
25	57567-1	AXLE - WHEEL		
26	57627	GASKET		
27	57692	GASKET		
28	57762-1	CARRIAGE ASSY (NLA) (NLA)		

54363-5 ARMATURE & MOTOR BRUSH KIT W/ BEARING (INCLUDES)  
54472-1 BRUSH HOLDER AND BRUSH ASS'Y



54715-1 FIELD ASS'Y (INCLUDES)  
MOTOR BRUSH (2)  
BRUSH SPRING (2)  
BRUSH HOLDER (1)  
54716-1 SWITCH



54375-1 SCROLL ASS'Y (INCLUDES)  
57949-1 GASKET SET



54374-2 FAN COVER (INCLUDES)  
57949-1 GASKET SET



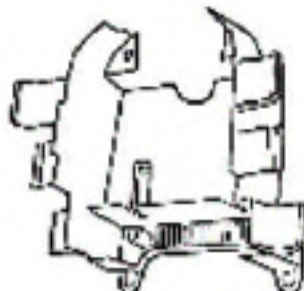
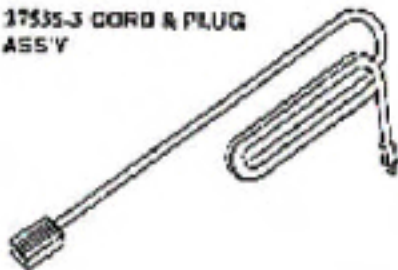
## PARTS2 - 9731AT

Ref #	Part	Description	Comments	Qty
1	27171	GASKET		
2	27531	IMPELLER		
3	53238-24	SCREW PACKAGE		
4	53238-25	SCREW PACKAGE		
5	54363-5	MOTOR ASSEMBLY - PKGD		
6	54374-2	Discontinued, use 54374-3		
7	54375-1	Discontinued, use 54375-2		
8	54379-20	MOTOR ASSEMBLY - PKGD		
9	54406	PLUG- PACKAGE 10		
10	54413	PACKAGE-5 HEX JAM NUT		
11	54472-1	BRUSH HOLDER & BRUSH ASSY		
12	54716-1	SWITCH ASSEMBLY		
13	57949-1	GASKET		

ACCESSORIES - 9731AT

---

17535-3 CORD & PLUG  
ASS'Y



01657-1 TOOL PAK

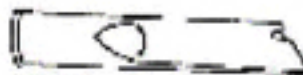
57802 PKG. OF 3 STYLE "U"  
FILTERABLE DISPOSABLE  
DUST BAGS



54699-1 HOSE



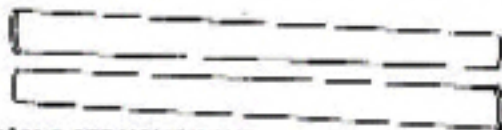
54586-1  
UPHOLSTERY NOZZLE



54355-3  
CREVICE TOOL



54505-1  
DUSTING BRUSH



11070-3 STRAIGHT WAND

58377 HARDWARE PKG.  
1) BELT  
2) SCREW

## ACCESSORIES - 9731AT

Ref #	Part	Description	Comments	Qty
1	14070-3	WAND - STRAIGHT		
2	27535-3	CORD & PLUG ASSEMBLY		
3	54355-3	TOOL - CREVICE		
4	54505-1	DUSTING BRUSH - PACKAGED		
5	54506-1	UPHOLSTERY NOZZLE ASSEMBL		
6	54699-1	HOSE ASSEMBLY - CARTONED		
7	57802	U FILTERAIRE PKG		
8	58377	HARDWARE PKG		