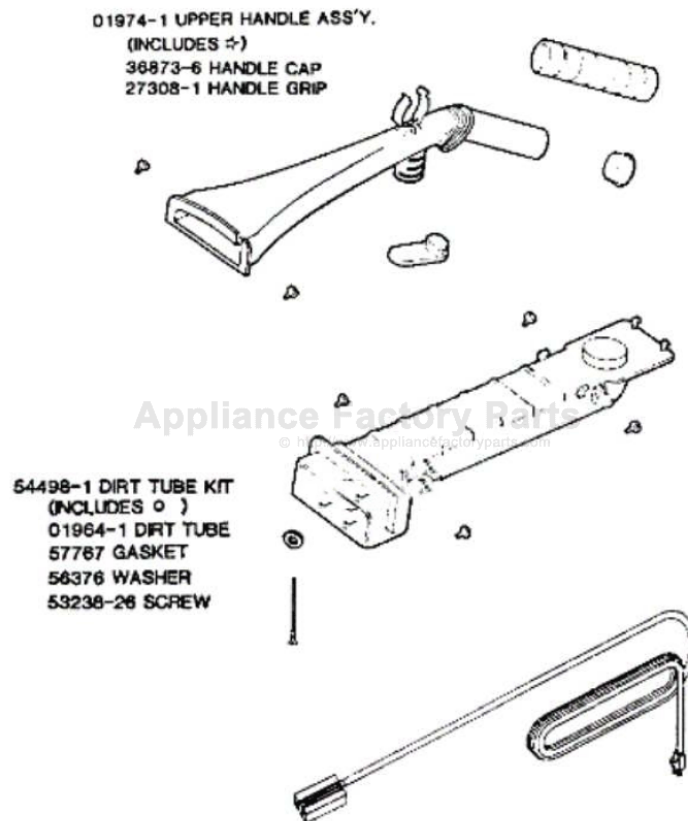


This Owner's Manual is provided and hosted by [Appliance Factory Parts](http://ApplianceFactoryParts.com).



Eureka 9740AT Owner's Manual

[Shop genuine replacement parts for Eureka 9740AT](#)



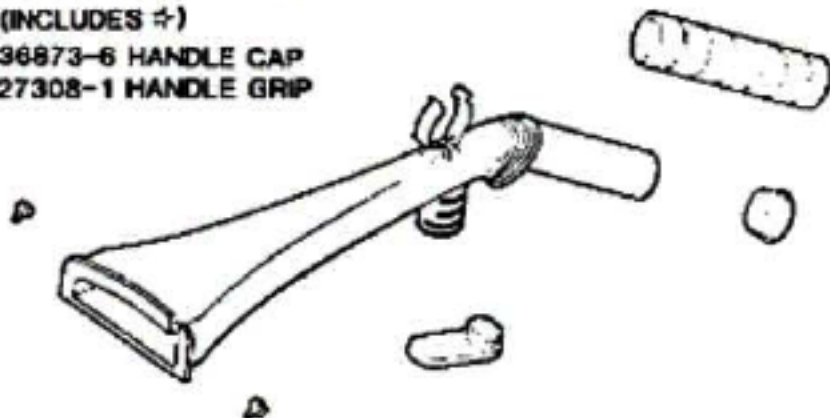
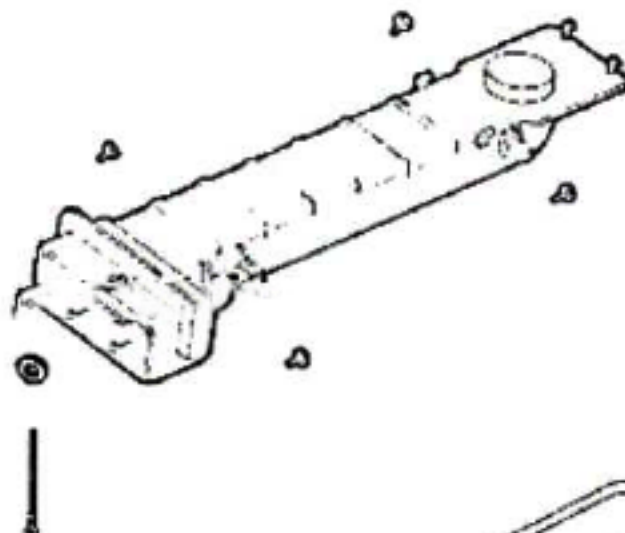
[Find Your Eureka Vacuum Cleaner Parts - Select From 855 Models](#)

----- Manual continues below part list -----

Available Replacement Parts for Eureka 9740AT

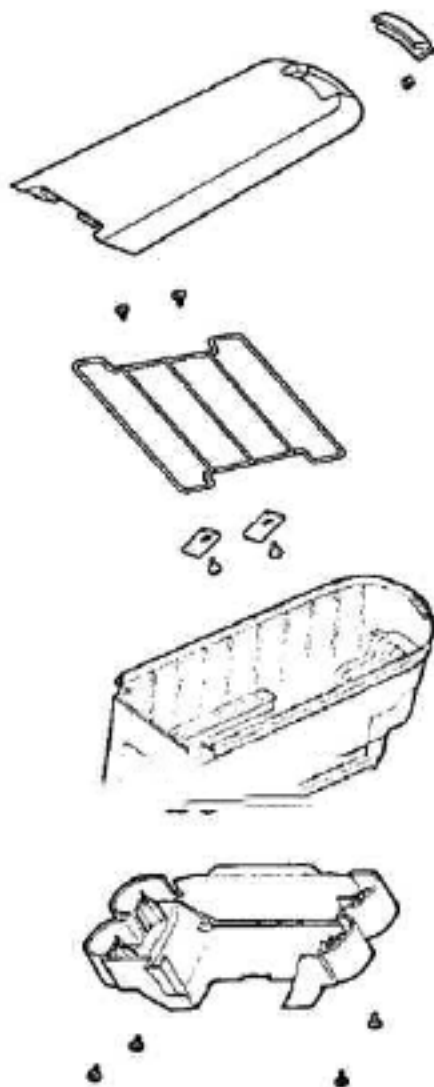
[ER-2017](#)

BRUSH ROLLER ROLL 54325-1

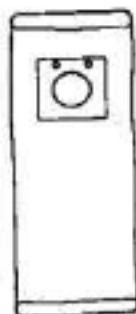
01974-1 UPPER HANDLE ASS'Y.**(INCLUDES ⇨)****36873-6 HANDLE CAP****27308-1 HANDLE GRIP****54498-1 DIRT TUBE KIT****(INCLUDES ○)****01964-1 DIRT TUBE****57767 GASKET****56376 WASHER****53238-26 SCREW**

PARTS4 - 9740AT

Ref #	Part	Description	Comments	Qty
1	01964-1	KIT - DIRT TUBE		
2	01974-1	HANDLE ASSY - UPPER PACKA		
3	27172-5	CORD & PLUG ASSEMBLY		
4	27308-1	GRIP - HANDLE		
5	36873-6	CAP - HANDLE		
6	37115-4	HOOK - CORD RELEASE		
7	53238-24	SCREW PACKAGE		
8	53238-26	SCREW PACKAGE		
9	54498-1	KIT - DIRT TUBE		
10	56376	WASHER		
11	57767	GASKET		

**35340-1 HARDWARE PACKAGE**

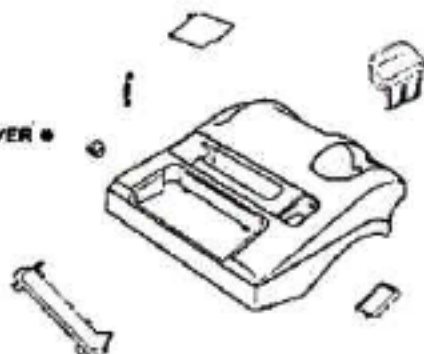
- 1) BELT
- 4) SCREW
- 1) CORD RELEASE HOOK



PARTS3 - 9740AT

Ref #	Part	Description	Comments	Qty
1	01969-1	HOUSING - REAR		
2	01973-2	COVER & GRAPHICS ASSY - P		
3	14902	SUPPORT - BAG		
4	38340-1	HARDWARE PACKAGE		
5	53238-24	SCREW PACKAGE		
6	54417-1	PACKAGE - CARRIAGE CLIP		
7	55827	SCREW PACKAGE 10		
8	57802	PAPER BAG PKG ASSY (STYLE		
9	57877	SPRING - LATCH		
10	57918-1	BOTTOM HOUSING & GRAPHICS		

54393-5 HOOD & GRAPHICS
 (INCLUDES *)
 27339-1 NAMEPLATE *
 27249-1 BELT WINDOW *
 54382-4 ATTACHMENT COVER *
 (INCLUDES <)
 67627 GASKET
 54377 SPRING *
 38241-1 KNOB *
 14731-1 LENS *



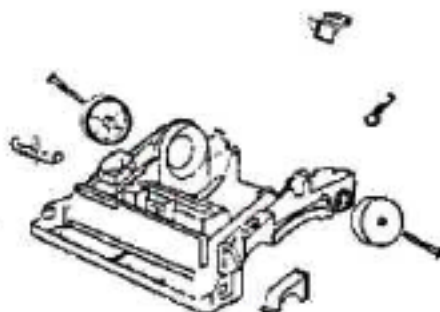
54379-3 MOTOR & HEADLIGHT ASS'Y.
 57868 HEADLIGHT



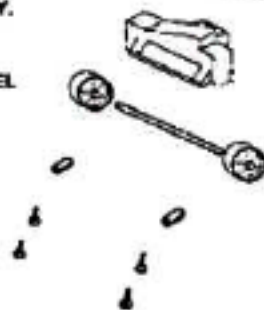
54326-1 DISTURBULATOR ASS'Y.
 (INCLUDES :)
 54359 FELT WASHER
 54360 END CAP



54372-4 BASE ASS'Y.
 (INCLUDES □)
 57892-1 GASKET
 54376-1 BELT CAP ASS'Y.



57782-1 CARRIAGE ASS'Y.
 (INCLUDES ^)
 57567-1 AXLE
 38236-1 FRONT WHEEL



PARTS1 - 9740AT

Ref #	Part	Description	Comments	Qty
1	14731-1	LENS (CLEAR)		
2	27201-2	WHEEL/BUSHING PACKAGE		
3	27202-1	RELEASE - HANDLE		
4	27249-1	WINDOW - BELT (STYLE 3)		
5	27251-2	PEDAL - SWITCH (STYLE 3)		
6	38236-1	WHEEL - FRONT		
7	38240-1	SLIDE		
8	38241-1	KNOB		
9	38242	AXLE - REAR		
10	38243-1	CLAMP - MOTOR		
11	53076-2	SPRING & AXLE PACKAGE (S)		
12	53238-10	SCREW PACKAGE		
13	53238-13	SCREW PACKAGE		
14	54312	BELT PACKAGE ASSEMBLY (U)		
15	54325-1	DISTURBULATOR ASSY - CAR		
16	54359	PACKAGE - FELT WASHER		
17	54360	CAP - DISTURBULATOR		
18	54372-4	BASE ASSEMBLY - PACKAGED		
19	54376-1	BELT CAP & GASKET - PACKA		
20	54377	PACKAGE - SPRING		
21	54379-3	MOTOR ASSEMBLY - PKGD		
22	54382-4	ATTACHMENT PORT COVER ASS		
23	54383-5	HOOD CONVERSION KIT		
24	54417-1	PACKAGE - CARRIAGE CLIP		
25	57567-1	AXLE - WHEEL		
26	57568	This part is obsolete and there is no substitute available.		
27	57627	GASKET		
28	57682-1	GASKET		
29	57762-1	CARRIAGE ASSEMBLY		

54363-2 ARMATURE & MOTOR BRUSH KIT
WITH BEARING
(INCLUDES 1)
54471-1 BRUSH HOLDER &
BRUSH ASS'Y.



54381-4 FIELD ASS'Y.
(INCLUDES 4)
54152-3 SWITCH
MOTOR BRUSH
BRUSH SPRING
BRUSH HOLDER



54375-1 SCROLL ASS'Y.
54386 GASKET SET

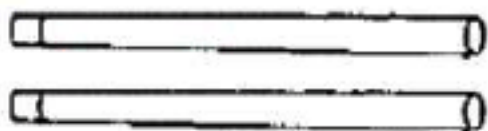
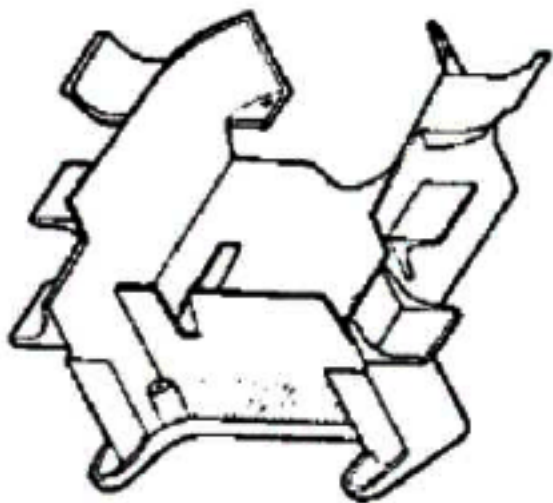


54374-1 FAN COVER ASS'Y.
(INCLUDES 4)
54386 GASKET SET



PARTS2 - 9740AT

Ref #	Part	Description	Comments	Qty
1	27165	IMPELLER		
2	27171	GASKET		
3	53238-24	SCREW PACKAGE		
4	53238-25	SCREW PACKAGE		
5	54152-3	SWITCH ASSEMBLY		
6	54363-2	MOTOR ASSEMBLY - PKGD		
7	54374-1	FAN COVER - PACKAGED		
8	54375-1	SCROLL ASSY - PKG		
9	54379-3	MOTOR ASSEMBLY - PKGD		
10	54386	GASKET		
11	54406	PLUG- PACKAGE 10		
12	54413	PACKAGE-5 HEX JAM NUT		
13	54471-1	BRUSH HOLDER & BRUSH ASSY		



ACCESSORIES - 9740AT

Ref #	Part	Description	Comments	Qty
1	14070-2	WAND - STRAIGHT		
2	53454-6	UPHOLSTERY NOZZLE ASSY -		
3	53455-4	DUSTING BRUSH - PACKAGED		
4	54308-1	TOOL - CREVICE		
5	54323-1	HOSE ASSEMBLY - CARTONED		