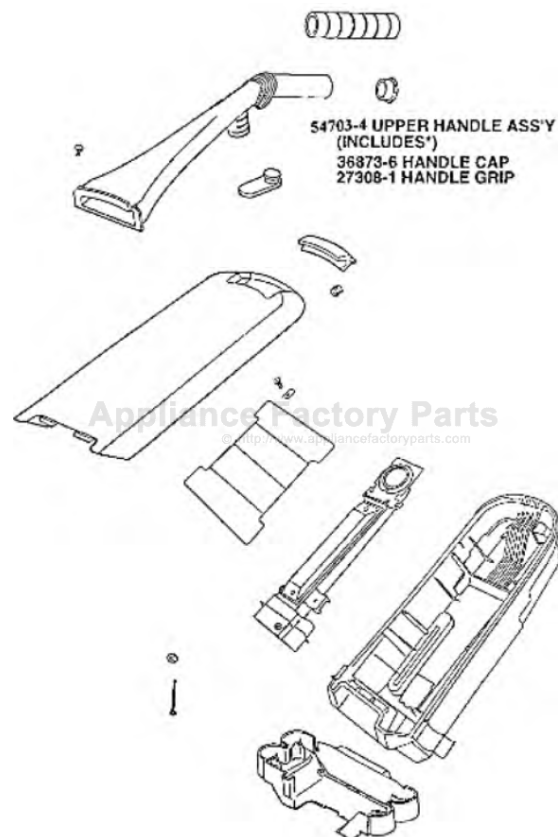


This Owner's Manual is provided and hosted by Appliance Factory Parts.



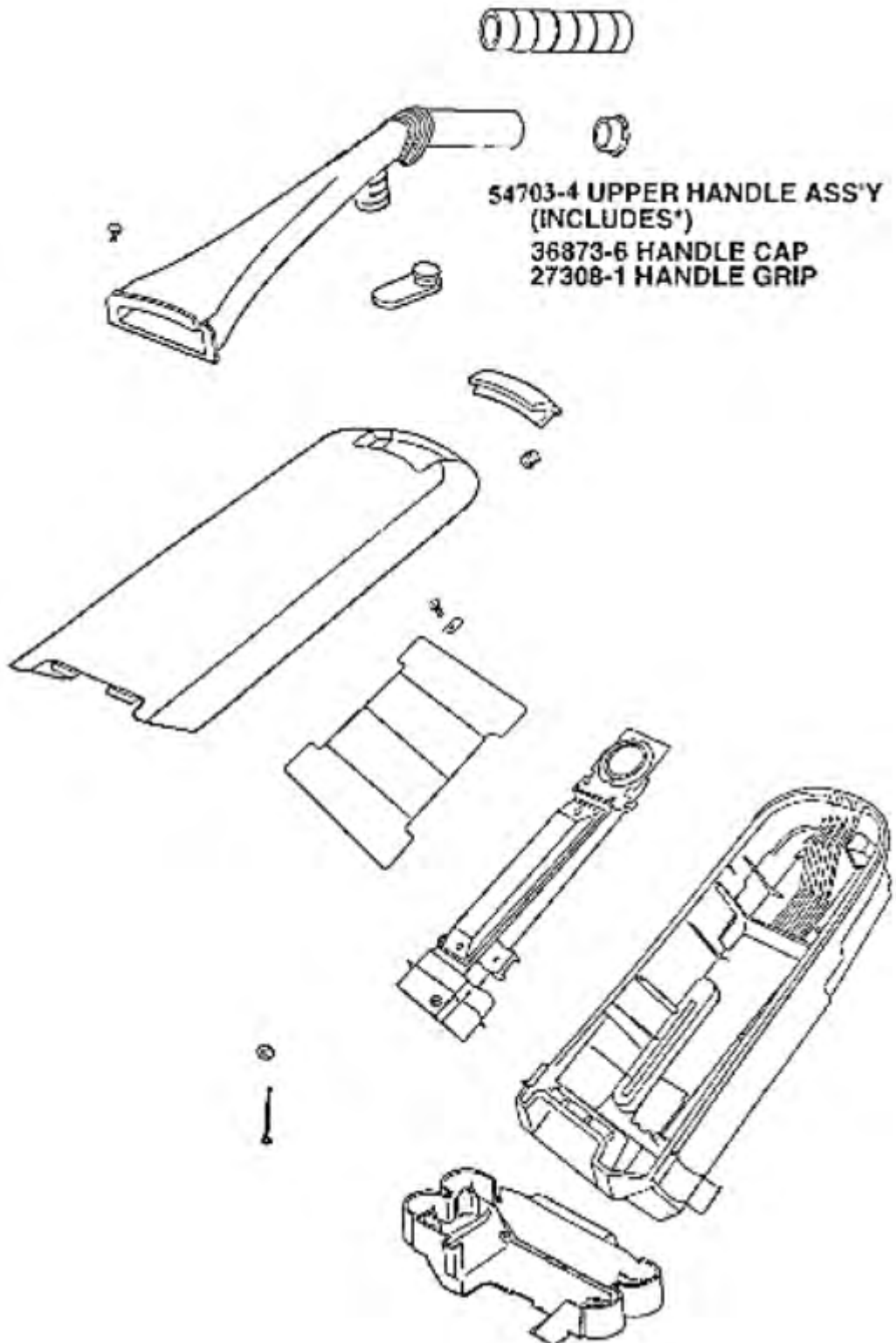
Eureka 9741AT Owner's Manual

[Shop genuine replacement parts for Eureka 9741AT](#)



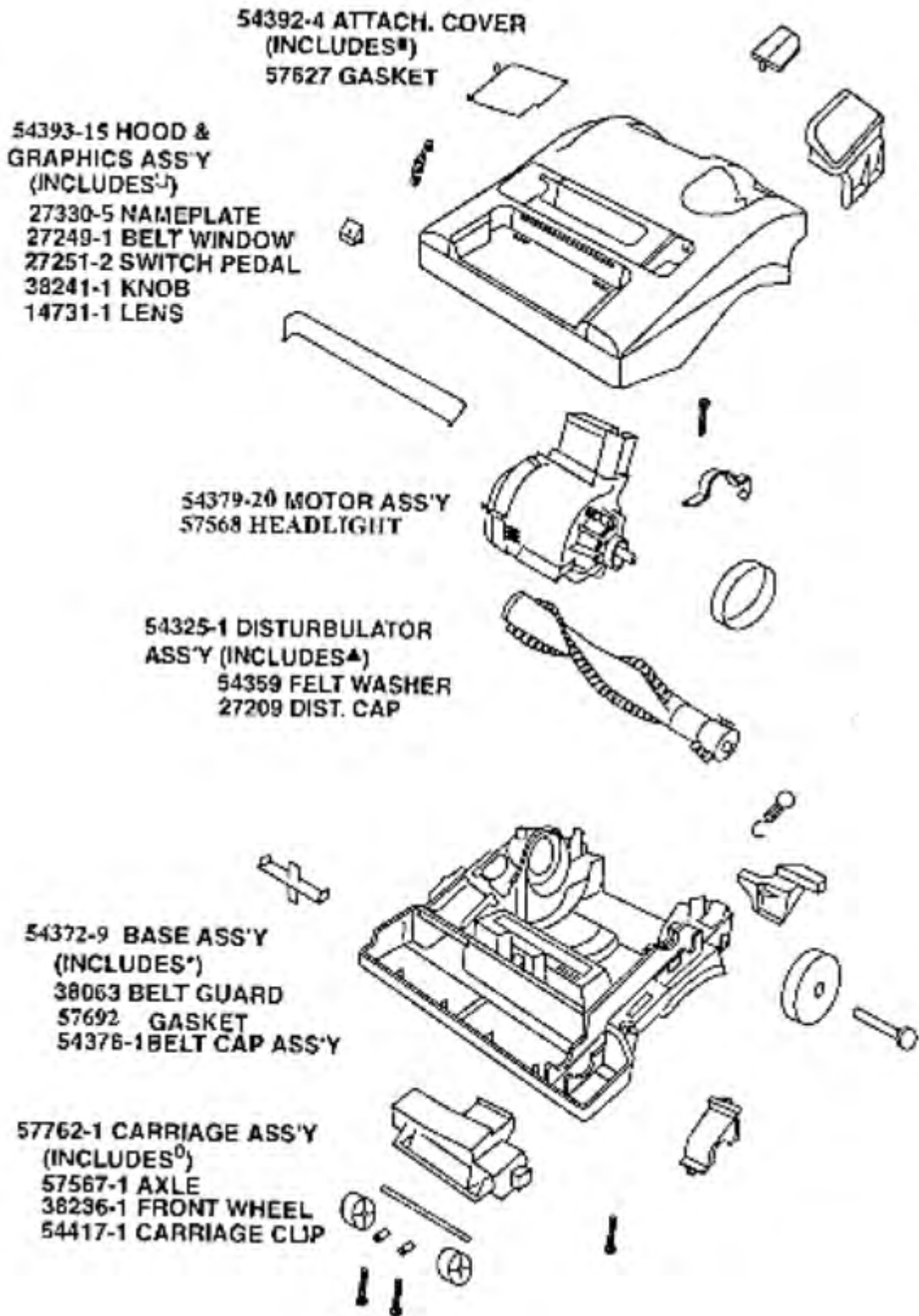
[Find Your Eureka Vacuum Cleaner Parts - Select From 853 Models](#)

----- Manual continues below -----



PARTS3 - 9741AT

Ref #	Part	Description	Comments	Qty
1	E-02055-1	HOUSING - REAR		
2	E-14902	SUPPORT-BAG (NLA)		
3	E-27308-1	GRIP - HANDLE		
4	E-36873-6	CAP - HANDLE		
5	E-37115-4	HOOK - CORD RELEASE		
6	E-53238-24	SCREW PACKAGE		
7	E-53238-28	SCREW PKG (NLA)		
8	E-53238-38	SCREW PACKAGE		
9	E-54417-1	PACKAGE - CARRIAGE CLIP		
10	E-54703-4	Discontinued, use 54703-5		
11	E-56376	WASHER		
12	E-57767	GASKET		
13	E-57877	SPRING-LATCH (NLA)		
14	E-57918-1	HSG ASY-BOTTOM (NLA)		



PARTS1 - 9741AT

Ref #	Part	Description	Comments	Qty
1	E-14731-1	LENS (CLEAR) (NLA)		
2	E-27201-2	WHEEL/BUSHING PACKAGE		
3	E-27202A-1	RELEASE - HANDLE		
4	E-27249-1	WINDOW BELT (NLA)		
5	E-27251-2	Discontinued, use 27251-1		
6	E-27330-5	NAMEPLATE - POWERLINE (ST		
7	E-38063	GUARD - BELT		
8	E-38236-1	WHEEL - FRONT		
9	E-38240-1	SLIDE (NLA)		
10	E-38241-1	KNOB		
11	E-38242	AXLE REAR		
12	E-38243-1	CLAMP - MOTOR (NLA)		
13	E-53076-2	SPRING & AXLE PACKAGE (6)		
14	E-53238-13	SCREW PACKAGE		
15	E-54325-1	DISTURBULATOR ASSY - CTND		
16	E-54359	PACKAGE - FELT WASHER		
17	E-54372-9	BASE ASSEMBLY - PACKAGED		
18	E-54376-1	BELT CAP & GASKET - PACKA		
19	E-54377	PACKAGE - SPRING		
20	E-54379-20	MOTOR ASSEMBLY - PKGD		
21	E-54392-4	ATTACHMENT PORT COVER ASS		
22	E-54393-15	HOOD CONVERSION KIT		
23	E-54417-1	PACKAGE - CARRIAGE CLIP		
24	E-54669	SCREW PACKAGE		
25	E-57567-1	AXLE - WHEEL		
26	E-57568	LIGHT BULB (NLA)		
27	E-57627	GASKET		
28	E-57692	GASKET		
29	E-57762-1	CARRIAGE ASSY (NLA) (NLA)		

**54363-5 ARMATURE & MOTOR
BRUSH KIT W/ BEARING
(INCLUDES▲)
54472-1 BRUSH HOLDER AND
BRUSH ASS'Y**



**54715-1 FIELD ASS'Y
(INCLUDES○)
MOTOR BRUSH
BRUSH SPRING
BRUSH HOLDER
54716-1 SWITCH**



**54375-1 SCROLL ASS'Y
(INCLUDES◆)
57949-1 GASKET SET**



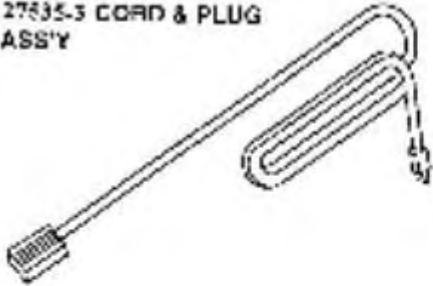
**54374-2 FAN COVER
(INCLUDES◆)
57949-1 GASKET SET**



PARTS2 - 9741AT

Ref #	Part	Description	Comments	Qty
1	E-27171	GASKET		
2	E-27531	IMPELLER		
3	E-53238-24	SCREW PACKAGE		
4	E-53238-25	SCREW PACKAGE		
5	E-54363-5	MOTOR ASSEMBLY - PKGD		
6	E-54374-2	Discontinued, use 54374-3		
7	E-54375-1	Discontinued, use 54375-2		
8	E-54379-20	MOTOR ASSEMBLY - PKGD		
9	E-54406	PLUG- PACKAGE 10		
10	E-54413	PACKAGE-5 HEX JAM NUT		
11	E-54472-1	BRUSH HOLDER & BRUSH ASSY		
12	E-54716-1	SWITCH ASSEMBLY		
13	E-57949-1	GASKET		

27535-3 CORD & PLUG
ASS'Y



01967-1 TOOL PAK



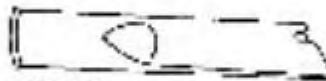
57802 PKG. OF 3 STYLE "U"
FILTERAIRE DISPOSABLE
DUST BAGS



54699-1 HOSE



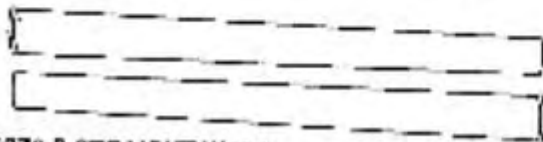
54506-1
UPIHOLSTERY NOZZLE



54355-3
CREVICE TOOL



54505-1
DUSTING BRUSH



14070-3 STRAIGHT WAND

55377 HARDWARE PKG.
1) BELT
2) SCREW

ACCESSORIES - 9741AT

Ref #	Part	Description	Comments	Qty
1	E-14070-3	WAND - STRAIGHT		
2	E-27535-3	CORD & PLUG ASSEMBLY		
3	E-54355-3	TOOL - CREVICE		
4	E-54505-1	DUSTING BRUSH - PACKAGED		
5	E-54506-1	UPHOLSTERY NOZZLE ASSEMBL		
6	E-54699-1	HOSE ASSEMBLY - CARTONED		
7	E-57802	U FILTERAIRE PKG		
8	E-58377	HARDWARE PKG (NLA)		