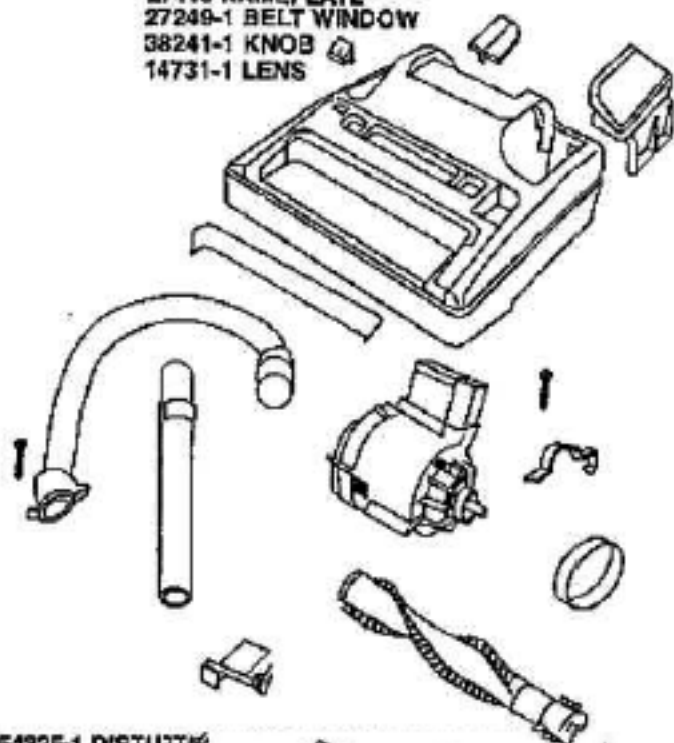
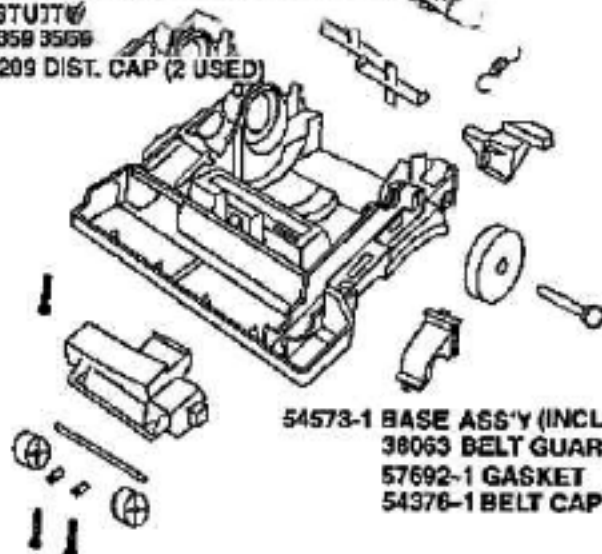


**54571-1 HOOD & GRAPHICS ASS'Y (INCLUDES)**

27416 NAMEPLATE  
 27249-1 BELT WINDOW  
 38241-1 KNOB  
 14731-1 LENS

**54325-1 DISTUIT**

54359 3566  
 27209 DIST. CAP (2 USED)

**54573-1 BASE ASS'Y (INCLUDES)**

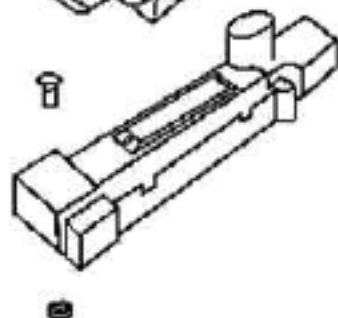
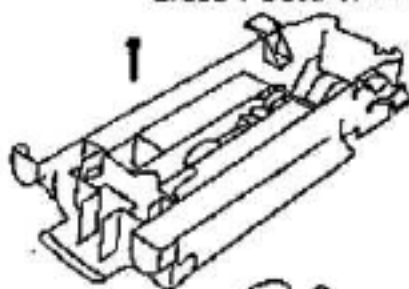
38063 BELT GUARD  
 57692-1 GASKET  
 54376-1 BELT CAP ASS'Y

**57762-1 CARRIAGE ASS'Y (INCLUDES)**

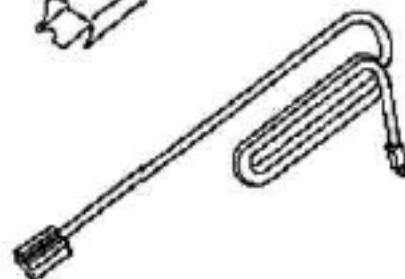
57567-1 AXLE  
 38236-1 FRONT WHEEL  
 54417-1 CARRIAGE CLIP

| Ref # | Part     | Description               | Comments | Qty |
|-------|----------|---------------------------|----------|-----|
| 1     | 14731-1  | LENS (CLEAR)              |          |     |
| 2     | 14990-1  | WAND ASSEMBLY             |          |     |
| 3     | 27201-2  | WHEEL/BUSHING PACKAGE     |          |     |
| 4     | 27202-1  | RELEASE - HANDLE          |          |     |
| 5     | 27249-1  | WINDOW - BELT (STYLE 3)   |          |     |
| 6     | 27251-2  | PEDAL - SWITCH (STYLE 3)  |          |     |
| 7     | 38063    | GUARD - BELT              |          |     |
| 8     | 38236-1  | WHEEL - FRONT             |          |     |
| 9     | 38240-1  | SLIDE                     |          |     |
| 10    | 38241-1  | KNOB                      |          |     |
| 11    | 38242    | AXLE - REAR               |          |     |
| 12    | 38243-1  | CLAMP - MOTOR             |          |     |
| 13    | 38381-1  | RING - BLEEDER            |          |     |
| 14    | 38405-1  | REPLACEMENT DIVERTER VALV |          |     |
| 15    | 53076-2  | SPRING & AXLE PACKAGE (6) |          |     |
| 16    | 53238-10 | SCREW PACKAGE             |          |     |
| 17    | 53238-13 | SCREW PACKAGE             |          |     |
| 18    | 53238-8  | SCREW PACKAGE             |          |     |
| 19    | 54312    | BELT PACKAGE ASSEMBLY (U) |          |     |
| 20    | 54325-1  | DISTURBULATOR ASSY - CAR  |          |     |
| 21    | 54359    | PACKAGE - FELT WASHER     |          |     |
| 22    | 54376-1  | BELT CAP & GASKET - PACKA |          |     |
| 23    | 54379-6  | MOTOR ASSEMBLY - PKGD     |          |     |
| 24    | 54417-1  | PACKAGE - CARRIAGE CLIP   |          |     |
| 25    | 54524-1  | HOSE ASSEMBLY - CTND      |          |     |
| 26    | 54571-1  | HOOD ASSY - PACKAGED      |          |     |
| 27    | 54573-1  | BASE ASSY - CARTONED      |          |     |
| 28    | 57567-1  | AXLE - WHEEL              |          |     |
| 29    | 57692-1  | GASKET                    |          |     |
| 30    | 57762-1  | CARRIAGE ASSEMBLY         |          |     |

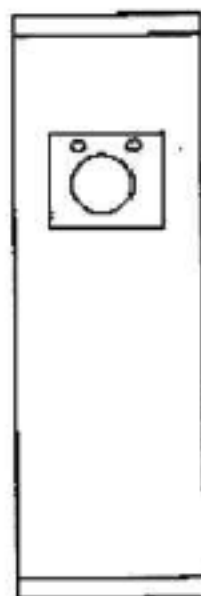
14991-1 TOOL PAK (INCLUDES)  
27353-1 CORD RELEASE SLIDE



38301-4 UPPER HANDLE  
ASS'Y (INCLUDES)  
27207-1 HANDLE CAP



54574-2 BAG ASS'Y (INCLUDES)  
38316-1 LOWER BAG SUPPORT  
54383 PUSH-ON NUT  
27379-1 BAG CAP  
57565 BAG-ON  
38238 BOT



| Ref # | Part     | Description               | Comments | Qty |
|-------|----------|---------------------------|----------|-----|
| 1     | 02061-1  | LOWER HANDLE ASSEMBLY     |          |     |
| 2     | 14991-1  | TOOL PAK ASSY             |          |     |
| 3     | 27172-7  | CORD & PLUG ASSEMBLY      |          |     |
| 4     | 27207-1  | CAP - HANDLE              |          |     |
| 5     | 27353-1  | SLIDE - CORD RELEASE      |          |     |
| 6     | 38238    | INSERT - BOTTOM           |          |     |
| 7     | 38301-4  | UPPER HANDLE ASSEMBLY     |          |     |
| 8     | 38316-1  | LOWER BAG SUPPORT&GRPHCS  |          |     |
| 9     | 53213-5  | NUTS - PACKAGE 10         |          |     |
| 10    | 53218-1  | SCREW PACKAGE             |          |     |
| 11    | 53238-29 | SCREW PACKAGE             |          |     |
| 12    | 53536-3  | SNAP PIN - PACKAGED       |          |     |
| 13    | 54383    | NUT-PUSH ON PACKAGE 10    |          |     |
| 14    | 54574-2  | BAG ASSEMBLY - CARTONED   |          |     |
| 15    | 57565    | HANGER BAG                |          |     |
| 16    | 57802    | PAPER BAG PKG ASSY (STYLE |          |     |



**54363-3 ARMATURE & MOTOR  
BRUSH KIT W/ BEARING (INCLUDES)  
54472-1 BRUSH HOLDER AND  
BRUSH ASS'Y**



**54381-5 FIELD ASS'Y (INCLUDES)  
MOTOR BRUSH (2)  
BRUSH SPRING (2)  
BRUSH HOLDER (1)  
54152-3 SWITCH**

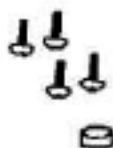


**543757?**

**54386 GASKET SET**



**54374-2 FAN COVER (INCLUDES)  
54386 GASKET SET**



| Ref # | Part     | Description               | Comments | Qty |
|-------|----------|---------------------------|----------|-----|
| 1     | 27165    | IMPELLER                  |          |     |
| 2     | 27171    | GASKET                    |          |     |
| 3     | 53238-24 | SCREW PACKAGE             |          |     |
| 4     | 53238-25 | SCREW PACKAGE             |          |     |
| 5     | 54152-3  | SWITCH ASSEMBLY           |          |     |
| 6     | 54363-3  | MOTOR ASSEMBLY - PKGD     |          |     |
| 7     | 54374-2  | FAN COVER - PACKAGED      |          |     |
| 8     | 54375-1  | SCROLL ASSY - PKG         |          |     |
| 9     | 54379-6  | MOTOR ASSEMBLY - PKGD     |          |     |
| 10    | 54386    | GASKET                    |          |     |
| 11    | 54406    | PLUG- PACKAGE 10          |          |     |
| 12    | 54413    | PACKAGE-5 HEX JAM NUT     |          |     |
| 13    | 54472-1  | BRUSH HOLDER & BRUSH ASSY |          |     |



**54308-3 CREVICE TOOL**



**54505-1 DUSTING BRUSH**



**54506-1 UPHOLSTERY NOZZLE**



**13719-3 STRAIGHT WAND**

**38403 HARDWARE PKG.**

- 1) SCREW**
- 1) NUT**
- 1) SNAP PIN**
- 4) BAG SCREW**
- 1) BELT**

| Ref # | Part    | Description               | Comments | Qty |
|-------|---------|---------------------------|----------|-----|
| 1     | 13719-3 | WAND - STRAIGHT           |          |     |
| 2     | 54308-3 | TOOL - CREVICE            |          |     |
| 3     | 54505-1 | DUSTING BRUSH - PACKAGED  |          |     |
| 4     | 54506-1 | UPHOLSTERY NOZZLE ASSEMBL |          |     |