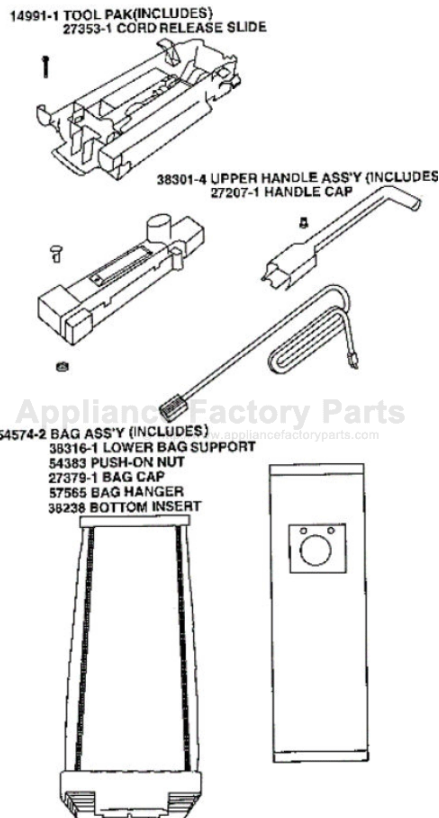


This Owner's Manual is provided and hosted by [Appliance Factory Parts](#).



# Eureka 9855AT Owner's Manual

[Shop genuine replacement parts for Eureka 9855AT](#)



[Find Your Eureka Vacuum Cleaner Parts - Select From 855 Models](#)

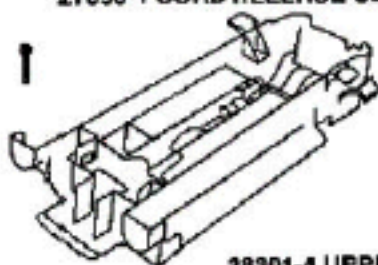
----- Manual continues below part list -----

## Available Replacement Parts for Eureka 9855AT

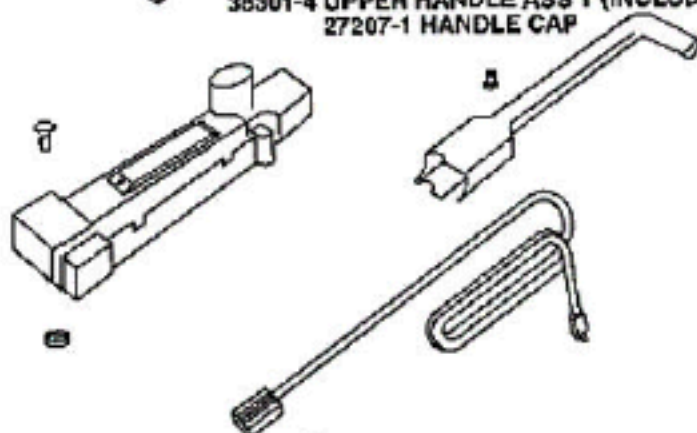
[ER-2017](#)

BRUSH ROLLER ROLL 54325-1

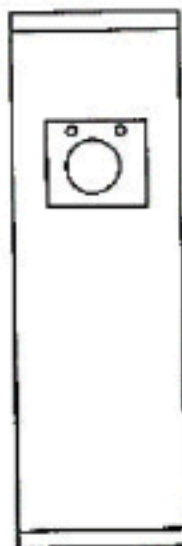
14991-1 TOOL PAK (INCLUDES)  
27353-1 CORD RELEASE SLIDE



38301-4 UPPER HANDLE ASS'Y (INCLUDES)  
27207-1 HANDLE CAP



54574-2 BAG ASS'Y (INCLUDES)  
38316-1 LOWER BAG SUPPORT  
54383 PUSH-ON NUT  
27379-1 BAG CAP  
57585 BAG HANGER  
38238 BOTTOM INSERT



## PARTS3 - 9855AT

Ref #	Part	Description	Comments	Qty
1	02061-1	LOWER HANDLE ASSEMBLY		
2	14991-1	TOOL PAK ASSY		
3	27172-7	CORD & PLUG ASSEMBLY		
4	27207-1	CAP - HANDLE		
5	27353-1	SLIDE - CORD RELEASE		
6	38238	INSERT - BOTTOM		
7	38301-4	UPPER HANDLE ASSEMBLY		
8	38316-1	BAG SUPPORT LWR		
9	53213-5	NUTS - PACKAGE 10		
10	53218-1	SCREW PACKAGE		
11	53238-29	SCREW PACKAGE		
12	53536-3	SNAP PIN - PACKAGED		
13	54383	NUT-PUSH ON PACKAGE 10		
14	54574-2	Discontinued, use 54574-5		
15	57565	HANGER BAG		
16	57802	PAPER BAG PKG ASSY (STYLE		

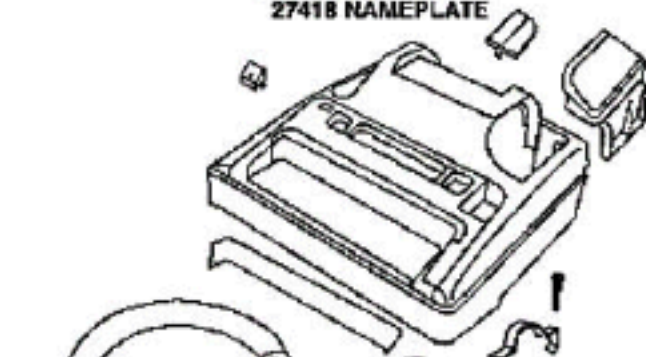
**54571-1 HOOD & GRAPHICS ASS'Y (INCLUDES)**

27249-1 BELT WINDOW

38241-1 KNOB

14731-1 LENS

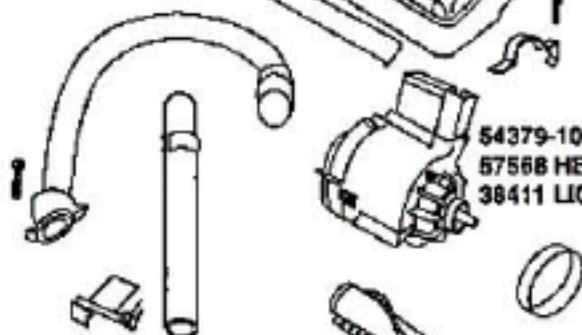
27418 NAMEPLATE



54379-10 MOTOR ASS'Y

57568 HEADLIGHT LAMP

38411 LIGHT PIPE



**54325-1 DISTURBULATOR  
ASS'Y (INCLUDES)**

54359 FELT WASHER

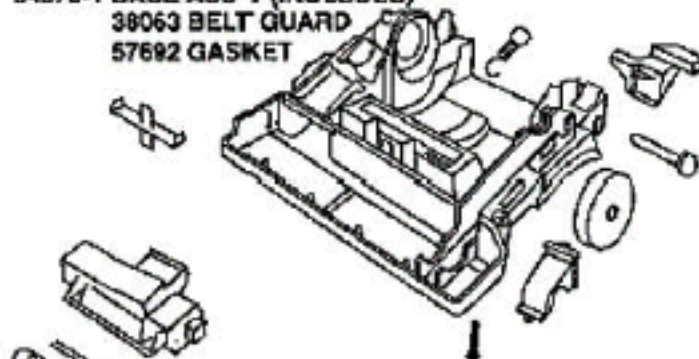
27209 DIST. CAP (2 USED)



**54573-1 BASE ASS'Y (INCLUDES)**

38063 BELT GUARD

57692 GASKET



**57762-1 CARRIAGE ASS'Y (INCLUDES)**

57567-1 AXLE

38236-1 FRONT WHEEL

54417-1 CARRIAGE CLIP

54376-1 BELT CAP ASS'Y



## PARTS1 - 9855AT

Ref #	Part	Description	Comments	Qty
1	14731-1	LENS (CLEAR)		
2	14990-1	WAND ASSEMBLY		
3	27201-2	WHEEL/BUSHING PACKAGE		
4	27202-1	RELEASE - HANDLE		
5	27249-1	WINDOW - BELT (STYLE 3)		
6	27251-2	PEDAL - SWITCH (STYLE 3)		
7	38063	GUARD - BELT		
8	38236-1	WHEEL - FRONT		
9	38240-1	SLIDE		
10	38241-1	KNOB		
11	38242	AXLE - REAR		
12	38243-1	CLAMP - MOTOR		
13	38381-1	RING - BLEEDER		
14	38405-1	REPLACEMENT DIVERTER VALV		
15	53076-2	SPRING & AXLE PACKAGE (6)		
16	53238-10	SCREW PACKAGE		
17	53238-13	SCREW PACKAGE		
18	53238-8	SCREW PACKAGE		
19	54312	BELTS BRAVO U PAK (NLA)		
20	54325-1	DISTURBULATOR ASSY - CART		
21	54359	PACKAGE - FELT WASHER		
22	54376-1	BELT CAP & GASKET - PACKA		
23	54379-10	MOTOR ASSEMBLY - PKGD		
24	54417-1	PACKAGE - CARRIAGE CLIP		
25	54524-1	HOSE ASSEMBLY - CTND		
26	54571-1	HOOD ASSY - PACKAGED		
27	54573-1	BASE ASSY - CARTONED		
28	57567-1	AXLE - WHEEL		
29	57568	LIGHT BULB		
30	57692	GASKET		
31	57762-1	CARRIAGE ASSY		



**54363-3 ARMATURE & MOTOR  
BRUSH KIT W/ BEARING  
(INCLUDES)**

**54472-1 BRUSH HOLDER AND  
BRUSH ASS'Y**



**54381-4 FIELD ASS'Y (INCLUDES)**

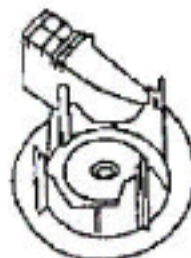


**MOTOR BRUSH (2)  
BRUSH SPRING (2)  
BRUSH HOLDER (1)  
54152-3 SWITCH**



**54375-1 SCROLL ASS'Y (INCLUDES)**

**57949-1 GASKET SET**



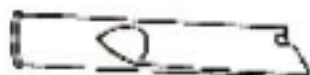
**54374-1 FAN COVER (INCLUDES)**

**57949-1 GASKET SET**



## PARTS2 - 9855AT

Ref #	Part	Description	Comments	Qty
1	27165	IMPELLER		
2	27171	GASKET		
3	53238-24	SCREW PACKAGE		
4	53238-25	SCREW PACKAGE		
5	54152-3	SWITCH ASSEMBLY		
6	54363-3	MOTOR ASSEMBLY - PKGD		
7	54374-1	FAN COVER - PACKAGED		
8	54375-1	SCROLL ASSY - PKG		
9	54379-10	MOTOR ASSEMBLY - PKGD		
10	54406	PLUG- PACKAGE 10		
11	54413	PACKAGE-5 HEX JAM NUT		
12	54472-1	BRUSH HOLDER & BRUSH ASSY		
13	57949-1	GASKET		



54308-3 CREVICE TOOL



54505-1 DUSTING BRUSH



54506-1 UPHOLSTERY NOZZLE



13719-3 STRAIGHT WAND

**98409 HARDWARE PKG.**

- 1) SCREW
- 1) NUT
- 1) SNAP PIN
- 4) BAG SCREW
- 1) BELT

## ACCESSORIES - 9855AT

Ref #	Part	Description	Comments	Qty
1	13719-3	STRAIGHT WANDS		
2	54308-3	TOOL - CREVICE		
3	54505-1	DUSTING BRUSH - PACKAGED		
4	54506-1	UPHOLSTERY NOZZLE ASSEMBL		