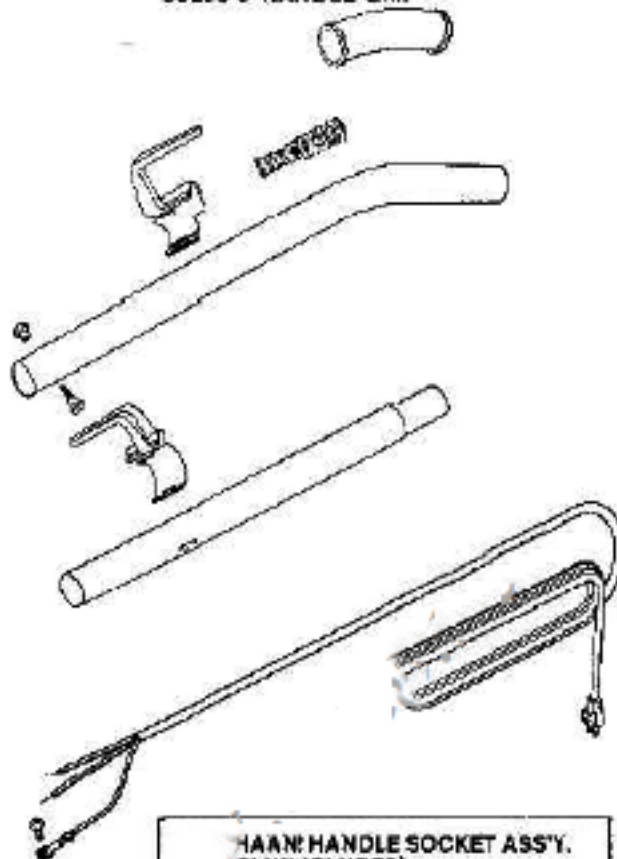


**26329-20 UPPER HANDLE ASS'Y (INCLUDES)
35293-8 HANDLE GRIP**



**HAND HANDLE SOCKET ASS'Y.
(INCLUDES)**

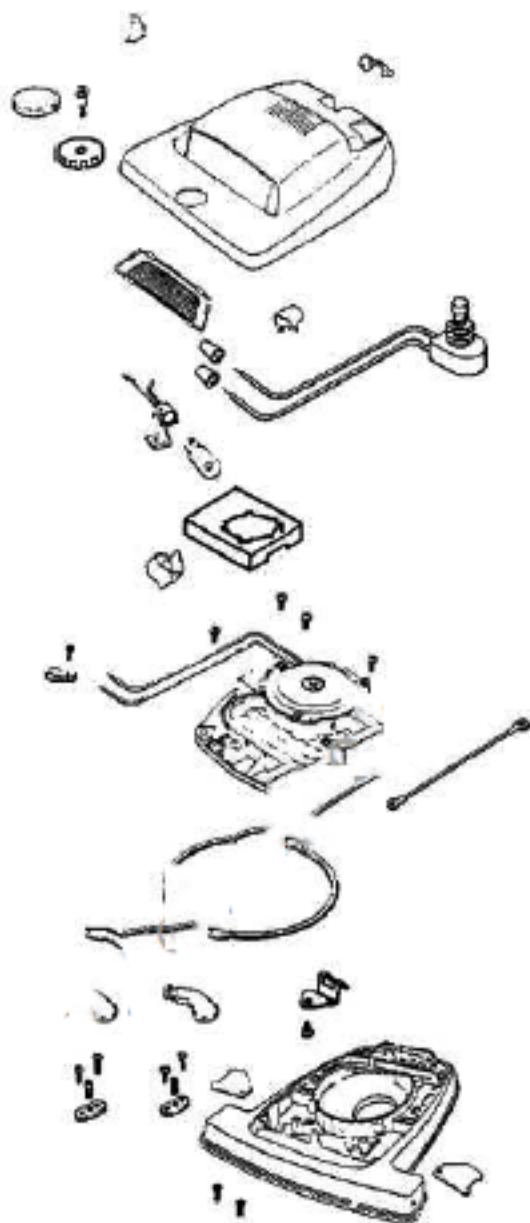


**25238-23 HANDLE SOCKET
41064F PIN
53833-3 KEPS NUT
53232-2 COTTER PIN
53099 SPACER
53217-7 SCREW
36649 SPRING
53238-13 SCREW**

**36521A BRACKET ASS'Y. (INCLUDES)
53098 BUSHING**



Ref #	Part	Description	Comments	Qty
1	25238-23	SOCKET - HANDLE		
2	25329-20	HANDLE ASSEMBLY (UPPER)		
3	35293-8	GRIP - HANDLE		
4	36439	SHIELD - HANDLE SOCKET		
5	36521A	BRACKET & BUSHING ASSY		
6	36648A-2	HANDLE SOCKET ASSEMBLY		
7	36649	SPRING - HANDLE BALANCING		
8	41064F	PIN - HANDLE SUPPORT		
9	52370-14	CORD & TERMINAL ASSY 30 8		
10	53077	SPRING - STRAIN RELIEF PK		
11	53098	BUSHING - HANDLE BRACKET		
12	53099	SPACER - HANDLE SUPPORT (
13	53145	BOLT PACKAGE (10)		
14	53198-1	HANDLE SCREW ASSY PACKAGE		
15	53217-7	SCREWS - PACKAGE 10		
16	53228-2	SCREWS - PACKAGE 10		
17	53232-2	COTTER PINS - PACKAGE 10		
18	53238-13	SCREW PACKAGE		
19	53574-1	CORD RETAINER SET		
20	53833-3	NUT PACKAGE		
21	57751-1	TUBE - HANDLE (LOWER)		
22	EW14-10ZP	NUTS - PACKAGE 10		



49630-7 BASE ASS'Y.

NOT ILLUSTRATED

24964A CAM (R.H.)

24965A CAM (L.H.)

53118 CAM RIVET (PKG. 10 2 USED)

53133 WASHER (PKG. 10 1 USED)

25667-2 END CAP RETAINER (2)

53166 RIVET (PKG 10 4 USED)

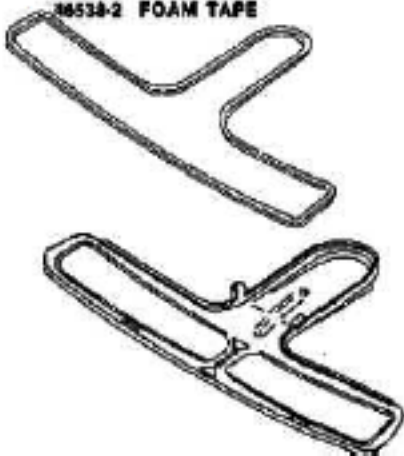
Ref #	Part	Description	Comments	Qty
1	14193-1	LENS - HOOD		
2	14302-2	KNOB - 8 POSITION		
3	24834A-1	PEDAL - FOOT		
4	24964A	CAM (RIGHT)		
5	24965A	CAM (LEFT)		
6	25667-2	RETAINER - END CAP		
7	26307	TIE - CABLE (PURCHASED)		
8	26808-2	BUTTON - SWITCH		
9	30517	GASKET - MOTOR SEAL		
10	36263	COVER - WHEEL		
11	37034	SPRING - ADAPT RETAINER		
12	37514	HEADLAMP SOCKET ASSEMBLY		
13	38054-2	GRIP ASSEMBLY		
14	38067	SEPARATOR ASSEMBLY		
15	38218-1	BRACKET - BUSHING		
16	40009A	LAMP - HEADLIGHT		
17	49630-7	BASE ASSEMBLY - CARTONED		
18	53097	SPRING - FOOT PEDAL PKG (
19	53118	RIVET - SHOULDER PACKAGE		
20	53122	STRAIN RELIEF BUSHING - P		
21	53133	STEEL WASHERS - PACKAGE 1		
22	53140	CLAMP & SCREW ASSY PKG		
23	53143	SCREW PACKAGE (10)		
24	53160	CABLE CLAMP PACKAGE		
25	53214-1	WIRE SPLICE 5		
26	53228-2	SCREWS - PACKAGE 10		
27	53238-13	SCREW PACKAGE		
28	53238-17	SCREW PACKAGE		
29	54005-7	HOOD ASSEMBLY - PACKAGED		
30	54151-2	SWITCH ASSEMBLY		
31	54177	WIRE & TERMINAL ASSY		
32	54352-3	MOTOR ASSEMBLY - PACKAGED		
33	EW29-8-12ZP	SCREW PACKAGE		

**53271 DISTURBULATOR ASSEMBLY (INCLUDES)**

53158 LOCKNUT
 53064 DISTURBULATOR GAITER
 48009 FELT WASHER (2)
 53078 BEARING RETAINER
 53184 CLAMPING RING
 01185 DISTURBULATOR
 25944 SHAFT
 53285-2 BRISTLE
 53086 O-RING COVER

**53272 BOTTOM PLATE ASS'Y. (INCLUDES)**

58538-2 FOAM TAPE



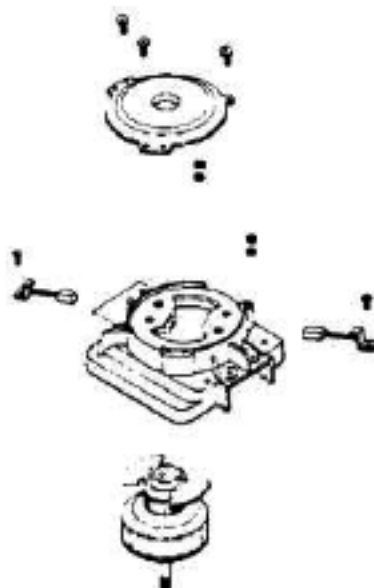
Ref #	Part	Description	Comments	Qty
1	01165	TUBE - DISTURBULATOR		
2	25648-16	GUARD - FURNITURE		
3	25666	CLIP - FURNITURE GUARD		
4	25672A	BOTTOM PLATE ASSEMBLY		
5	25944	SHAFT - DISTURBULATOR		
6	35858-1	WHEEL - REAR		
7	35859A-1	WHEEL - FRONT		
8	35947A	AXLE - FRONT		
9	46538-2	TAPE - FOAM		
10	47562	AXLE - REAR		
11	49899	WASHER - FELT		
12	52246-2	BRISTLE STRIP PACKAGE		
13	53064	CAP - DISTURBULATOR		
14	53066	CAP - COVER		
15	53076-2	SPRING & AXLE PACKAGE (6)		
16	53078	BEARING & RETAINER ASSY		
17	53111	CLIP PACKAGE (5)		
18	53158	LOCK NUT PACKAGE		
19	53184	KLIPRING PACKAGE		
20	53238-10	SCREW PACKAGE		
21	53238-11	SCREW PACKAGE		
22	53271	DISTURBULATOR ASSEMBLY		

**54174-1 BAG ADAPTER
48282 GASKET**



**49461A HARDWARE PACKAGE (INCLUDES)
2-HANDLE SCREW ASS'Y.
1-CORD RETAINER**

Ref #	Part	Description	Comments	Qty
1	30599D-10	CLIP - BAG		
2	47722	SPRING - BAG		
3	48282	GASKET - BAG ADAPTER		
4	49461A	HARDWARE PKG - COMM UPRIG		
5	53354-9	BAG ASSEMBLY - PACKAGED		
6	54174-1	ADAPTER - BAG		

**54395-4 ARM, FAN & BEARING ASSEMBLY**

53068-1 BEARING
30474A FAN

**54169 MOTOR BASE ASSEMBLY**

42875 BEARING & RETAINER
53068-1 BEARING (PKG. 5 1 USED)
53187-1 RIVET (PKG. 10 3 USED)



Ref #	Part	Description	Comments	Qty
1	12988	FAN BLOWER - MOTOR		
2	20217E	RETAINER - UPPER BEARING		
3	30474A	FAN - MOTOR COOLING		
4	30478	MOTOR BRUSH ASSEMBLY		
5	37012-2	PULLEY - MOTOR DRIVE		
6	42875	BEARING RETAINER ASSY-W/L		
7	53088-1	BALL BEARING - PACKAGE		
8	53138	SCREWS - PACKAGE 10		
9	53142	SCREW PACKAGE (10)		
10	53148	WASHER - FAN PACKAGE (10)		
11	53187-1	RIVET PACKAGE		
12	53188-1	WASHER PACKAGE		
13	53213-4	NUTS - PACKAGE 10		
14	53219-2	SCREWS - PACKAGE 10		
15	53222-3	LOCKWASHERS - PACKAGE 10		
16	53441-2	FIELD ASSEMBLY - PACKAGED		
17	54169	MOTOR BASE ASSEMBLY		
18	54352-3	MOTOR ASSEMBLY - PACKAGED		
19	54395-4	ARMATURE, FAN & BRG ASSY-		
20	54396	MOTOR COVER ASSEMBLY - LA		
21	56802-2	TIE - CABLE (PURCHASED)		