

This Owner's Manual is provided and hosted by [Appliance Factory Parts](#).



# Eureka C6446AT Owner's Manual

[Shop genuine replacement parts for Eureka C6446AT](#)



[Find Your Eureka Vacuum Cleaner Parts - Select From 855 Models](#)

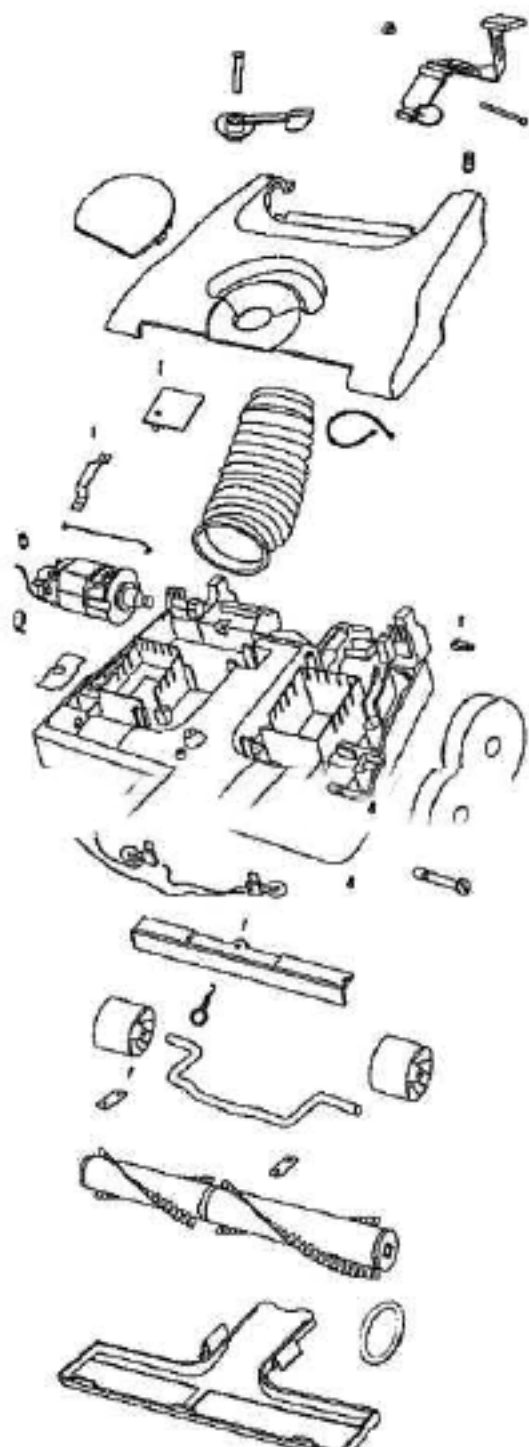
----- Manual continues below -----



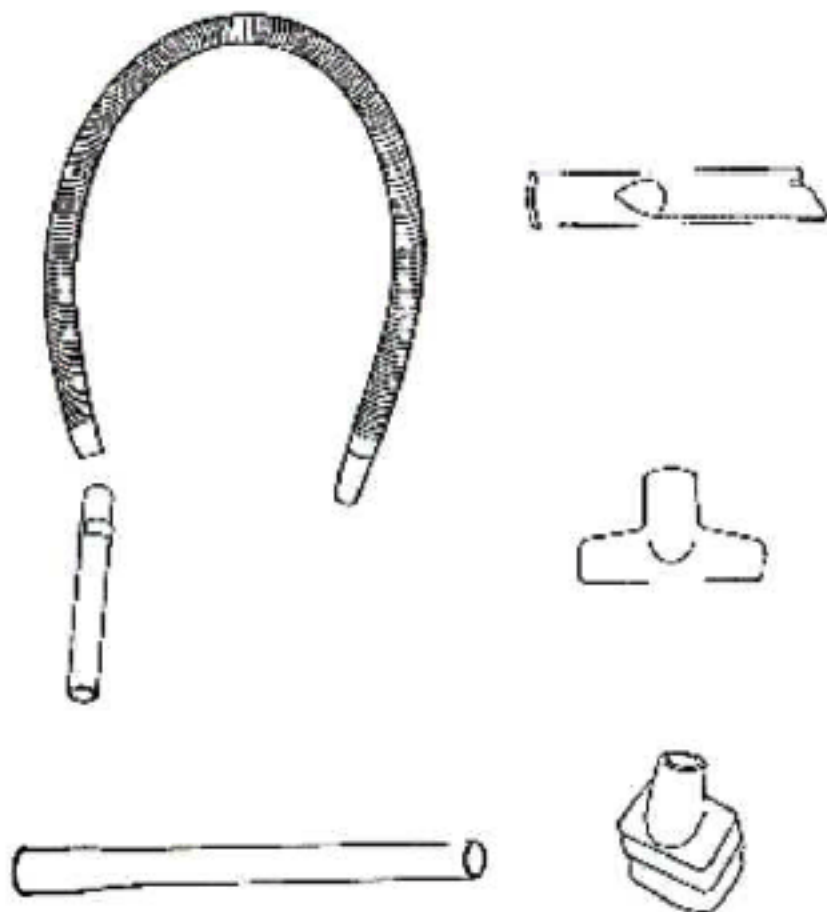
Ref #	Part	Description	Comments	Qty
1	02119-1	HANDLE ASSEMBLY		
2	27514	LATCH - BAG COVER		
3	27515-1	CLIP - HOSE		
4	27521-1	COMMERCIAL CORD ASSEMBLY		
5	37761-2	BAG INDICATOR ASSEMBLY		
6	38348-2	SWITCH - ROCKER		
7	53238-1	SCREW PACKAGE		
8	53238-37	SCREW PACKAGE		
9	54686	CLOTH BAG PACKAGE - STYLE		
10	54711	PACKAGE - SPRING		
11	56750	CLIP - BAG INDICATOR		
12	58183	PAPER BAG PKG ASSY (STYLE		
13	58393	BUSHING - STRAIN RELIEF		



Ref #	Part	Description	Comments	Qty
1	02016-1	COVER - DIRT CHUTE		
2	14909-1	HANDLE - CARRYING		
3	14966	GASKET - ACCESS DOOR		
4	14967-1	ACCESS DOOR ASSY		
5	27345	ARM - CONVERTER		
6	27384	FILTER - MOTOR		
7	27385	FRAME - FILTER		
8	27405	PEDAL - FOOT		
9	27410	SWITCH - MICRO SNAP		
10	27414-1	REAR HOUSING ASSEMBLY		
11	27463	GASKET - MOTOR FAN		
12	27536	FILTER - FINAL		
13	27666	DOOR - CONVERTER VALVE		
14	38243-1	CLAMP - MOTOR		
15	38410	SHIELD - MOTOR		
16	53214-2	WIRE SPLICE 5		
17	53238-28	SCREW PACKAGE		
18	53238-32	SCREW PACKAGE		
19	53238-33	SCREW PACKAGE		
20	53238-34	SCREW PACKAGE		
21	53238-35	SCREW PACKAGE		
22	53238-4	SCREW PACKAGE		
23	54669	SCREW PACKAGE		
24	54710	PACKAGE - SPRING		
25	54713	MOTOR ASSEMBLY - PKGD		
26	55463	GASKET - MOTOR STACK		
27	58325-1	MOTOR COVER KIT - COMM		
28	60141	COMM REAR HOUSING REPLMT		



Ref #	Part	Description	Comments	Qty
1	02017-1	PLATE - SOLE		
2	26270-3	WHEEL - REAR		
3	27405	PEDAL - FOOT		
4	27483-4	ADJUSTMENT COVER & GRPHCS		
5	27520-1	LOWER CORD ASSEMBLY		
6	27530	DISCONTINUED! Please call the service center at 1-800-246-7808 for more information.		
7	35859A-1	WHEEL - FRONT		
8	38392	AXLE		
9	38407	CAP - FOOT PEDAL		
10	38457	AXLE - FRONT		
11	46713	TIE - CABLE (PURCHASED)		
12	46713-2	TIE - CABLE (PURCHASED)		
13	53076-2	SPRING & AXLE PACKAGE (S)		
14	53201	CLAMPS - PACKAGE 10		
15	53214-2	WIRE SPLICE 5		
16	53238-11	SCREW PACKAGE		
17	53238-4	SCREW PACKAGE		
18	54343-3	MOTOR ASSEMBLY - PACKAGED		
19	54706-2	BASE REPLACEMENT KIT		
20	54707	PACKAGE - PUSH ON NUT		
21	54708	PACKAGE - SPRING		
22	54712-1	ROLL ASSEMBLY REPLACEMENT		
23	54790	CASTER REPAIR KIT LARGE		
24	58244	SCREW - HEIGHT ADJUSTMENT		
25	58295	CLAMP CABLE		
26	58298	PIN - FOOT PEDAL		
27	58323-1	COVER - PULLEY		
28	58327-1	LEVER - ADJUSTMENT		
29	58421	SHIELD - WIRE		
30	30563A	BELT - DRIVE (STYLE RD)		



	PART NO.	DESCRIPTION
1.	34692-1	Hose With Coupling Only
2.	14990-1	Wand With Trigger
3.	14070-3	Straight Wand
4.	34385-3	Choice Tool
5.	54506-1	Upholstery Nozzle
6.	54505-1	Dusting Brush
7.	54691-1	Hose Assembly Complete

Ref #	Part	Description	Comments	Qty
1	14070-3	WAND - STRAIGHT		
2	14990-1	WAND ASSEMBLY		
3	54355-3	TOOL - CREVICE		
4	54505-1	DUSTING BRUSH - PACKAGED		
5	54506-1	UPHOLSTERY NOZZLE ASSEMBL		
6	54691-1	HOSE ASSY - CRTND		
7	54692-1	HOSE ASSY - CRTND		
8	58068	PACKAGE - HARDWARE		