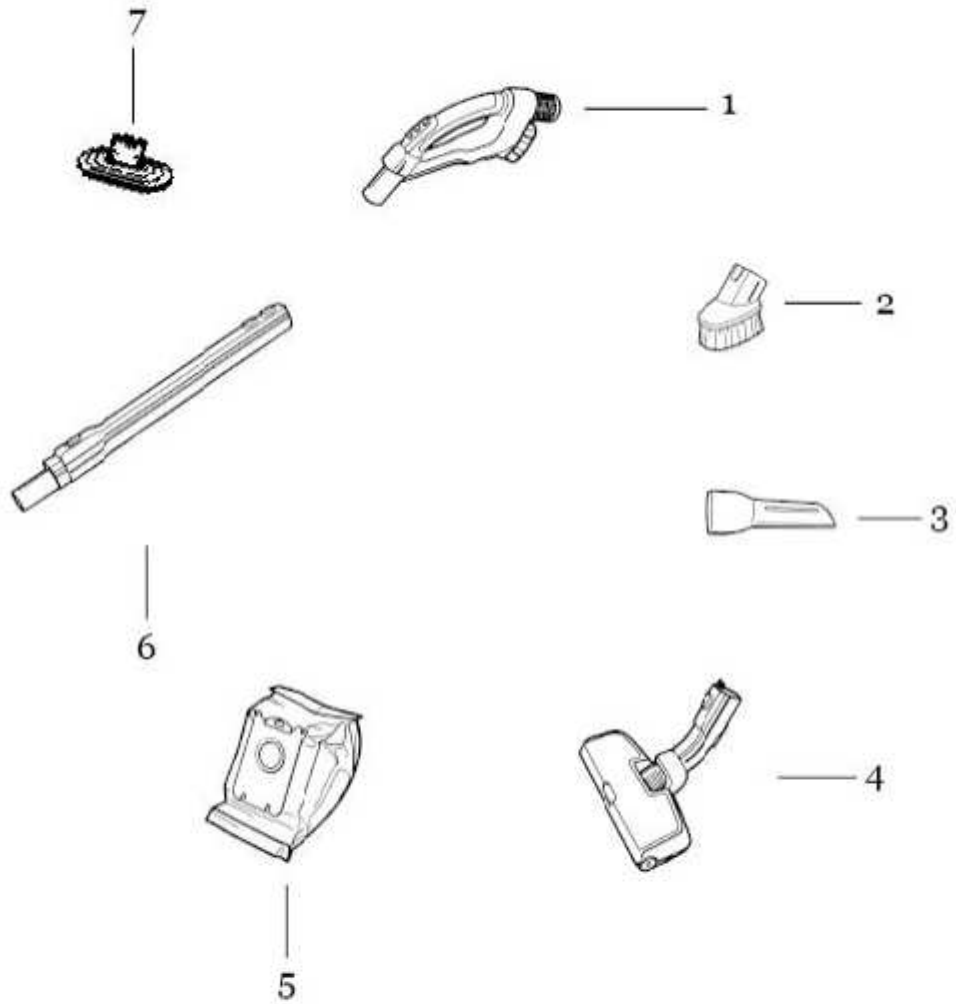


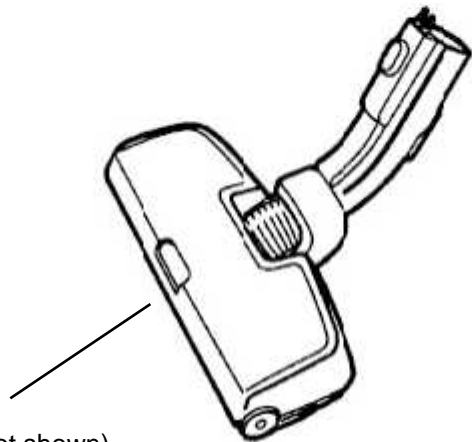
## Canister - EL7000A

Ref #	Part	Description	Comments	Qty
1	E-1130900-01	BOTTOM PART		
2	E-1130901-02	DUST CONTAINER		
3	E-1130902-01	MOTOR HOUSING		
4	E-1130903-02	SEALING - MOTOR		
5	E-1130904-01	MOTOR COVER - HOUSING		
6	E-1130909-01	SUSPENSION - REAR DOM		
7	E-1130910-01	ABSORBENT - MOTORHOUSE		
8	E-1130911-01	HOLDER - FILTER		
9	E-1130912-01	NO FILTER SAFETY DEV		
10	E-1130914-01	NO BAG SAFETY DEVICE		
11	E-1130916-01	BRACKET - NOZZLE PARK		
13	E-1130919-01	COVER - HOSE CONNECT		
14	E-1130920-01	RING - HOSE CONNECTION		
15	E-1130923-01	GROMMET		
17	E-1130927-01	SLEEVE - HOSE CONNECTION		
18	E-1130928-01	GROMMET - FRONT COVER		
19	E-1130929-01	FILTER - PERMANENT F2		
20	E-1130930-01	HOLDER - BAG		
21	E-1130934-09	COVER - REAR SATINE CAYEN		
22	E-1130935-02	DIFFUSOR - COMPLETE OUTLE		
24	E-1130937-02	DIFFUSOR - COMPLETE OUTLE		
25	E-1130938-03	DISPLAY - LEVEL 4		
26	E-1130939-01	FILTER - O2 NON WASH		
27	E-1130940-01	HANDLE		
28	E-1130941-01	GRIP - HANDLE		
29	E-63159	HANDLE PIN PACKAGE	10 in package.	
33	E-1130946-01	PEDAL - CORDWINDER		
34	E-1130949-02	LIGHT CONDUCTOR		
35	E-1130950-02	REFLECTOR		
36	E-1130969-01	CABLE - MOTOR TERMO UL		
38	E-1130958-01	CABLE - POWER OUTLET		
40	E-1130967-16	COVER & GRAPHICS CPL		
43a	E-1180110-52			
43b	E-1180111-01	MODULE - BAG/FILTER UL		
43c	E-1180113-01	MODULE - AUT SUMO UL		
43d	E-1180115-01	MODULE - POWER SUPPLY UL		
44	E-EL200B	S BAG CLASSIC		
45	E-63160	MOTOR ASSY - PACKAGED		
46	E-115857-05	SEALING		
47	E-117990-15	HOSE - COOLING 100 MM EPD		
48	E-117990-12	HOSE - COOLING 115 MM EPD		
49	E-117990-16	HOSE - COOLING 135 MM EPD		
50	E-117990-14	HOSE - COOLING 80 MM EPDM		
51	E-117990-13	HOSE - COOLING 65 MM EPDM		
55	E-63157	SPRING PACKAGE	10 in package.	
57	E-63158	SPRING PACKAGE	10 in package.	
58	E-1130289-01	SEAL		
59	E-1128341-41	CORD WINDER CPL UL RIGHT		
60	E-1130608-03	REAR WHEEL		
61	E-1130614-03	REAR WHEEL COVER		
62	E-1096042-03	WHEEL SUPPORT		
63	E-1129038-01	FRONT WHEEL CPL.		
65	E-63147	SPRING PACKAGE	10 in package.	
999	E-1130975-99	CIRCUIT DIAGRAM - L4 UL	Circuit diagram, not shown.	
12	E-1130608-03	REAR WHEEL		



## Accessories - EL7000A

<b>Ref #</b>	<b>Part</b>	<b>Description</b>	<b>Comments</b>	<b>Qty</b>
1	E-1131404-02	HOSE - SUMO ACTIVE	Hose included.	
2	E-54505-5	DUSTING BRUSH - PACKAGED		
3	E-1131407-01	NOZZLE - CREVICE		
4	E-1131400-02	NOZZLE - SUMO ACTIVE		
5	E-EL200B	S BAG CLINIC		
6	E-1131402-02	TUBE - SUMO ACTIVE		
7	E-75985	NOZZLE - FURNITURE		



BI-2000 Brushroll (not shown)

Powerhead - 1131400-02 - Models EL7000A and EL7025A

Ref #	Part	Description	Comments	Qty
1	1131400-02	NOZZLE - SUMO ACTIVE	Sold complete.	