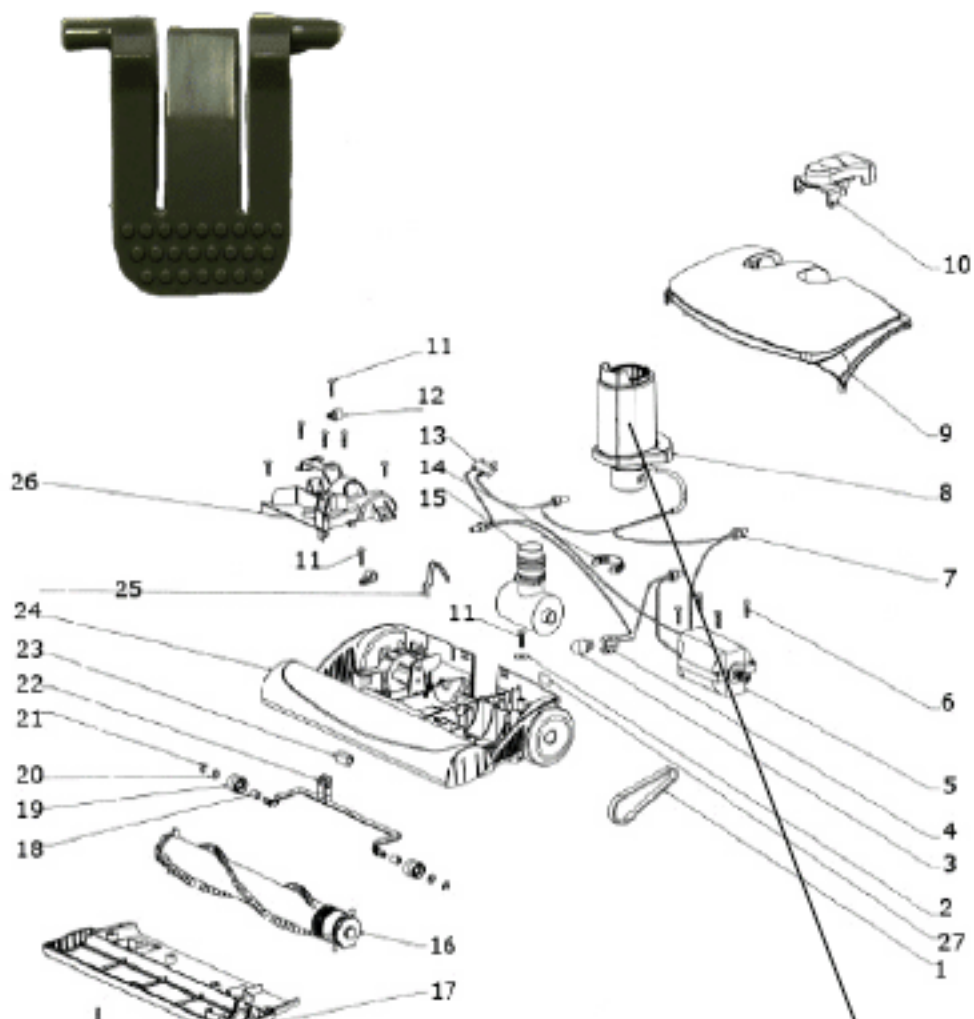


## Canister - EL7055A

Ref #	Part	Description	Comments	Qty
1	E-63606	CYCLONE OUTLET ASSEMBLY		
2	E-63607	DIRT CUP ASSEMBLY		
3	E-63608	FILTER CASSETTE ASSEMBLY		
4	E-900196701/8	TWIN CLEAN FILTERS - PACK		
5	E-1180027-02	SEALING CYCLONE IN/OUT		
6	E-1180086-01	SEALING FILTER LOWER		
7	E-1180011-01	CHAMBER FILTER		
8	E-1180037-01	MOTOR PROTECTION GRID		
9	E-1180056-01	COOLING HOSE		
10	E-63609	FLAP ASSEMBLY		
11	E-63610	CHANNEL & WIRING ASSEMBLY		
12	E-1180080-02	LEVER MICROSWITCH		
13		Micro Switch is part of item 14		
14	E-1180155-51	SWITCH BOARD ASSEMBLY		
15	E-1180010-01	CHAMBER CLEANER		
16	E-6680981-61	FRONT WHEEL		
17	E-1096042-04	WHEEL SUPPORT		
18	E-1180132-51	CABLE		
19	E-1180136-53	Sumo Board		
20	E-1180110-53	MODUL A PCB		
21	E-1180051-01	OUTER HOSE CONNECTION		
22	E-1180000-06	LOWER SHELL		
23	E-63611	REAR WHEEL ASSEMBLY		
24	E-1180084-02	COVER PLUG RECESS		
25	E-1180038-01	COOLING HOSE		
26	E-1180056-02	COOLING HOSE		
27	E-1180045-01	COOLING HOSE	10 Each	
28	E-1180162-01	WIRE TO CORD WINDER		
29	E-1180073-58	CORD WINDER		
30	E-1180003	SEALING MOTOR		
31	E-1130969-02	CABLE - MOTOR TERMO UL		
32	E-63160	MOTOR ASSY.		
33	E-1130292-02	ABSORBENT INNER		
34	E-1130909-01	SUSPENSION - REAR DOM		
35	E-61403-1	SPRING - PKGD		
36	E-1180049-01	RELEASE BUTTON		
37	E-ELD12B	HEPA FILTER PACKAGE		
38	E-1180071-02	Absorbent Rear Filter Lid		
39	E-1180006-01	FILTER LID REAR		
40	E-1180041-01	WHEEL HOUSE COVER LEFT		
41	E-1180042-01	WHEEL HOUSE COVER RIGHT		
42	E-1180039-02	SIDE COVER LEFT		
43	E-1180040-02	SIDE COVER RIGHT		
44	E-1180007-02	DISPLAY BOTTOM		
45	E-1180159-51	DISPLAY BOARD	10 in package.	
46	E-1180081-01	REFLECTOR	10 in package.	
47	E-77538	CLEANER CONTROL & GRPHCS		
48	E-77540	FILTER COVER & GRPHCS ASS		
49	E-63146-1			

E-61743

HANDLE RELEASE PEDAL - NOT SHOWN IN DIAGRAM



Due to manufacturer design changes,  
several styles of elbow/connector assy  
are available.

Refer to images to insure correct  
part is ordered !



E-NUE-003



E-75810-1



E-39970

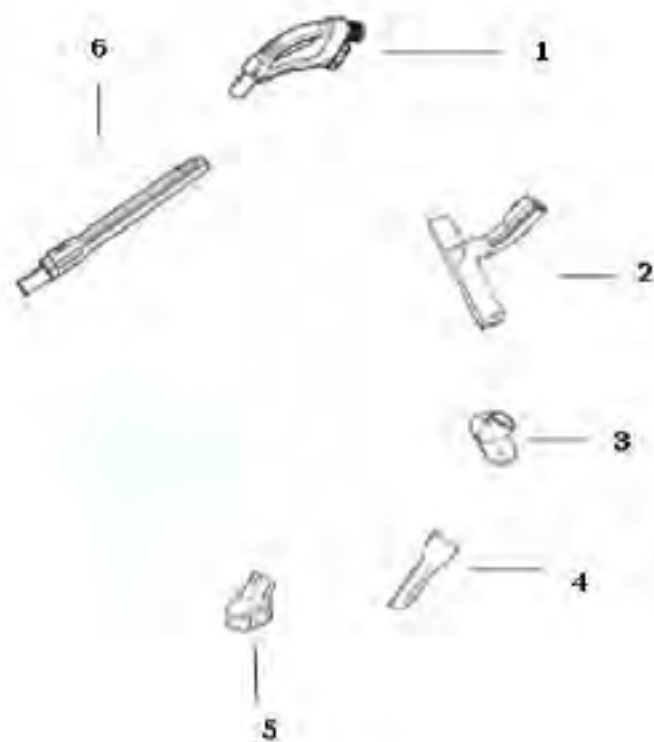
## Powerhead - 75922-4 - EL7055A

Ref #	Part	Description	Comments	Qty
1	E-75614	COGGED BELT		
2	E-63153	WASHER PACKAGE		
3	E-61682	LIGHT BULB		
4	E-61727	LIGHT SOCKET		
5	E-61740-1	POWERHEAD MOTOR		
6	E-63155	SCREW PACKAGE		
16	E-61699-1	BRUSH ROLL ASSY.		
10	E-61728	HEIGHT ADJUSTMENT PEDAL		
9	E-61730-4	HOOD		
11	E-63155	SCREW PACKAGE		
13	E-74594	SWITCH-RESET		
14	E-63154	C-CLAMP PACKAGE		
8	E-75810A-2	WAND RELEASE ASSY		
17	E-61753-1	SOLE PLATE ASSEMBLY		
18	E-76136	INSERT - FRONT WHEEL		
19	E-61750	FRONT WHEEL		
20	E-63153	WASHER PACKAGE		
21	E-61752	E-RING PACKAGE		
22	E-61749	FRONT AXLE		
23	E-61747	CAM BEARING		
24	E-61746-4	BASE ASSEMBLY - PACKAGED		
25	E-61748	Spring		
26	E-61734	AIR DUCT ASSY.		
28	E-75922-1	POWERHEAD ASSY (BETA-SUMO)	Powerhead Assy. complete.	
7	E-58313	WIRE SPLICE 5		
15	E-39973-2	T-JOINT ASSY		
12	E-58430	CLAMP CABLE		

E-61743

HANDLE RELEASE PEDAL (NOT SHOWN IN DIAGRAM)





## Accessories - EL7055A

Ref #	Part	Description	Comments	Qty
1	E-61054-3	Swivel Hose Assy		
2	E-75973-1	FLOOR BRUSH		
3	E-75985	NOZZLE-FURNITURE		
4	E-76250	NOZZLE - CREVICE		
5	E-75986	Dusting Brush - Package		
6	E-75979-1	TELESCOPIC WAND ASSY. (NLA)		
	E-76161-366N	CADDY - TOOL	Not Pictured	